

CS1000



SINGLE POLE POWER CONNECTOR



400 A

- ▶ Up to 400 A/1 000 V
- ▶ Automatic IP66/IP67 water- and dust-tight
- ▶ Mechanical fool-proofing
- ▶ Padlocking ring

MAIN FEATURES

Rated current (with wiring according to standard)	400 A	Shock resistance	IK08
Maximum voltage AC	1 000 V	Ambient temperature	-40 °C to +60 °C
Maximum voltage DC	1 500 V	Flexible wiring (min-max)	50-150 mm ²
Short-circuit current I _{cc}	20 kA pendant 250 ms	Keying positions	5, mechanical and visual
Protection	IP66/IP67	Number of operations	2 000

Perfect safety

- Socket-outlet: IP2X finger protection, without cap,
- IP66/IP67 watertightness with cap ; or upon connection,
- Locking mechanism preventing disconnection by accident.

Easy connection

- Mechanical fool-proofing system between phases, neutral and earth,
- Standardised colour coding (according to local regulation),
- Replacable crimping lug in case of cable damage.

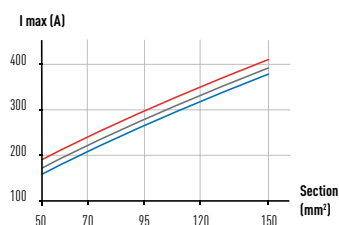
High Performance

Thanks to its silver butt-contact technology the CS1000 connector withstands permanent current of 400 A/1 000 V AC or 1 500 V DC (wiring from 50 to 150 mm²).

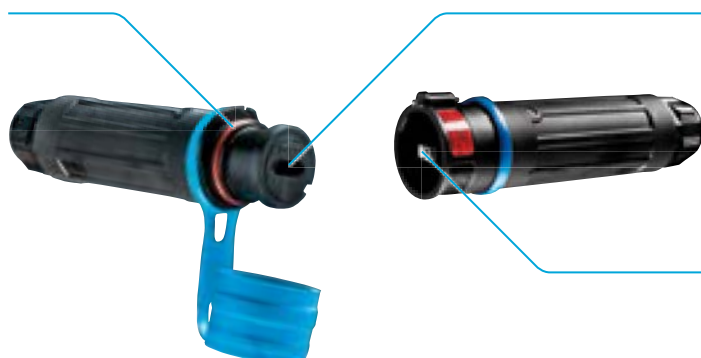
CS1000 electrical rating

Permanent permissible current for a H07RNF cable, at 30 °C ambient temperature

- Maximum permanent permissible current in the CS1000 after 2 000 operations depending on cable cross-section.
- Maximum intensity of permanent current specified by the cable manufacturers to maintain a conductor core temperature < 85 °C.
- NFC 15-100 or the IEC 60 364-5-52 standards to maintain a conductor core temperature < 70 °C.



IP66/IP67 seal ring

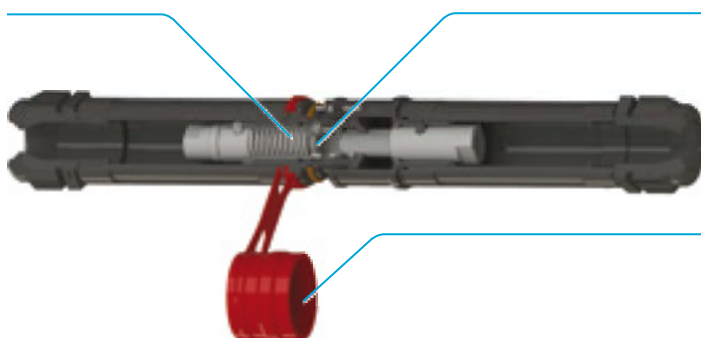


Safety shutter (IP2X protection)

Bayonet operation

Spring Loaded Butt-Style Contacts

Ensures optimal contact force and superior electrical performance over thousands of operations.



Silver-Nickel Contact Material

Solid silver-nickel contact surfaces provide:

- superior conductivity,
- corrosion resistance,
- durability.

Protective Cap

Ensures IP66/IP67 watertightness when disconnected.

CS1000

SINGLE POLE CONNECTOR



INCLINED SOCKET CS1000



Inclined sleeve 30°
453A027



Socket-outlet
453400N

PLUG CS1000



Straight handle poly
453A783



Inlet
453800N

SOCKET-OUTLET female CS1000 (400 A) WITHOUT LUG



INLET male CS1000 (400 A) WITHOUT LUG



COLOR coding

Type	Europe*	Reference	Reference
L1	Brown	4534001	4538001
L2	Black	4534002	4538002
L3	Grey	4534003	4538003
Neutral	Blue	453400N	453800N
Earth	Green	453400T	453800T
Positive	Red	453400P	453800P
Negative	Black	453400M	453800M

* The indicated references are valid for Europe and Japan. For other countries: add the suffix P80 for the USA/P67 for Australia and New Zealand/P40 for UK and South-Africa.

Type	Australia and New Zealand	Reference	Reference
L1	Red	4534001-P67	4538001-P67
L2	White	4534002-P67	4538002-P67
L3	Blue	4534003-P67	4538003-P67
Neutral	Black	453400N-P67	453800N-P67
Earth	Green	453400T-P67	453800T-P67
Positive	Red	453400P-P67	453800P-P67
Negative	Black	453400M-P67	453800M-P67

Type	USA	Reference	Reference
L1	Black	4534001-P80	4538001-P80
L2	Red	4534002-P80	4538002-P80
L3	Blue	4534003-P80	4538003-P80
Neutral	White	453400N-P80	453800N-P80
Earth	Green	453400T-P80	453800T-P80
Positive	Red	453400P-P80	453800P-P80
Negative	Black	453400M-P80	453800M-P80

5 MECHANICAL KEYING POSITIONS (EUROPEAN COLOR CODING)



COPPER LUGS

Lug choice depends on the cable: the cross-section of the flexible cable mentioned in the table below is for information only. Please check dimensions as these may vary according to cable types and manufacturers.



Wiring (mm ²)		Straight with hole ⁽¹⁾	Straight threaded M12 ⁽²⁾	Internal diameter (mm)
Flexible	Stranded	Reference	Reference	
50	70	454A50C	454A50D	11
70	95	454A70C	454A70D	13,1
95	120	454A95C	454A95D	14,5
120	150	454A12C	454A12D	16,2
150	185	454A15C	454A15D	18

[1] For female socket-outlet.

[2] For male contact, wiring with crimping lugs, according to NF C20-130 standard (for VDE 0220 standard, please contact us). Crimping: Double hexagonal crimping is recommended.

PADLOCKING ring	SLEEVE** inclined 30° with adapter plate	ADAPTER plate	HANDLE straight	INLET cap
453A843	453A027	453A540	M32	453A753 14-25 mm
			M40	453A783 18-32 mm

** The inclined sleeve is recommended to reduce cable weight effect.

ACCESSORIES AND OPTIONS

Additional unlocking key



453A396



DIMENSIONS

CS1000

