

MULTICONTACT CONNECTORS



FIND ALL INFORMATION
ON OUR WEBSITE:



marechal.com




Dimensions
and certificates



PXN12C P. 190


MULTICONTACT CONNECTORS

-  II2 G D Ex e IIC, Ex tb IIIC
- Up to 12 contacts
- Locking in connected or disconnected position
- Corrosion-free metal casing



DXN25C P. 191


MULTICONTACT CONNECTORS

-  II2 G D Ex e IIC, Ex tb IIIC
- Up to 25 contacts
- Locking in connected or disconnected position
- Corrosion-free metal casing



DXN37C P. 192

MULTICONTACT CONNECTORS

-  II2 G D Ex e IIC, Ex tb IIIC
- Up to 37 contacts
- Locking in connected or disconnected position
- Corrosion-free metal casing



PXN12C, DXN25C and DXN37C multicontact connectors comply with:

- The ATEX 2014/35/EU Directive,
- IEC/EN 60079-0, IEC/EN 60079-7 and IEC/EN 60079-31 International standards
- The French NF C 15-100 standard,
- The decrees relating to workers' protection in Belgium, Spain and Italy,

Also certified by LCIE (ATEX and IECEx) and NANIO (TR CU EAC) (French and Russian European and international notified bodies).

PXN12C

 MULTI-CONTACT CONNECTORS 

10 A IP65/IP66



**WALL MOUNTING
SOCKET PXN12C**



Wall box 30°
06A0001



PLUG PXN12C



Plug
06A1001

MAIN FEATURES

Rated current (with wiring according to standard)	4-20 mA/10 A	Ambient temperature	-40 °C to +55 °C
Maximum voltage	220 V	Flexible wiring (min-max)	1-2,5 mm ²
Number of contacts	11C+E	Wiring (terminals)	crimping
IP protection lid closed	IP65/IP66	Protection mode	e or i, tb
IP protection plug connected	IP65/IP66	ATEX zones	1 & 2, 21 & 22
Shock resistance	IK09	Keying positions	2

Connection or disconnection
screw locking imprint BTR 2.5.

WALL mounting socket
female
PXN12c (10 A)



PLUG male
PXN12c (10 A)



M25	06A000125M	9-16 mm	M25	06A100125M	9-16 mm
M32	06A0001	12-21 mm	M32	06A1001	12-21 mm

INCLINED socket
female
PXN12c (10 A)



INCLINED
appliance inlet male
PXN12c (10 A)



06A7001

06A9001

COUPLER socket
female
PXN12c (10 A)




WALL mounting
appliance inlet male
PXN12c (10 A)



M25	06A300125M	9-16 mm	M25	06A600125M	9-16 mm
M32	06A3001	12-21 mm	M32	06A6001	12-21 mm

MARECHAL ELECTRIC FRANCE

 II 2 G D Ex e IIC Gb Ex tb IIIC Db
-40 °C ≤ Ta ≤ +55 °C T5 T69 °C

Ex ia or ib IIC T6 Gb

IECEX LCIE 14.0041X/LCIE 07 ATEX 6070X

INFOS +

Each product is supplied with 1 bag of 13 contacts depending on the maximum configuration.
This allows you to set up the product to suit your needs.

DXN25C

MULTI-CONTACT CONNECTORS METAL

10 A IP66/IP67



WALL MOUNTING SOCKET DXN25C



Wall mounting socket
36D0002

PLUG DXN25C



Plug
36D1002

MAIN FEATURES

Rated current (with wiring according to standard)	4-20 mA/10 A	Ambient temperature	-40 °C to +55 °C
Maximum voltage	440 V	Flexible wiring (min-max)	1-2,5 mm ²
Number of contacts	24C+E	Wiring (terminals)	crimping
IP protection lid closed	IP66/IP67	Protection mode	e or i, tb
IP protection plug connected	IP66/IP67	ATEX zones	1 & 2, 21 & 22
Shock resistance	IK09	Keying positions	3

Locking position connected or disconnected by lockable shaft.

Other accessories on request

WALL mounting socket female
DXN25c (10 A)



PLUG male
DXN25c (10 A)



M32	36D000232M	12-21 mm	M32	36D100232M	12-21 mm
M40	36D0002	16-27 mm	M40	36D1002	16-27 mm

INCLINED socket female
DXN25c (10 A)



INCLINED appliance inlet male
DXN25c (10 A)



36D7002

36D9002

COUPLER socket female
DXN25c (10 A)



WALL mounting appliance inlet male
DXN25c (10 A)



M32	36D300232M	12-21 mm	M32	36D600232M	12-21 mm
M40	36D3002	16-27 mm	M40	36D6002	16-27 mm

MARECHAL ELECTRIC FRANCE

II 2 G D Ex e IIC Gb Ex tb IIIC Db
 -40 °C ≤ Ta ≤ +40 °C T6 T51 °C
 -40 °C ≤ Ta ≤ +60 °C T5 T71 °C
 Ex ia or ib IIC T6 Gb
 IECEx LCIE 14.0040X/LCIE 09 ATEX 3050X

INFOS +

Each product is supplied with 2 bags of 13 contacts depending on the maximum configuration. This allows you to set up the product to suit your needs. Delivered with padlocking shaft.

DXN37C



MULTI-CONTACT CONNECTORS METAL

10 A IP66/IP67



WALL MOUNTING SOCKET DXN37C



Wall mounting socket
36C0003



PLUG DXN37C



Plug
36C1003

MAIN FEATURES

Rated current (with wiring according to standard)	10 A	Ambient temperature	-40 °C to +55 °C
Maximum voltage	230 V	Flexible wiring (min-max)	1-2,5 mm ²
Number of contacts	36C+E	Wiring (terminals)	crimping
IP protection lid closed	IP66/IP67	Protection mode	e or i, tb
IP protection plug connected	IP66/IP67	ATEX zones	1 & 2, 21 & 22
Shock resistance	IK09	Keying positions	3

Locking position connected or disconnected by lockable shaft.

WALL mounting socket female
DXN37c (10 A)



PLUG male
DXN37c (10 A)



Other accessories on request

M32	36C000332M	12-21 mm	M32	36C100332M	12-21 mm
M40	36C0003	16-27 mm	M40	36C1003	16-27 mm

INCLINED socket female
DXN37c (10 A)



INCLINED appliance inlet male
DXN37c (10 A)



36C7003

36C9003

COUPLER socket female
DXN37c (10 A)



WALL mounting appliance inlet male
DXN37c (10 A)



M32	36C300332M	12-21 mm	M32	36C600332M	12-21 mm
M40	36C3003	16-27 mm	M40	36C6003	16-27 mm

MARECHAL ELECTRIC FRANCE



II 2 G D Ex e IIC Gb Ex tb IIIC Db

-40 °C ≤ Ta ≤ +40 °C T6 T56 °C

-40 °C ≤ Ta ≤ +55 °C T5 T76 °C

Ex ia or ib IIC T6 Gb

IECEx LCIE 14.0038X/LCIE 07 ATEX 6071X

INFOS +

Each product is supplied with 3 bags of 13 contacts depending on the maximum configuration. This allows you to set up the product to suit your needs. Delivered with padlocking shaft.





OPTIONS

SIMPLE ASSEMBLY AND DISASSEMBLY



Assembly








To insert contacts when they have been wired is simple. Push wired contact into rear of insulator until it stops to complete the installation.

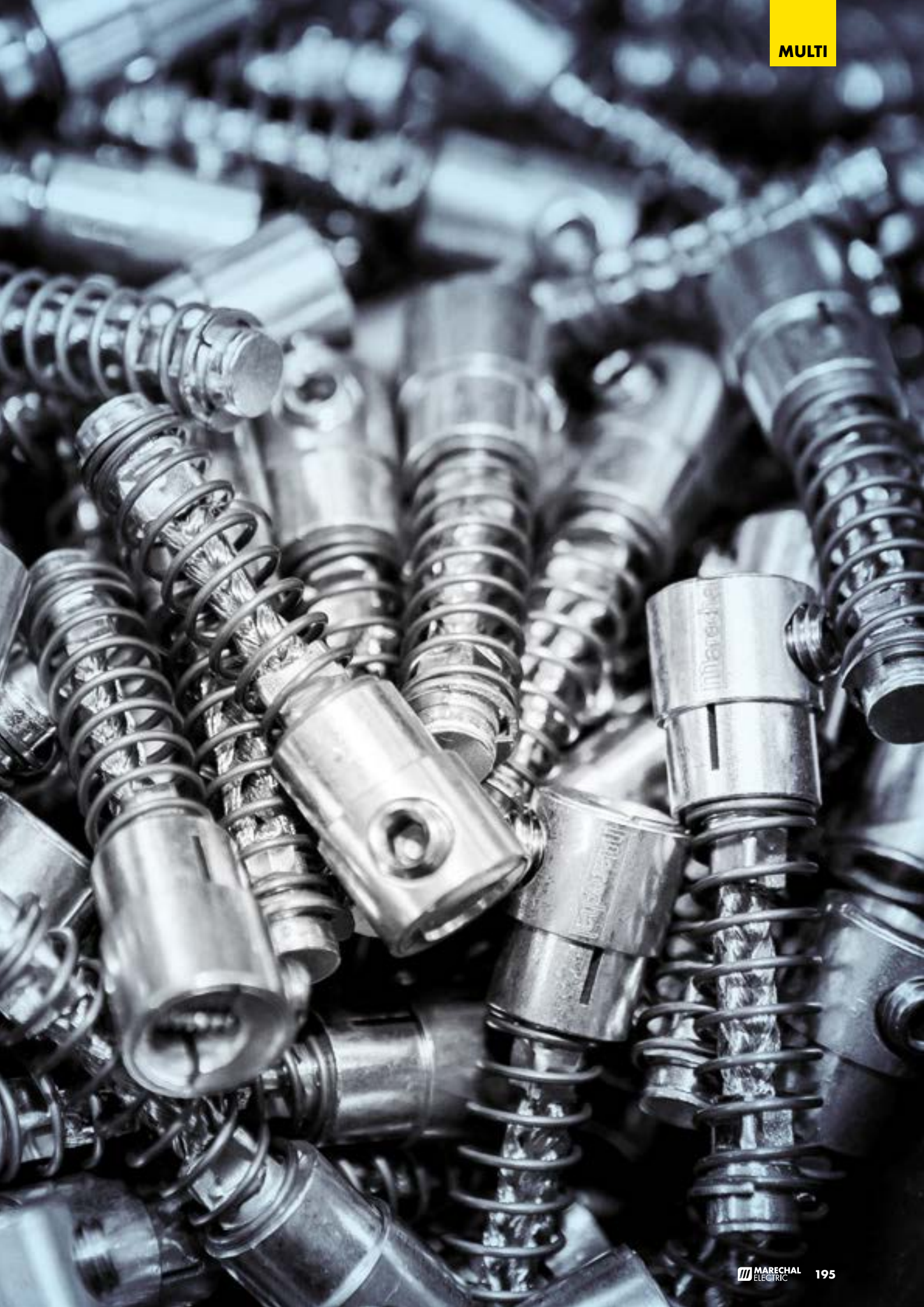
Disassembly

To remove, use the tool provided. Push tool from front onto contact until tool stops. Contact is then released at rear of insulator.

Fast wiring

- Cable conductors: 1 mm² to 2,5 mm².
- Before wiring, equip each conductor with a heat-shrink sleeve or an insulating sleeve.
- After wiring, cover the visible portion of the contact with the sleeve.
- Crimp the contact with a KNIPEX crimping tool P/N° 61CA500 or a GREENLEE crimping tool P/N° 45505.
- Use the 4 mm² footprint whatever the conductor cross-section.
- Perform a double crimping in compliance with CEI 60352-2 standard.
- Conductors can equally be soldered.

	PXN12C	DXN25C	DXN37C
BAG OF 13 FEMALE CONTACTS			
	Ref. 01AA213	Ref. 01AA213	Ref. 01AA213
BAG OF 13 MALE CONTACTS			
	Ref. 01AA113	Ref. 01AA113	Ref. 01AA113
REMOVAL KEY			
	Ref. 61CA593	Ref. 61CA593	Ref. 61CA593
CRIMPING TOOL			
	Ref. 61CA500	Ref. 61CA500	Ref. 61CA500
HELAVIA SLEEVE EXPANSION TOOL			
	Ref. 61CA400	Ref. 61CA400	Ref. 61CA400
BAG OF 13 HEAT SHRINK INSULATION SLEEVES			
	Ref. 61CA083	Ref. 61CA083	Ref. 61CA083
INLET CAP			
	Ref. 012A126		
 IP66/67		Ref. 313A426	Ref. 313A426

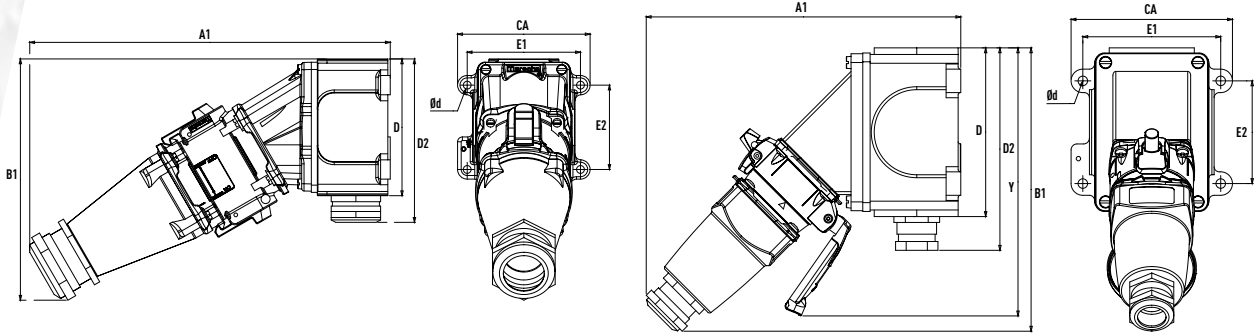




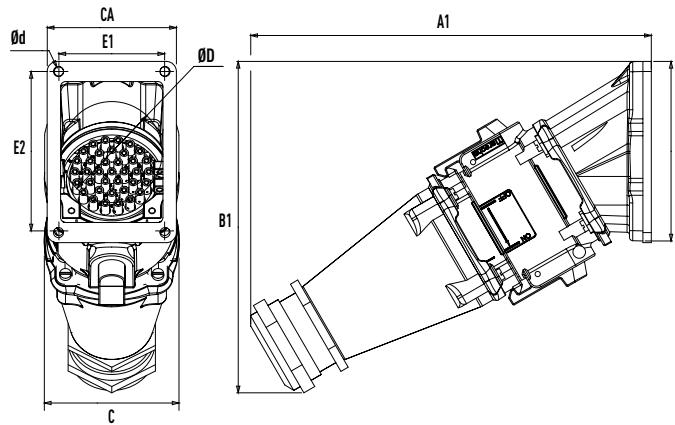
DIMENSIONS

DXN25c/DXN37c

PXN12c

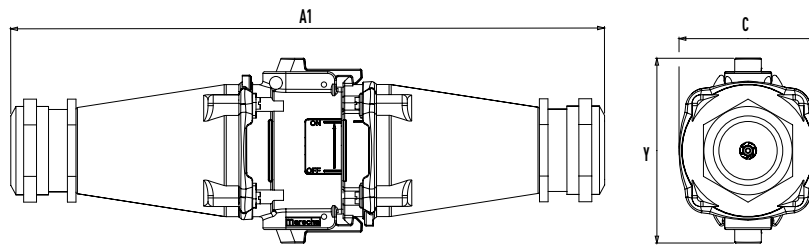


	A1	B1	D	D2	CA	E1	E2	Ød*
DXN25c/DXN37c	299	200	114	136	110	94	70	6,5
PXN12c	213	193	114	142	110	94	70	6,5

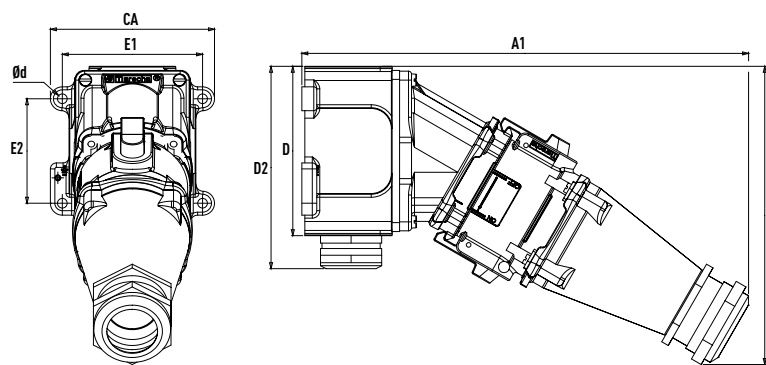


	A1	B1	CA	D	E1	E2	Ød*	ØD max
DXN25c/DXN37c	239	197	77	107	63	95	5,5	60
PXN12c	153	189	77	107	63	95	6	60

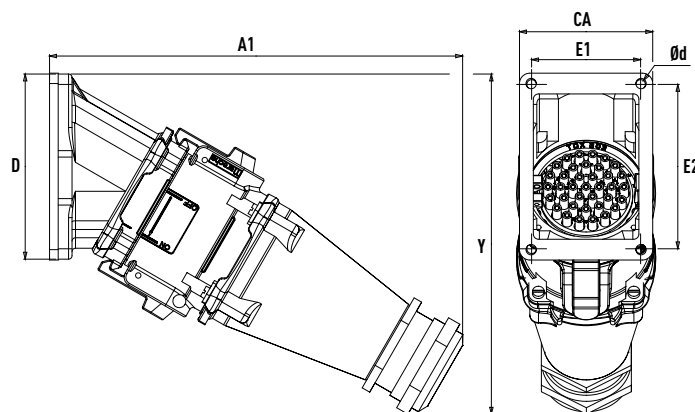
*Ød : maximum drilling diameter.



	A1	C	Y
DXN25c/DXN37c	346	80	108
PXN12c	246	58	87



	A1	CA	D	D2	E1	E2	Y	Ød*
DXN25c/DXN37c	299	110	114	136	94	70	200	6,5
PXN12c	213	110	114	142	94	70	193	6,5



	A1	CA	D	E1	E2	Y	Ød*	ØD max
DXN25c/DXN37c	239	77	107	63	95	197	5,5	60
PXN12c	153	77	107	63	95	189	6	60

*Ød : maximum drilling diameter.