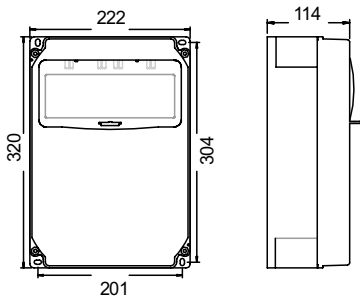


# Thermoplastic insulated distribution boxes **DELTA**<sup>▲</sup>

## Series ANIF4



### Series ANIF4

- **Socket outlet combination acc. EN 61439**
- Housing made of high durable PC/ABS, compact design
- **Dimensions HxWxD = 320x222x114 mm**
- Switchgear up to 10 modules, behind transparent window
- Ready wired for connection
- **IP54** (IP67 on request)

### Standard version:

- All outer metal parts made out of stainless steel, captive screws
- Switchgear built in under impact resistant window
- Ready wired on main connecting terminal for wiring through (max. 5x25mm<sup>2</sup> / 5x16mm<sup>2</sup> YF)
- Opening for cable gland on top, blind cap on bottom
- CEE-sockets and safety sockets made of PA6, contacts nickel plated, sockets individual exchangeable

Layout examples: (other combinations on request!)

Layout	CEE 400V 5p			SS 250V	Protection		Connection	InA RDF	Cat.No.
	63A	32A	16A	16A	RCD	MCB			
			2	4		2xMCB 16A 3p-C 4xMCB 16A 1p-B	1xM25 (hole) top, 1xM25 (blind cap) bottom	InA 32A RDF 0,5	<b>9134029</b>
		1	1	4		1xMCB 32A 3p-C 1xMCB 16A 3p-C 4xMCB 16A 1p-B	1xM32 (hole) top, 1xM32 (blind cap) bottom	InA 40A RDF 0,5	<b>9134227</b>
		1	1	4	1xRCD 63A/4/0.03A (TYPE A 40AT)	1xMCB 16A 3p-C 2xMCB 16A 1p-B	1xM25 (hole) top, 1xM25 (blind cap) bottom	InA 32A RDF 0,7	<b>9134520</b>
				<b>CEE 16A 3p</b> 4*	4xRCBO 16A 2p C 30mA TYPE A		1xM25 cable gland (ø13-18mm) bottom 4xCEE-sockets 16A 3p 230V lockable with padlock	InA 32A RDF 0,7	<b>9134194</b>

- 🔒 \* Lockable CEE sockets (16A 3p 230V) can be locked with padlock (size 30 or 40mm). Hinged window can also be locked with padlock. Perfectly suited for special occasions! e.g.: camping / marina,...



9134194

InA= Rated current of switchgear and control gear assembly; RDF = Rated diversity factor