



Dear Sir or Madam,

Through this catalogue we are proud to present you our newest products and implemented technologies. Our mission is to provide our Customers with the best offer and complex solution to their problems for a fair price. For many years we have been consistently enriching our offer. The outcome is the latest edition of the catalogue, consisting of our own original products as well as proposed components of recommended companies. We also present developed possibilities of completing the delivery of the final product according to individual needs and requirements of the Customer.

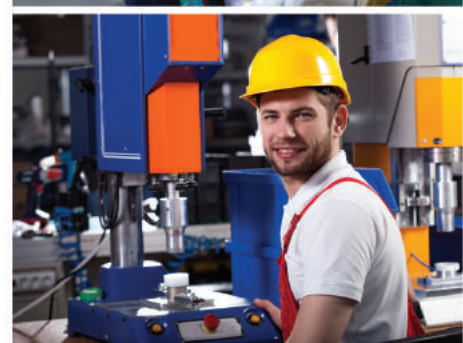
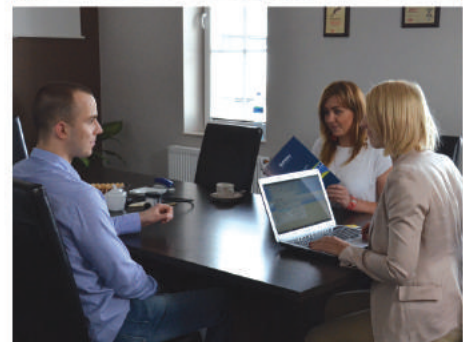
From the very beginning of our company, we adhere to the principle of reconciling modern technology of manufacturing and management with the traditions of merchant reliability. A few years ago the company launched a new production plant in Gdansk (Poland) which is located close to the headquarters in Pruszcz Gdanski. We offer our solution in Poland and many other countries including among others all European countries, United States of America, Canada and Australia. We strive to treat everyone individually by establishing flexible terms of cooperation so that both sides can safely focus on their development.

Among the leading manufacturers, we have selected dozens of suppliers that ensure and guarantee the highest standard of delivered goods and solutions.

Over 50% increase in sales revenues for the last three years is an outcome of creating and implementing a very good development strategy of Radiolex company. It resulted in a significant growth in both investment and employment.

We look forward to doing business with you!

The Board of Radiolex Company



Scope of delivery:  
modern solutions and traditional solidarity.



Research and Development Center of Radiolex (CBR) has been operating since 2013 based on the ISO 9001: 2008 procedure.

The CBR includes substantive representatives of all departments of the company:

- Design department
- Production department
- Sales department
- Legal and organizational department
- Marketing department
- Financial department



Thanks to the fruitful cooperation of all departments of the company we managed to build a cell in which the most important decisions regarding the functioning and development of the entire enterprise are made. It is also a place where we set the directions for development of our product offer.

The priority of our company is to improve the quality of products. Significant problems reported by customers and internal or external auditors are discussed and solved during the meetings as the company's priority is to achieve the highest quality of service and products.



## THE ETHICS CODE OF RADIOLEX

ZW Radiolex Sp. z o.o. undertakes to maintain the highest standards of responsibility for the natural environment, safety, hygiene and ergonomics of work and treating all employees with due dignity and respect.

The above obligation also applies to all our suppliers, who are verified by the implemented quality procedures based on global standards.

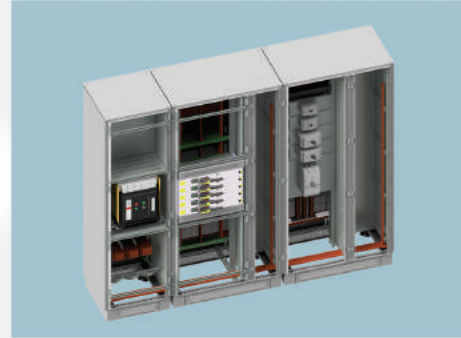
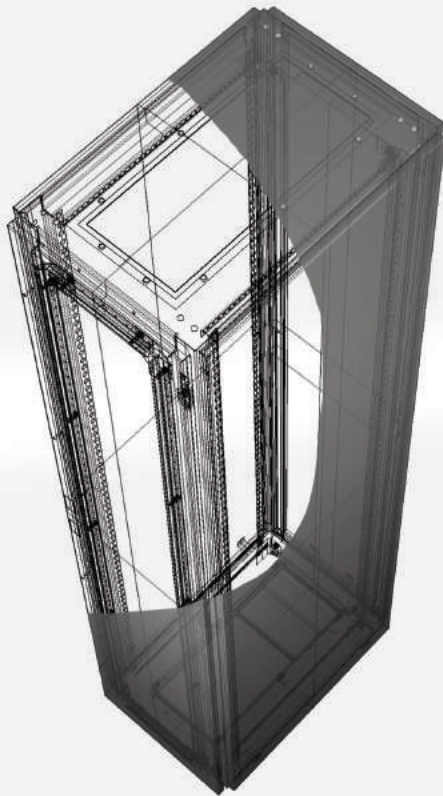




The strength of our offer is the design team who prepare a documentation for each production task. The highest qualifications of the engineering staff guarantee satisfaction of our Customers. You can find a complete documentation of our products on our website: [www.radiolex.pl](http://www.radiolex.pl)

We provide files necessary to prepare an individual project in 3D (.stp) and 2D (.dxf).

For above-standard expectations of the customers; regarding functions, ergonomics and aesthetics of cabinets; we - together with a Sopot-based, Borucki Studio Design company - will help you to find a satisfactory solution. Our long-term cooperation confirms the advantages of this offer.



### Disclaimer:

*We have made every effort to ensure that the information contained in this catalogue is correct and up-to-date as of the date of issue. However, due to the constant desire to improve our products, we reserve the right to make changes to the documentation without prior notice.*



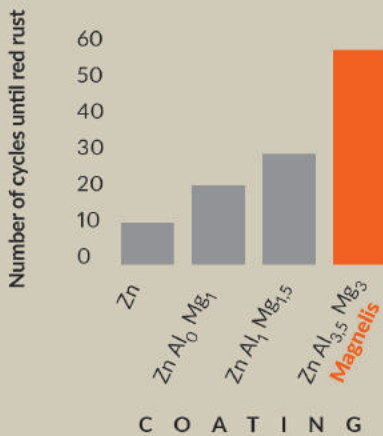
Go to the online library!

Scope of delivery:  
modern solutions and traditional solidarity

# Magnelis®

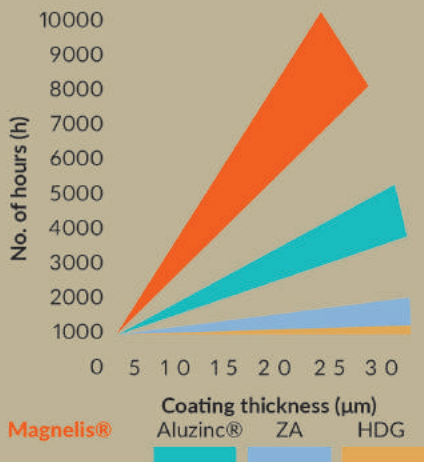


Corrosion resistance in cyclic test for different Zn, Al, Mg compositions



10 µm of coating submitted for an alternating cycle of 8 hours: fog cycle (5% NaCl)/dry cycle/humidity cycle

No. of hours before appearance of 5% red rust



Corrosion resistance by salt spray test (average):  
 Magnelis®: > 200 h/µm - Aluzinc®: ±100 h/µm - ZA: ± 25 h/µm  
 Hot dip galvanised (HDG): ± 8-10 h/µm

Magnelis® is an exceptional metallic coating which provides a breakthrough in corrosion protection and is the best choice for a wide variety of applications.

Thanks to its unique composition, Magnelis® provides an unprecedented level of surface and cut-edge protection, even in the most hostile environments.

Thanks to its unique properties, it provides long-lasting surface protection in a whole range of applications:

- Eco-friendly
- Self-healing on cut edges
- Superior corrosion resistance in chloride and ammonia atmospheres

The chemical composition of the Magnelis® coating has been optimized to obtain the best anti-corrosion properties. Compared to the galvanized steel Magnelis® provides up to ten times higher corrosion resistance.

The destruction of coating that occurs in an ammonia environment is seven times less with Magnelis® than with a standard zinc coating.

In addition, the Magnelis® coating provides long-lasting active protection of the sheet.

Magnelis® offers a real advantage over post-galvanised products (with a ZM coating weight greater than 250 g/m<sup>2</sup>) and even over high value products such as stainless and aluminium. Depending on the environment to which it is exposed, Magnelis® delivers a significant coating weight reduction of 2 to 4 times less than post-galvanised products, while still performing significantly better in terms of corrosion resistance and cost-effectiveness.

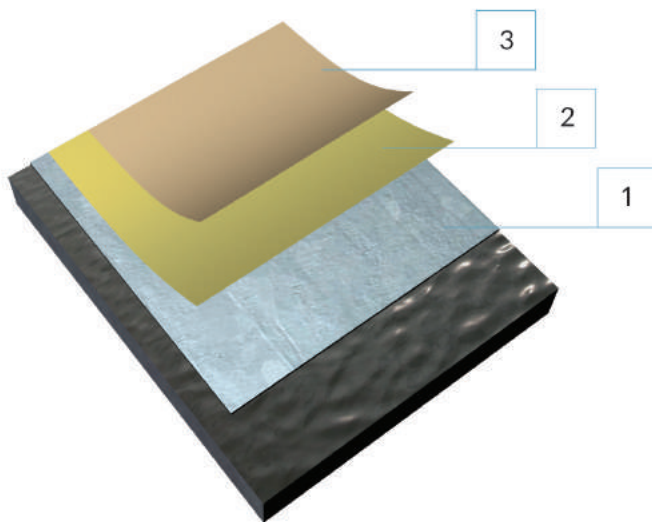




## TRIPLE SHIELD™ TECHNOLOGY MODERN SOLUTION FOR OUTDOOR ENCLOSURES PROTECTION

Triple Shield™ means optimal anti-corrosion protection, which consists of three independent layers protecting the enclosure surface:

- 1 - hot-dip galvanization
- 2 - epoxy primer
- 3 - polyester topcoat



External enclosures manufactured in Triple Shield™ technology are the proprietary Radiolex solution providing the highest quality while remaining cheaper than the equivalent of aluminum or stainless steel enclosures.

Check our outdoor enclosures marked as: SZA, SZB, SZC, SZS.



Scope of delivery:  
modern solutions and traditional solidarity.

The marking of the IP protection class consists of two characteristic numerals. Example of a given protection class: **IP 43**:  
Identification letters: **IP**; First characteristic numeral: **4**; Second characteristic numeral: **3**

Degrees of protection for protection against contact and foreign bodies:			Degrees of protection for protection against water:		
First digit			Second digit		
First characteristic numeral	Scope of protection		Second characteristic numeral	Scope of protection	
	Name	Description		Name	Description
1	Protected against solid foreign objects with a diameter of 50 mm and greater	The object probe, a sphere 50 mm in diameter, must not penetrate fully <sup>1</sup> .	1	Protected against dripping water	Vertically falling drops shall have no harmful effects.
2	Protected against solid foreign objects with a diameter of 12.5 mm and greater	The object probe, a sphere 12.5 mm in diameter, must not penetrate fully <sup>1</sup> . The articulated test finge may penetrate up to its length of 80 mm, but adequate distance must be adhered to <sup>1</sup> .	2	Protected against dripping water when tilted at 15°	Vertically falling drops must not have any harmful effects when the enclosure is tilted up to 15° on either side of the vertical.
3	Protected against solid foreign objects with a diameter of 2.5 mm and greater.	The object probe, a sphere 2.5 mm in diameter, must not penetrate at all <sup>1</sup> .	3	Protected against spraying water	Water sprayed at an angle of up to 60° on either side of the vertical shall have no harmful effects.
4	Protected against solid foreign objects with a diameter of 1.0 mm and greater	The object probe, a sphere 1.0 mm in diameter, must not penetrate at all <sup>1</sup> .	4	Protected against spraying water	Water splashed on the enclosure from any direction shall have no harmful effects.
5	Dust-protected	The ingress of dust is not fully prevented, but dust may not enter to such an extent as to impair satisfactory operation of the device or safety.	5	Protected against water jets	Water directed at the enclosure from any direction in a jet shall have no harmful effects.
6	Dust-tight	No ingress of dust at a partial vacuum of 20 mbar inside the enclosure.	6	Protected against powerful water jets	Water directed at the enclosure from every direction in a powerful jet shall have no harmful effects.
			7	Protected against the effects of temporary immersion in water	Water must not ingress to such an extent as to cause harmful effects when the enclosure is temporarily immersed in water under standardised pressure and time conditions.
			8	Protected against the effects of continuous immersion in water	Ingress of water in quantities causing harmful effects shall not be possible when the enclosure is continuously immersed in water under conditions to be agreed between the manufacturer and the user. However, the conditions must be more difficult than for characteristic numeral 7.
			9K <sup>2</sup>	Protected against water during high-pressure/ steam-jet cleaning	Water directed at the enclosure from every direction under greatly increased pressure must not have any adverse effects.

# IP

<sup>1</sup> The full diameter of the object probe shall not pass through an opening of the enclosure.

<sup>2</sup> This test is not included within the scope of the PN-EN 60529: 2003 standard but DIN 40 050, part 9.

Corrosivity categories		Examples of typical environments in a temperate climate (informative only)	
		Interior	Exterior
C1	very low	Heated buildings with clean atmospheres, e.g. offices, shops, schools, hotels.	Not applicable.
C2	low	Unheated buildings where condensation may occur, e.g. depots, sports halls.	Atmospheres with low level of pollution, mostly rural areas.
C3	medium	Production rooms with high humidity and some air pollution e.g. food-processing plants, laundries, breweries, dairies.	Urban and industrial atmospheres, moderate sulphur dioxide pollution e.g. coastal area with low salinity.
C4	high	Chemical plants, swimming pools, coastal, ship and boatyards.	Industrial areas and coastal areas with moderate salinity.
C5-I	very high (industrial)	Buildings or areas with almost permanent condensation and high pollution.	Industrial areas with high humidity and aggressive atmosphere.
C5-M	very high (marine)	Buildings or areas with almost permanent condensation and high pollution.	Coastal and offshore areas with high salinity.

**\*Information on determining the corrosivity class for aluminum sheet products:**

The PN EN ISO 12944-2: 2001 standard applies only to steel and it determines corrosive environments for it on the basis of corrosion losses in a given time. There is no equivalent to this standard for aluminum sheet.

The resistance of the paint system to a specific environmental corrosivity class is determined by the time that the sample lasts in a neutral salt chamber (NSS).

The NSS test is too mild for aluminum, which is why aluminum samples are tested in an acid salt chamber (AASS). The results of steel tests in NSS and aluminum in AASS are incomparable, which is why it is impossible to assign aluminum products to corrosion classes for steel. In the further part of the catalog, the corrosivity class for aluminum sheet casings is only indicative.

**\*\*Information on determining the corrosivity class for stainless steel and acid-proof products:**

Classification of noble metals for applications in a given corrosive environment was made based on the PN-EN 10088-1-5 standard, describing the grades of corrosion-resistant stainless steels and on the basis of the characteristic properties of these steels.

As a general rule, it should be assumed that if the chloride ion is present in high concentration in the environment, an acid-resistant product 1.4404 (AISI 316L) should be selected.

It should also be remembered that the regular surface preservation of elements also affects the achievement of high corrosion resistance.

As a rule the product made of stainless steel 1.4301 (AISI 304) or acid-proof 1.4404 (AISI 316L) is not painted. It is possible to paint these products but requires special preparation and is not recommended due to cutting off the oxygen supply, which causes a deterioration of the corrosion resistance of these steels.

# Table of contents ENCLOSURES



• OZ IP 66 - Terminal box		10	
• RSA IP 66 - Compact enclosure		12	
• SZA IP 55 - Compact outdoor enclosure		15	
• RSB IP 55 - Standard enclosure		18	
• SZB IP 55 - Standard outdoor enclosure		21	
• SZS IP 66 - Reinforced outdoor enclosure		24	
• RR IP 55 - Rack enclosure		27	
• RSA-ATEX IP 66 - Compact enclosure		31	
• OZ-ATEX IP 66 - Terminal box		34	
• ARCA IEC IP 66 - Polycarbonate enclosure		36	
• RSC IP 66 - 19-inch compact enclosure		38	
• SZC IP 55 - 19-inch compact outdoor enclosure		38	
• PS IP 55 - Control enclosure		40	
• PM IP 65 - Monitor enclosure		42	
• Modulor EPE		44	
• ZK IP 44 - Cable connector enclosure		46	
• SKR IP 44 - Cable-distribution thermosetting cubicles		48	
• RB IP 44 - Construction site enclosure		50	
• Z IP 55 - Cable enclosure		51	
• SWRS IP 20 - Station switchgear enclosure		52	
• TPP - Enclosure for semi-indirect measurement system board		54	
• RWX IP 32 - Recessed enclosure		55	
• DR - Revision door		62	
• OG - Gas meter box		63	
• ZELP - Storey enclosure		66	
• DSZ IP 55 - Outdoor double-wall access system enclosure		67	
• STL IP 20 - Standard IT enclosure		70	
• NRS-2 IP 55 - Double section 19-inch enclosure		73	
• NSK IP 20 - Recessed 19-inch enclosure		74	
• NK-1 IP 20 - Small 19-inch enclosure		75	
• NK-2 IP 20 - Small double section 19-inch enclosure		76	
• NU IP 20 - Small 19-inch enclosure with removable covers		77	
• IT Assembly / Others		78	

Outdoor enclosures

Explosion protection enclosures







<b>SERVICE SYSTEMS OF ENCLOSURES</b>		
• Regulation and supervision (thermostats, hygrometers)	80	
• Ventilation system	81	
• Semiconductor heaters	82	
• Fan heaters	83	
• Enclosure lighting	84	
• Air conditioning	85	
<b>LOCKING SYSTEMS</b>		
• Locks and accessories	90	
• Hinges	92	
• Door restrictors	92	
<b>INTERNAL MOUNTING SYSTEMS</b>		
• Mounting plates	94	
• Vertical beams	100	
• Modular constructions	102	
• Internal door	106	
• Grounding	111	
• Accessories for IT enclosures	112	
<b>EXTERNAL MOUNTING SYSTEMS</b>		
• Plinths	115	
• Cable Management	119	
• Side panels for RR	122	
• Blank covers and roofs	124	
• Reinforced concrete foundation	129	
<b>MOUNTING SYSTEMS</b>		
• Wall brackets	130	
• Mast holders	131	
• Brackets and extension arms	132	
• System racks	133	
• Mounting accessories for RWX	134	
• Support accessories for cable enclosures	135	
• Fasteners and others	136	
<b>TECHNICAL DOCUMENTATION</b>		
	140	



## Terminal box OZ IP 66

OZ – is a small wall-mounted enclosure with compact dimensions and high tightness. The standard offer includes 24 dimensions. Tables with catalogue numbers are available on the following pages of the catalogue.



Download product data sheet!

Type	Corrosivity category	Material / additional description	Coating
OZ-ST	C2	steel sheet	RAL7035
OZ-ZN	C3	steel sheet + epoxy primer	RAL7035
OZ-AL	C3*	aluminum sheet	RAL7035
OZ-OH	C4**	stainless steel 1.4301 (AISI 304)	BRUSHED
OZ-KO	C5-l (M)**	acid-proof steel 1.4404 (AISI 316L)	BRUSHED

### General information:

- Ingress protection according to IP code: 66
- Impact resistance according to IK code: 10
- Operating temperature range: -30°C – +80°C

### Basic data:

- Body: monobloc type, welded
- Closure: cover closed with four screws (1/4 turn – fast closure) provided with lock washers to ensure tight closing
- Grounding: threaded grounding studs in the cover and enclosure body
- Other information: There are perforated angle bars inside the enclosure for mounting TS-35 rail or mounting plate.

Description	Page
DIN rails TS-35	94
Mounting plates	94
Modular covers	94
Wall brackets	130
Ventilation	81

### Additional options:

- Increase of the operating temperature range from -50 to +120°C
- Unusual dimensions
- Punching in the door, body or mounting plate
- Painting to any color according to the RAL palette

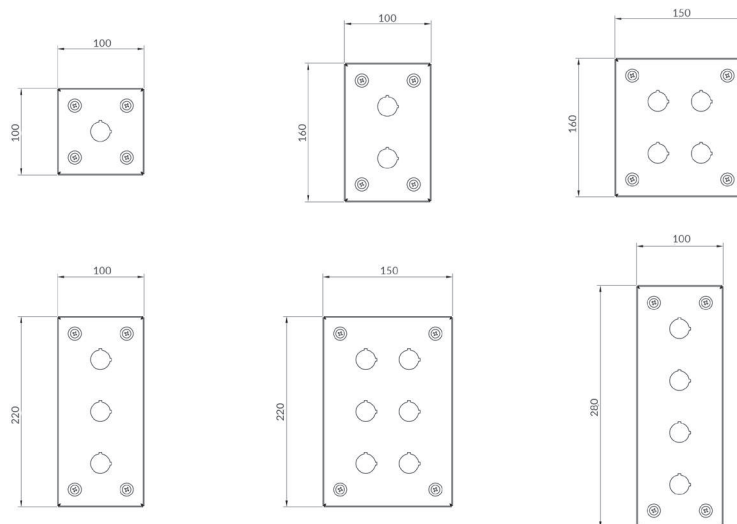
The technical documentation is available on pages 140–141

The following table presents empty enclosures.

No.	Dimensions (W × H × D mm)	Catalogue No. OZ-ST	Catalogue No. OZ-ZN	Catalogue No. OZ-AL	Catalogue No. OZ-OH	Catalogue No. OZ-KO
1	150 × 150 × 80	170-001	170-101	170-201	171-001	172-001
2	200 × 150 × 80	170-002	170-102	170-202	171-002	172-002
3	200 × 200 × 80	170-003	170-103	170-203	171-003	172-003
4	200 × 250 × 80	170-004	170-104	170-204	171-004	172-004
5	250 × 250 × 80	170-005	170-105	170-205	171-005	172-005
6	250 × 300 × 80	170-006	170-106	170-206	171-006	172-006
7	300 × 300 × 80	170-007	170-107	170-207	171-007	172-007
8	400 × 300 × 80	170-008	170-108	170-208	171-008	172-008
9	150 × 150 × 100	170-009	170-109	170-209	171-009	172-009
10	200 × 150 × 100	170-010	170-110	170-210	171-010	172-010
11	200 × 200 × 100	170-011	170-111	170-211	171-011	172-011
12	200 × 250 × 100	170-012	170-112	170-212	171-012	172-012
13	250 × 250 × 100	170-013	170-113	170-213	171-013	172-013
14	250 × 300 × 100	170-014	170-114	170-214	171-014	172-014
15	300 × 300 × 100	170-015	170-115	170-215	171-015	172-015
16	400 × 300 × 100	170-016	170-116	170-216	171-016	172-016
17	150 × 150 × 120	170-017	170-117	170-217	171-017	172-017
18	200 × 150 × 120	170-018	170-118	170-218	171-018	172-018
19	200 × 200 × 120	170-019	170-119	170-219	171-019	172-019
20	200 × 250 × 120	170-020	170-120	170-220	171-020	172-020
21	250 × 250 × 120	170-021	170-121	170-221	171-021	172-021
22	250 × 300 × 120	170-022	170-122	170-222	171-022	172-022
23	300 × 300 × 120	170-023	170-123	170-223	171-023	172-023
24	400 × 300 × 120	170-024	170-124	170-224	171-024	172-024

The following table presents empty enclosures with door punching for universal buttons.

No.	Dimensions (W × H × D mm)	Number of holes in the cover	Catalogue No. OZ-OH-P
1	100 × 100 × 100	1	174-001
2	100 × 160 × 100	2	174-002
3	100 × 220 × 100	3	174-003
4	100 × 280 × 100	4	174-004
5	150 × 160 × 120	4	174-005
6	150 × 220 × 120	6	174-006



Pushbutton enclosures



**OZ**  
IP 66

Scope of delivery:  
Assembled enclosure without mounting plate, TS-35 rail and modular cover.



## Compact enclosure RSA IP 66

RSA – is a small wall-mounted enclosure, universal in terms of configuration and use. The standard offer includes 63 dimensions. Tables with catalogue numbers are available on the following pages of the catalogue.



Download product data sheet!

Type	Corrosivity category	Material / additional description	Coating
RSA	C2	steel sheet	RAL7035
RSA-P	C2	steel sheet / transparent door	RAL7035
RSA-ZN	C3	steel sheet + epoxy primer	RAL7035
RSA-AL	C3*	aluminum sheet	RAL7035
RSA-OH	C4**	stainless steel 1.4301 (AISI 304)	BRUSHED
RSA-KO	C5-I (M)**	acid-proof steel 1.4404 (AISI 316L)	BRUSHED

### General information:

- Ingress protection according to IP code: 66
- Impact resistance according to IK code: 10
- Operating temperature range: -30 – +80°C

### Basic data:

- Body: monobloc type, welded
- Closure: hinged door with 105° opening angle; the possibility of independent change of the door opening direction; enclosures up to 500 mm height have one D5 type lock whereas higher enclosures have two locks of the same type
- Mounting plate: in each version is made of 2 mm thick galvanized steel sheet
- Cable entry: there is a gland plate in the bottom, its dimensions depend on the width of the enclosure
- Grounding: threaded grounding studs in the door and enclosure body
- Other information: The door has an internal stiffening made of perforated z-bars to facilitate mounting of additional elements.

Description	Page
Locks	90
Mounting plates	95
Vertical beams	100-101
Modular constructions	102-103
Internal doors	106-107
Plinths	115
Cable entry	119-121
Wall brackets	130
Ventilation	81
Heaters	82-83
Air conditioners	85-89

### Additional options:

- Increase of the operating temperature range from -50 to +120°C
- Unusual dimensions
- Punching in the door, body or mounting plate
- Painting to any color according to the RAL palette

The technical documentation is available on pages 142-143

The following table presents enclosures equipped with a mounting plate.

No.	Dimensions (W × H × D mm)	Catalogue No. RSA	Catalogue No. RSA-P	Catalogue No. RSA-ZN	Catalogue No. RSA-AL	Catalogue No. RSA-OH	Catalogue No. RSA-KO
1	200 × 300 × 150	100-001	102-001	100-101	100-201	104-001	104-101
2	300 × 200 × 150	100-002	102-002	100-102	100-202	104-002	104-102
3	300 × 300 × 150	100-003	102-003	100-103	100-203	104-003	104-103
4	300 × 300 × 210	100-004	102-004	100-104	100-204	104-004	104-104
5	300 × 300 × 250	100-005	102-005	100-105	100-205	104-005	104-105
6	300 × 400 × 150	100-006	102-006	100-106	100-206	104-006	104-106
7	300 × 400 × 210	100-007	102-007	100-107	100-207	104-007	104-107
8	300 × 400 × 250	100-008	102-008	100-108	100-208	104-008	104-108
9	300 × 500 × 210	100-009	102-009	100-109	100-209	104-009	104-109
10	400 × 300 × 150	100-010	102-010	100-110	100-210	104-010	104-110
11	400 × 300 × 210	100-011	102-011	100-111	100-211	104-011	104-111
12	400 × 300 × 250	100-012	102-012	100-112	100-212	104-012	104-112
13	400 × 400 × 150	100-013	102-013	100-113	100-213	104-013	104-113
14	400 × 400 × 210	100-014	102-014	100-114	100-214	104-014	104-114
15	400 × 400 × 250	100-015	102-015	100-115	100-215	104-015	104-115
16	400 × 400 × 300	100-016	102-016	100-116	100-216	104-016	104-116
17	400 × 500 × 210	100-017	102-017	100-117	100-217	104-017	104-117
18	400 × 500 × 250	100-018	102-018	100-118	100-218	104-018	104-118
19	400 × 500 × 300	100-019	102-019	100-119	100-219	104-019	104-119
20	400 × 600 × 210	100-020	102-020	100-120	100-220	104-020	104-120
21	400 × 600 × 250	100-021	102-021	100-121	100-221	104-021	104-121
22	400 × 600 × 300	100-022	102-022	100-122	100-222	104-022	104-122
23	400 × 800 × 210	100-023	102-023	100-123	100-223	104-023	104-123
24	400 × 800 × 250	100-024	102-024	100-124	100-224	104-024	104-124
25	400 × 800 × 300	100-025	102-025	100-125	100-225	104-025	104-125
26	400 × 1000 × 250	100-026	102-026	100-126	100-226	104-026	104-126
27	400 × 1000 × 300	100-027	102-027	100-127	100-227	104-027	104-127
28	500 × 500 × 210	100-028	102-028	100-128	100-228	104-028	104-128
29	500 × 500 × 300	100-029	102-029	100-129	100-229	104-029	104-129
30	500 × 600 × 210	100-030	102-030	100-130	100-230	104-030	104-130
31	500 × 600 × 250	100-031	102-031	100-131	100-231	104-031	104-131
32	500 × 600 × 300	100-032	102-032	100-132	100-232	104-032	104-132
33	500 × 700 × 250	100-033	102-033	100-133	100-233	104-033	104-133
34	600 × 400 × 210	100-034	102-034	100-134	100-234	104-034	104-134
35	600 × 400 × 250	100-035	102-035	100-135	100-235	104-035	104-135
36	600 × 400 × 300	100-036	102-036	100-136	100-236	104-036	104-136
37	600 × 500 × 300	100-037	102-037	100-137	100-237	104-037	104-137
38	600 × 600 × 210	100-038	102-038	100-138	100-238	104-038	104-138
39	600 × 600 × 250	100-039	102-039	100-139	100-239	104-039	104-139
40	600 × 600 × 300	100-040	102-040	100-140	100-240	104-040	104-140
41	600 × 600 × 400	100-041	102-041	100-141	100-241	104-041	104-141
42	600 × 800 × 210	100-042	102-042	100-142	100-242	104-042	104-142
43	600 × 800 × 250	100-043	102-043	100-143	100-243	104-043	104-143
44	600 × 800 × 300	100-044	102-044	100-144	100-244	104-044	104-144
45	600 × 800 × 400	100-045	102-045	100-145	100-245	104-045	104-145
46	600 × 1000 × 250	100-046	102-046	100-146	100-246	104-046	104-146
47	600 × 1000 × 300	100-047	102-047	100-147	100-247	104-047	104-147
48	600 × 1000 × 400	100-048	102-048	100-148	100-248	104-048	104-148
49	600 × 1200 × 250	100-049	102-049	100-149	100-249	104-049	104-149
50	600 × 1200 × 300	100-050	102-050	100-150	100-250	104-050	104-150
51	600 × 1200 × 400	100-051	102-051	100-151	100-251	104-051	104-151
52	800 × 600 × 250	100-052	102-052	100-152	100-252	104-052	104-152
53	800 × 600 × 300	100-053	102-053	100-153	100-253	104-053	104-153
54	800 × 800 × 210	100-054	102-054	100-154	100-254	104-054	104-154
55	800 × 800 × 250	100-055	102-055	100-155	100-255	104-055	104-155
56	800 × 800 × 300	100-056	102-056	100-156	100-256	104-056	104-156
57	800 × 800 × 400	100-057	102-057	100-157	100-257	104-057	104-157
58	800 × 1000 × 250	100-058	102-058	100-158	100-258	104-058	104-158
59	800 × 1000 × 300	100-059	102-059	100-159	100-259	104-059	104-159
60	800 × 1000 × 400	100-060	102-060	100-160	100-260	104-060	104-160
61	800 × 1200 × 250	100-061	102-061	100-161	100-261	104-061	104-161
62	800 × 1200 × 300	100-062	102-062	100-162	100-262	104-062	104-162
63	800 × 1200 × 400	100-063	102-063	100-163	100-263	104-063	104-163



**RSA**  
IP 66

Scope of delivery:  
Assembled enclosure with a key.

The following table presents empty enclosures.

No.	Dimensions (W × H × D mm)	Catalogue No. RSA-N	Catalogue No. RSA-P-N	Catalogue No. RSA-ZN-N	Catalogue No. RSA-AL-N	Catalogue No. RSA-OH-N	Catalogue No. RSA-KO-N
1	200 × 300 × 150	101-001	103-001	101-101	101-201	105-001	105-101
2	300 × 200 × 150	101-002	103-002	101-102	101-202	105-002	105-102
3	300 × 300 × 150	101-003	103-003	101-103	101-203	105-003	105-103
4	300 × 300 × 210	101-004	103-004	101-104	101-204	105-004	105-104
5	300 × 300 × 250	101-005	103-005	101-105	101-205	105-005	105-105
6	300 × 400 × 150	101-006	103-006	101-106	101-206	105-006	105-106
7	300 × 400 × 210	101-007	103-007	101-107	101-207	105-007	105-107
8	300 × 400 × 250	101-008	103-008	101-108	101-208	105-008	105-108
9	300 × 500 × 210	101-009	103-009	101-109	101-209	105-009	105-109
10	400 × 300 × 150	101-010	103-010	101-110	101-210	105-010	105-110
11	400 × 300 × 210	101-011	103-011	101-111	101-211	105-011	105-111
12	400 × 300 × 250	101-012	103-012	101-112	101-212	105-012	105-112
13	400 × 400 × 150	101-013	103-013	101-113	101-213	105-013	105-113
14	400 × 400 × 210	101-014	103-014	101-114	101-214	105-014	105-114
15	400 × 400 × 250	101-015	103-015	101-115	101-215	105-015	105-115
16	400 × 400 × 300	101-016	103-016	101-116	101-216	105-016	105-116
17	400 × 500 × 210	101-017	103-017	101-117	101-217	105-017	105-117
18	400 × 500 × 250	101-018	103-018	101-118	101-218	105-018	105-118
19	400 × 500 × 300	101-019	103-019	101-119	101-219	105-019	105-119
20	400 × 600 × 210	101-020	103-020	101-120	101-220	105-020	105-120
21	400 × 600 × 250	101-021	103-021	101-121	101-221	105-021	105-121
22	400 × 600 × 300	101-022	103-022	101-122	101-222	105-022	105-122
23	400 × 800 × 210	101-023	103-023	101-123	101-223	105-023	105-123
24	400 × 800 × 250	101-024	103-024	101-124	101-224	105-024	105-124
25	400 × 800 × 300	101-025	103-025	101-125	101-225	105-025	105-125
26	400 × 1000 × 250	101-026	103-026	101-126	101-226	105-026	105-126
27	400 × 1000 × 300	101-027	103-027	101-127	101-227	105-027	105-127
28	500 × 500 × 210	101-028	103-028	101-128	101-228	105-028	105-128
29	500 × 500 × 300	101-029	103-029	101-129	101-229	105-029	105-129
30	500 × 600 × 210	101-030	103-030	101-130	101-230	105-030	105-130
31	500 × 600 × 250	101-031	103-031	101-131	101-231	105-031	105-131
32	500 × 600 × 300	101-032	103-032	101-132	101-232	105-032	105-132
33	500 × 700 × 250	101-033	103-033	101-133	101-233	105-033	105-133
34	600 × 400 × 210	101-034	103-034	101-134	101-234	105-034	105-134
35	600 × 400 × 250	101-035	103-035	101-135	101-235	105-035	105-135
36	600 × 400 × 300	101-036	103-036	101-136	101-236	105-036	105-136
37	600 × 500 × 300	101-037	103-037	101-137	101-237	105-037	105-137
38	600 × 600 × 210	101-038	103-038	101-138	101-238	105-038	105-138
39	600 × 600 × 250	101-039	103-039	101-139	101-239	105-039	105-139
40	600 × 600 × 300	101-040	103-040	101-140	101-240	105-040	105-140
41	600 × 600 × 400	101-041	103-041	101-141	101-241	105-041	105-141
42	600 × 800 × 210	101-042	103-042	101-142	101-242	105-042	105-142
43	600 × 800 × 250	101-043	103-043	101-143	101-243	105-043	105-143
44	600 × 800 × 300	101-044	103-044	101-144	101-244	105-044	105-144
45	600 × 800 × 400	101-045	103-045	101-145	101-245	105-045	105-145
46	600 × 1000 × 250	101-046	103-046	101-146	101-246	105-046	105-146
47	600 × 1000 × 300	101-047	103-047	101-147	101-247	105-047	105-147
48	600 × 1000 × 400	101-048	103-048	101-148	101-248	105-048	105-148
49	600 × 1200 × 250	101-049	103-049	101-149	101-249	105-049	105-149
50	600 × 1200 × 300	101-050	103-050	101-150	101-250	105-050	105-150
51	600 × 1200 × 400	101-051	103-051	101-151	101-251	105-051	105-151
52	800 × 600 × 250	101-052	103-052	101-152	101-252	105-052	105-152
53	800 × 600 × 300	101-053	103-053	101-153	101-253	105-053	105-153
54	800 × 800 × 210	101-054	103-054	101-154	101-254	105-054	105-154
55	800 × 800 × 250	101-055	103-055	101-155	101-255	105-055	105-155
56	800 × 800 × 300	101-056	103-056	101-156	101-256	105-056	105-156
57	800 × 800 × 400	101-057	103-057	101-157	101-257	105-057	105-157
58	800 × 1000 × 250	101-058	103-058	101-158	101-258	105-058	105-158
59	800 × 1000 × 300	101-059	103-059	101-159	101-259	105-059	105-159
60	800 × 1000 × 400	101-060	103-060	101-160	101-260	105-060	105-160
61	800 × 1200 × 250	101-061	103-061	101-161	101-261	105-061	105-161
62	800 × 1200 × 300	101-062	103-062	101-162	101-262	105-062	105-162
63	800 × 1200 × 400	101-063	103-063	101-163	101-263	105-063	105-163

Scope of delivery:  
Assembled enclosure with a key.



## Compact outdoor enclosure **SZA IP 55**

SZA – is a small wall-mounted or freestanding enclosure, characterized by high corrosion protection properties, for use in outdoor conditions. The standard offer includes 63 dimensions. Tables with catalogue numbers are available on the following pages of the catalogue.

Type	Corrosivity category	Material / additional description	Coating
SZA	C3	galvanized steel sheet	RAL7035
SZA-MG	C4	magnelis sheet	RAL7035
SZA-AL	C3*	aluminum sheet	RAL7035
SZA-OH	C4**	stainless steel 1.4301 (AISI 304)	BRUSHED
SZA-KO	C5-I (M)**	acid-proof steel 1.4404 (AISI 316L)	BRUSHED

### General information:

- Ingress protection according to IP code: 55
- Impact resistance according to IK code: 10
- Operating temperature range: -30 – +80°C

### Basic data:

- Body: with roof slope
- Closure: hinged door with 105° opening angle; the possibility of independent change of the door opening direction; enclosures up to 500 mm height have one D5 type lock whereas higher enclosures have two locks of the same type
- Mounting plate: in each version is made of 2 mm thick galvanized steel sheet
- Cable entry: there is a gland plate in the bottom, its dimensions depend on the width of the enclosure
- Grounding: threaded grounding studs in the door and enclosure body
- Other information: The door has an internal stiffening made of perforated z-bars to facilitate mounting of additional elements.

### Additional options:

- Thermal insulation
- Increase of the operating temperature range from -50 to +120°C
- Unusual dimensions
- Punching in the door, body or mounting plate
- Painting to any color according to the RAL palette



Download product data sheet!

Description	Page
Locks	90
Mounting plates	95
Vertical beams	100-101
Modular constructions	102-103
Internal doors	106-107
Plinths	115
Reinforced concrete foundations	129
Cable entry	119-121
Wall brackets	130
Ventilation	81
Heaters	82-83
Air conditioners	85-89

The technical documentation is available on pages 144-145

The following table presents enclosures equipped with a mounting plate.

No.	Dimensions (W × H × D mm)	Catalogue No. SA	Catalogue No. SA-MG	Catalogue No. SA-AL	Catalogue No. SA-OH	Catalogue No. SA-KO
1	200 × 300 × 150	118-001	118-801	118-101	118-201	118-301
2	300 × 200 × 150	118-002	118-802	118-102	118-202	118-302
3	300 × 300 × 150	118-003	118-803	118-103	118-203	118-303
4	300 × 300 × 210	118-004	118-804	118-104	118-204	118-304
5	300 × 300 × 250	118-005	118-805	118-105	118-205	118-305
6	300 × 400 × 150	118-006	118-806	118-106	118-206	118-306
7	300 × 400 × 210	118-007	118-807	118-107	118-207	118-307
8	300 × 400 × 250	118-008	118-808	118-108	118-208	118-308
9	300 × 500 × 210	118-009	118-809	118-109	118-209	118-309
10	400 × 300 × 150	118-010	118-810	118-110	118-210	118-310
11	400 × 300 × 210	118-011	118-811	118-111	118-211	118-311
12	400 × 300 × 250	118-012	118-812	118-112	118-212	118-312
13	400 × 400 × 150	118-013	118-813	118-113	118-213	118-313
14	400 × 400 × 210	118-014	118-814	118-114	118-214	118-314
15	400 × 400 × 250	118-015	118-815	118-115	118-215	118-315
16	400 × 400 × 300	118-016	118-816	118-116	118-216	118-316
17	400 × 500 × 210	118-017	118-817	118-117	118-217	118-317
18	400 × 500 × 250	118-018	118-818	118-118	118-218	118-318
19	400 × 500 × 300	118-019	118-819	118-119	118-219	118-319
20	400 × 600 × 210	118-020	118-820	118-120	118-220	118-320
21	400 × 600 × 250	118-021	118-821	118-121	118-221	118-321
22	400 × 600 × 300	118-022	118-822	118-122	118-222	118-322
23	400 × 800 × 210	118-023	118-823	118-123	118-223	118-323
24	400 × 800 × 250	118-024	118-824	118-124	118-224	118-324
25	400 × 800 × 300	118-025	118-825	118-125	118-225	118-325
26	400 × 1000 × 250	118-026	118-826	118-126	118-226	118-326
27	400 × 1000 × 300	118-027	118-827	118-127	118-227	118-327
28	500 × 500 × 210	118-028	118-828	118-128	118-228	118-328
29	500 × 500 × 300	118-029	118-829	118-129	118-229	118-329
30	500 × 600 × 210	118-030	118-830	118-130	118-230	118-330
31	500 × 600 × 250	118-031	118-831	118-131	118-231	118-331
32	500 × 600 × 300	118-032	118-832	118-132	118-232	118-332
33	500 × 700 × 250	118-033	118-833	118-133	118-233	118-333
34	600 × 400 × 210	118-034	118-834	118-134	118-234	118-334
35	600 × 400 × 250	118-035	118-835	118-135	118-235	118-335
36	600 × 400 × 300	118-036	118-836	118-136	118-236	118-336
37	600 × 500 × 300	118-037	118-837	118-137	118-237	118-337
38	600 × 600 × 210	118-038	118-838	118-138	118-238	118-338
39	600 × 600 × 250	118-039	118-839	118-139	118-239	118-339
40	600 × 600 × 300	118-040	118-840	118-140	118-240	118-340
41	600 × 600 × 400	118-041	118-841	118-141	118-241	118-341
42	600 × 800 × 210	118-042	118-842	118-142	118-242	118-342
43	600 × 800 × 250	118-043	118-843	118-143	118-243	118-343
44	600 × 800 × 300	118-044	118-844	118-144	118-244	118-344
45	600 × 800 × 400	118-045	118-845	118-145	118-245	118-345
46	600 × 1000 × 250	118-046	118-846	118-146	118-246	118-346
47	600 × 1000 × 300	118-047	118-847	118-147	118-247	118-347
48	600 × 1000 × 400	118-048	118-848	118-148	118-248	118-348
49	600 × 1200 × 250	118-049	118-849	118-149	118-249	118-349
50	600 × 1200 × 300	118-050	118-850	118-150	118-250	118-350
51	600 × 1200 × 400	118-051	118-851	118-151	118-251	118-351
52	800 × 600 × 250	118-052	118-852	118-152	118-252	118-352
53	800 × 600 × 300	118-053	118-853	118-153	118-253	118-353
54	800 × 800 × 210	118-054	118-854	118-154	118-254	118-354
55	800 × 800 × 250	118-055	118-855	118-155	118-255	118-355
56	800 × 800 × 300	118-056	118-856	118-156	118-256	118-356
57	800 × 800 × 400	118-057	118-857	118-157	118-257	118-357
58	800 × 1000 × 250	118-058	118-858	118-158	118-258	118-358
59	800 × 1000 × 300	118-059	118-859	118-159	118-259	118-359
60	800 × 1000 × 400	118-060	118-860	118-160	118-260	118-360
61	800 × 1200 × 250	118-061	118-861	118-161	118-261	118-361
62	800 × 1200 × 300	118-062	118-862	118-162	118-262	118-362
63	800 × 1200 × 400	118-063	118-863	118-163	118-263	118-363



**SA**  
IP 55

Scope of delivery:  
Assembled enclosure with a key.



The following table presents empty enclosures.

No.	Dimensions (W × H × D mm)	Catalogue No. SHA-N	Catalogue No. SHA-MG-N	Catalogue No. SHA-AL-N	Catalogue No. SHA-OH-N	Catalogue No. SHA-KO-N
1	200 × 300 × 150	119-001	119-801	119-101	119-201	119-301
2	300 × 200 × 150	119-002	119-802	119-102	119-202	119-302
3	300 × 300 × 150	119-003	119-803	119-103	119-203	119-303
4	300 × 300 × 210	119-004	119-804	119-104	119-204	119-304
5	300 × 300 × 250	119-005	119-805	119-105	119-205	119-305
6	300 × 400 × 150	119-006	119-806	119-106	119-206	119-306
7	300 × 400 × 210	119-007	119-807	119-107	119-207	119-307
8	300 × 400 × 250	119-008	119-808	119-108	119-208	119-308
9	300 × 500 × 210	119-009	119-809	119-109	119-209	119-309
10	400 × 300 × 150	119-010	119-810	119-110	119-210	119-310
11	400 × 300 × 210	119-011	119-811	119-111	119-211	119-311
12	400 × 300 × 250	119-012	119-812	119-112	119-212	119-312
13	400 × 400 × 150	119-013	119-813	119-113	119-213	119-313
14	400 × 400 × 210	119-014	119-814	119-114	119-214	119-314
15	400 × 400 × 250	119-015	119-815	119-115	119-215	119-315
16	400 × 400 × 300	119-016	119-816	119-116	119-216	119-316
17	400 × 500 × 210	119-017	119-817	119-117	119-217	119-317
18	400 × 500 × 250	119-018	119-818	119-118	119-218	119-318
19	400 × 500 × 300	119-019	119-819	119-119	119-219	119-319
20	400 × 600 × 210	119-020	119-820	119-120	119-220	119-320
21	400 × 600 × 250	119-021	119-821	119-121	119-221	119-321
22	400 × 600 × 300	119-022	119-822	119-122	119-222	119-322
23	400 × 800 × 210	119-023	119-823	119-123	119-223	119-323
24	400 × 800 × 250	119-024	119-824	119-124	119-224	119-324
25	400 × 800 × 300	119-025	119-825	119-125	119-225	119-325
26	400 × 1000 × 250	119-026	119-826	119-126	119-226	119-326
27	400 × 1000 × 300	119-027	119-827	119-127	119-227	119-327
28	500 × 500 × 210	119-028	119-828	119-128	119-228	119-328
29	500 × 500 × 300	119-029	119-829	119-129	119-229	119-329
30	500 × 600 × 210	119-030	119-830	119-130	119-230	119-330
31	500 × 600 × 250	119-031	119-831	119-131	119-231	119-331
32	500 × 600 × 300	119-032	119-832	119-132	119-232	119-332
33	500 × 700 × 250	119-033	119-833	119-133	119-233	119-333
34	600 × 400 × 210	119-034	119-834	119-134	119-234	119-334
35	600 × 400 × 250	119-035	119-835	119-135	119-235	119-335
36	600 × 400 × 300	119-036	119-836	119-136	119-236	119-336
37	600 × 500 × 300	119-037	119-837	119-137	119-237	119-337
38	600 × 600 × 210	119-038	119-838	119-138	119-238	119-338
39	600 × 600 × 250	119-039	119-839	119-139	119-239	119-339
40	600 × 600 × 300	119-040	119-840	119-140	119-240	119-340
41	600 × 600 × 400	119-041	119-841	119-141	119-241	119-341
42	600 × 800 × 210	119-042	119-842	119-142	119-242	119-342
43	600 × 800 × 250	119-043	119-843	119-143	119-243	119-343
44	600 × 800 × 300	119-044	119-844	119-144	119-244	119-344
45	600 × 800 × 400	119-045	119-845	119-145	119-245	119-345
46	600 × 1000 × 250	119-046	119-846	119-146	119-246	119-346
47	600 × 1000 × 300	119-047	119-847	119-147	119-247	119-347
48	600 × 1000 × 400	119-048	119-848	119-148	119-248	119-348
49	600 × 1200 × 250	119-049	119-849	119-149	119-249	119-349
50	600 × 1200 × 300	119-050	119-850	119-150	119-250	119-350
51	600 × 1200 × 400	119-051	119-851	119-151	119-251	119-351
52	800 × 600 × 250	119-052	119-852	119-152	119-252	119-352
53	800 × 600 × 300	119-053	119-853	119-153	119-253	119-353
54	800 × 800 × 210	119-054	119-854	119-154	119-254	119-354
55	800 × 800 × 250	119-055	119-855	119-155	119-255	119-355
56	800 × 800 × 300	119-056	119-856	119-156	119-256	119-356
57	800 × 800 × 400	119-057	119-857	119-157	119-257	119-357
58	800 × 1000 × 250	119-058	119-858	119-158	119-258	119-358
59	800 × 1000 × 300	119-059	119-859	119-159	119-259	119-359
60	800 × 1000 × 400	119-060	119-860	119-160	119-260	119-360
61	800 × 1200 × 250	119-061	119-861	119-161	119-261	119-361
62	800 × 1200 × 300	119-062	119-862	119-162	119-262	119-362
63	800 × 1200 × 400	119-063	119-863	119-163	119-263	119-363



**SHA**  
IP 55

Scope of delivery:  
Assembled enclosure with a key.



## Standard enclosure RSB IP 55

RSB – is a large freestanding enclosure, universal in terms of configuration and use. The standard offer includes 63 dimensions. Tables with catalogue numbers are available on the following pages of the catalogue.



Download product data sheet!

Description	Page
Locks	91
Mounting plates	96
Vertical beams	100–101
Modular constructions	102–103
Internal doors	106–107
Plinths	115–116
Cable entry	119–121
Wall brackets	130
Ventilation	81
Heaters	82–83
Air conditioners	85–89

Type	Corrosivity category	Material / additional description	Coating
RSB	C2	steel sheet	RAL7035
RSB-P	C2	steel sheet / transparent door	RAL7035
RSB-ZN	C3	steel sheet + epoxy primer	RAL7035
RSB-AL	C3*	aluminum sheet	RAL7035
RSB-OH	C4**	stainless steel 1.4301 (AISI 304)	BRUSHED
RSB-KO	C5-I (M)**	acid-proof steel 1.4404 (AISI 316L)	BRUSHED

### General information:

- Ingress protection according to IP code: 55
- Impact resistance according to IK code: 10
- Operating temperature range: –30 – +80°C

### Basic data:

- Body: monobloc type, welded
- Closure: hinged door with 105° opening angle; the possibility of independent change of the door opening direction; lock in the form of a handle with the possibility of mounting a latch insert with a key
- Enclosures of 1000 mm width and more have double-leaf doors
- Mounting plate: in each version is made of 2 mm thick galvanized steel sheet, mounted on perforated brackets adjustable on the entire depth of the enclosure
- Cable entry: there is a gland plate in the bottom, its dimensions depend on the width of the enclosure
- Grounding: threaded grounding studs in the door and enclosure body
- Other information: The door has an internal stiffening made of perforated u-bars to facilitate mounting of additional elements.

### Additional options:

- Increase of the operating temperature range from –50 to +120°C
- Unusual dimensions
- Punching in the door, body or mounting plate
- Painting to any color according to the RAL palette

The technical documentation is available on pages 146–147

The following table presents enclosures equipped with a mounting plate.

No.	Dimensions (W × H × D mm)	Catalogue No. RSB	Catalogue No. RSB-P	Catalogue No. RSB-ZN	Catalogue No. RSB-AL	Catalogue No. RSB-OH	Catalogue No. RSB-KO
1	600 × 1400 × 300	120-001	122-001	120-201	120-101	124-001	124-101
2	600 × 1400 × 400	120-002	122-002	120-202	120-102	124-002	124-102
3	600 × 1600 × 300	120-003	122-003	120-203	120-103	124-003	124-103
4	600 × 1600 × 400	120-004	122-004	120-204	120-104	124-004	124-104
5	600 × 1800 × 300	120-005	122-005	120-205	120-105	124-005	124-105
6	600 × 1800 × 400	120-006	122-006	120-206	120-106	124-006	124-106
7	600 × 2000 × 300	120-007	122-007	120-207	120-107	124-007	124-107
8	600 × 2000 × 400	120-008	122-008	120-208	120-108	124-008	124-108
9	600 × 2000 × 500	120-009	122-009	120-209	120-109	124-009	124-109
10	600 × 2000 × 600	120-010	122-010	120-210	120-110	124-010	124-110
11	800 × 1400 × 300	120-011	122-011	120-211	120-111	124-011	124-111
12	800 × 1400 × 400	120-012	122-012	120-212	120-112	124-012	124-112
13	800 × 1600 × 300	120-013	122-013	120-213	120-113	124-013	124-113
14	800 × 1600 × 400	120-014	122-014	120-214	120-114	124-014	124-114
15	800 × 1800 × 300	120-015	122-015	120-215	120-115	124-015	124-115
16	800 × 1800 × 400	120-016	122-016	120-216	120-116	124-016	124-116
17	800 × 1800 × 500	120-017	122-017	120-217	120-117	124-017	124-117
18	800 × 1800 × 600	120-018	122-018	120-218	120-118	124-018	124-118
19	800 × 2000 × 300	120-019	122-019	120-219	120-119	124-019	124-119
20	800 × 2000 × 400	120-020	122-020	120-220	120-120	124-020	124-120
21	800 × 2000 × 500	120-021	122-021	120-221	120-121	124-021	124-121
22	800 × 2000 × 600	120-022	122-022	120-222	120-122	124-022	124-122
23	1000 × 800 × 250	120-023	122-023	120-223	120-123	124-023	124-123
24	1000 × 800 × 300	120-024	122-024	120-224	120-124	124-024	124-124
25	1000 × 800 × 400	120-025	122-025	120-225	120-125	124-025	124-125
26	1000 × 1000 × 250	120-026	122-026	120-226	120-126	124-026	124-126
27	1000 × 1000 × 300	120-027	122-027	120-227	120-127	124-027	124-127
28	1000 × 1000 × 400	120-028	122-028	120-228	120-128	124-028	124-128
29	1000 × 1200 × 250	120-029	122-029	120-229	120-129	124-029	124-129
30	1000 × 1200 × 300	120-030	122-030	120-230	120-130	124-030	124-130
31	1000 × 1200 × 400	120-031	122-031	120-231	120-131	124-031	124-131
32	1000 × 1400 × 300	120-032	122-032	120-232	120-132	124-032	124-132
33	1000 × 1400 × 400	120-033	122-033	120-233	120-133	124-033	124-133
34	1000 × 1600 × 300	120-034	122-034	120-234	120-134	124-034	124-134
35	1000 × 1600 × 400	120-035	122-035	120-235	120-135	124-035	124-135
36	1000 × 1800 × 300	120-036	122-036	120-236	120-136	124-036	124-136
37	1000 × 1800 × 400	120-037	122-037	120-237	120-137	124-037	124-137
38	1000 × 2000 × 300	120-038	122-038	120-238	120-138	124-038	124-138
39	1000 × 2000 × 400	120-039	122-039	120-239	120-139	124-039	124-139
40	1000 × 2000 × 500	120-040	122-040	120-240	120-140	124-040	124-140
41	1200 × 800 × 300	120-041	122-041	120-241	120-141	124-041	124-141
42	1200 × 800 × 400	120-042	122-042	120-242	120-142	124-042	124-142
43	1200 × 1000 × 300	120-043	122-043	120-243	120-143	124-043	124-143
44	1200 × 1000 × 400	120-044	122-044	120-244	120-144	124-044	124-144
45	1200 × 1200 × 300	120-045	122-045	120-245	120-145	124-045	124-145
46	1200 × 1200 × 400	120-046	122-046	120-246	120-146	124-046	124-146
47	1200 × 1400 × 300	120-047	122-047	120-247	120-147	124-047	124-147
48	1200 × 1400 × 400	120-048	122-048	120-248	120-148	124-048	124-148
49	1200 × 1600 × 300	120-049	122-049	120-249	120-149	124-049	124-149
50	1200 × 1600 × 400	120-050	122-050	120-250	120-150	124-050	124-150
51	1200 × 1800 × 300	120-051	122-051	120-251	120-151	124-051	124-151
52	1200 × 1800 × 400	120-052	122-052	120-252	120-152	124-052	124-152
53	1200 × 1800 × 500	120-053	122-053	120-253	120-153	124-053	124-153
54	1200 × 2000 × 300	120-054	122-054	120-254	120-154	124-054	124-154
55	1200 × 2000 × 350	120-055	122-055	120-255	120-155	124-055	124-155
56	1200 × 2000 × 400	120-056	122-056	120-256	120-156	124-056	124-156
57	1200 × 2000 × 500	120-057	122-057	120-257	120-157	124-057	124-157
58	1200 × 2000 × 600	120-058	122-058	120-258	120-158	124-058	124-158
59	1600 × 1800 × 400	120-059	122-059	120-259	120-159	124-059	124-159
60	1600 × 1800 × 500	120-060	122-060	120-260	120-160	124-060	124-160
61	1600 × 2000 × 400	120-061	122-061	120-261	120-161	124-061	124-161
62	1600 × 2000 × 500	120-062	122-062	120-262	120-162	124-062	124-162
63	1600 × 2000 × 600	120-063	122-063	120-263	120-163	124-063	124-163



**RSB**  
IP 55

Scope of delivery:  
Assembled enclosure without lock insert.

The following table presents empty enclosures.

No.	Dimensions (W × H × D mm)	Catalogue No. RSB-N	Catalogue No. RSB-P-N	Catalogue No. RSB-ZN-N	Catalogue No. RSB-AL-N	Catalogue No. RSB-OH-N	Catalogue No. RSB-KO-N
1	600 × 1400 × 300	121-001	123-001	121-201	121-101	125-001	125-101
2	600 × 1400 × 400	121-002	123-002	121-202	121-102	125-002	125-102
3	600 × 1600 × 300	121-003	123-003	121-203	121-103	125-003	125-103
4	600 × 1600 × 400	121-004	123-004	121-204	121-104	125-004	125-104
5	600 × 1800 × 300	121-005	123-005	121-205	121-105	125-005	125-105
6	600 × 1800 × 400	121-006	123-006	121-206	121-106	125-006	125-106
7	600 × 2000 × 300	121-007	123-007	121-207	121-107	125-007	125-107
8	600 × 2000 × 400	121-008	123-008	121-208	121-108	125-008	125-108
9	600 × 2000 × 500	121-009	123-009	121-209	121-109	125-009	125-109
10	600 × 2000 × 600	121-010	123-010	121-210	121-110	125-010	125-110
11	800 × 1400 × 300	121-011	123-011	121-211	121-111	125-011	125-111
12	800 × 1400 × 400	121-012	123-012	121-212	121-112	125-012	125-112
13	800 × 1600 × 300	121-013	123-013	121-213	121-113	125-013	125-113
14	800 × 1600 × 400	121-014	123-014	121-214	121-114	125-014	125-114
15	800 × 1800 × 300	121-015	123-015	121-215	121-115	125-015	125-115
16	800 × 1800 × 400	121-016	123-016	121-216	121-116	125-016	125-116
17	800 × 1800 × 500	121-017	123-017	121-217	121-117	125-017	125-117
18	800 × 1800 × 600	121-018	123-018	121-218	121-118	125-018	125-118
19	800 × 2000 × 300	121-019	123-019	121-219	121-119	125-019	125-119
20	800 × 2000 × 400	121-020	123-020	121-220	121-120	125-020	125-120
21	800 × 2000 × 500	121-021	123-021	121-221	121-121	125-021	125-121
22	800 × 2000 × 600	121-022	123-022	121-222	121-122	125-022	125-122
23	1000 × 800 × 250	121-023	123-023	121-223	121-123	125-023	125-123
24	1000 × 800 × 300	121-024	123-024	121-224	121-124	125-024	125-124
25	1000 × 800 × 400	121-025	123-025	121-225	121-125	125-025	125-125
26	1000 × 1000 × 250	121-026	123-026	121-226	121-126	125-026	125-126
27	1000 × 1000 × 300	121-027	123-027	121-227	121-127	125-027	125-127
28	1000 × 1000 × 400	121-028	123-028	121-228	121-128	125-028	125-128
29	1000 × 1200 × 250	121-029	123-029	121-229	121-129	125-029	125-129
30	1000 × 1200 × 300	121-030	123-030	121-230	121-130	125-030	125-130
31	1000 × 1200 × 400	121-031	123-031	121-231	121-131	125-031	125-131
32	1000 × 1400 × 300	121-032	123-032	121-232	121-132	125-032	125-132
33	1000 × 1400 × 400	121-033	123-033	121-233	121-133	125-033	125-133
34	1000 × 1600 × 300	121-034	123-034	121-234	121-134	125-034	125-134
35	1000 × 1600 × 400	121-035	123-035	121-235	121-135	125-035	125-135
36	1000 × 1800 × 300	121-036	123-036	121-236	121-136	125-036	125-136
37	1000 × 1800 × 400	121-037	123-037	121-237	121-137	125-037	125-137
38	1000 × 2000 × 300	121-038	123-038	121-238	121-138	125-038	125-138
39	1000 × 2000 × 400	121-039	123-039	121-239	121-139	125-039	125-139
40	1000 × 2000 × 500	121-040	123-040	121-240	121-140	125-040	125-140
41	1200 × 800 × 300	121-041	123-041	121-241	121-141	125-041	125-141
42	1200 × 800 × 400	121-042	123-042	121-242	121-142	125-042	125-142
43	1200 × 1000 × 300	121-043	123-043	121-243	121-143	125-043	125-143
44	1200 × 1000 × 400	121-044	123-044	121-244	121-144	125-044	125-144
45	1200 × 1200 × 300	121-045	123-045	121-245	121-145	125-045	125-145
46	1200 × 1200 × 400	121-046	123-046	121-246	121-146	125-046	125-146
47	1200 × 1400 × 300	121-047	123-047	121-247	121-147	125-047	125-147
48	1200 × 1400 × 400	121-048	123-048	121-248	121-148	125-048	125-148
49	1200 × 1600 × 300	121-049	123-049	121-249	121-149	125-049	125-149
50	1200 × 1600 × 400	121-050	123-050	121-250	121-150	125-050	125-150
51	1200 × 1800 × 300	121-051	123-051	121-251	121-151	125-051	125-151
52	1200 × 1800 × 400	121-052	123-052	121-252	121-152	125-052	125-152
53	1200 × 1800 × 500	121-053	123-053	121-253	121-153	125-053	125-153
54	1200 × 2000 × 300	121-054	123-054	121-254	121-154	125-054	125-154
55	1200 × 2000 × 350	121-055	123-055	121-255	121-155	125-055	125-155
56	1200 × 2000 × 400	121-056	123-056	121-256	121-156	125-056	125-156
57	1200 × 2000 × 500	121-057	123-057	121-257	121-157	125-057	125-157
58	1200 × 2000 × 600	121-058	123-058	121-258	121-158	125-058	125-158
59	1600 × 1800 × 400	121-059	123-059	121-259	121-159	125-059	125-159
60	1600 × 1800 × 500	121-060	123-060	121-260	121-160	125-060	125-160
61	1600 × 2000 × 400	121-061	123-061	121-261	121-161	125-061	125-161
62	1600 × 2000 × 500	121-062	123-062	121-262	121-162	125-062	125-162
63	1600 × 2000 × 600	121-063	123-063	121-263	121-163	125-063	125-163



**RSB**  
IP 55

Scope of delivery:  
Assembled enclosure without lock insert.



## Standard outdoor enclosure SZB IP 55

SZB – is a large wall-mounted or freestanding enclosure, characterized by high corrosion protection properties, for use in outdoor conditions. The standard offer includes 63 dimensions. Tables with catalogue numbers are available on the following pages of the catalogue.

Type	Corrosivity category	Material / additional description	Coating
SZB	C3	galvanized steel sheet	RAL7035
SZB-MG	C4	magnelis sheet	RAL7035
SZB-AL	C3*	aluminum sheet	RAL7035
SZB-OH	C4**	stainless steel 1.4301 (AISI 304)	BRUSHED
SZB-KO	C5-I (M)**	acid-proof steel 1.4404 (AISI 316L)	BRUSHED

### General information:

- Ingress protection according to IP code: 55
- Impact resistance according to IK code: 10
- Operating temperature range: -30 – +80°C

### Basic data:

- Body: with roof slope
- Closure: hinged door with 105° opening angle; the possibility of independent change of the door opening direction; lock in the form of a handle with the possibility of mounting a latch insert with a key
- Enclosures of 1000 mm width and more have double-leaf doors
- Mounting plate: in each version is made of 2 mm thick galvanized steel sheet, mounted on perforated brackets adjustable on the entire depth of the enclosure
- Cable entry: there is a gland plate in the bottom, its dimensions depend on the width of the enclosure
- Grounding: threaded grounding studs in the door and enclosure body
- Other information: The door has an internal stiffening made of perforated u-bars to facilitate mounting of additional elements.

### Additional options:

- Thermal insulation
- Increase of the operating temperature range from -50 to +120°C
- Unusual dimensions
- Punching in the door, body or mounting plate
- Painting to any color according to the RAL palette



Download product data sheet!

Description	Page
Locks	91
Mounting plates	96
Vertical beams	100-101
Modular constructions	102-103
Internal doors	106-107
Plinths	115-116
Reinforced concrete foundations	129
Cable entry	119-121
Wall brackets	130
Ventilation	81
Heaters	82-83
Air conditioners	85-89

The technical documentation is available on pages 148-149

The following table presents enclosures equipped with a mounting plate.

No.	Dimensions (W × H × D mm)	Catalogue No. SZB	Catalogue No. SZB-MG	Catalogue No. SZB-AL	Catalogue No. SZB-OH	Catalogue No. SZB-KO
1	600 × 1400 × 300	126-001	126-401	126-101	126-201	126-301
2	600 × 1400 × 400	126-002	126-402	126-102	126-202	126-302
3	600 × 1600 × 300	126-003	126-403	126-103	126-203	126-303
4	600 × 1600 × 400	126-004	126-404	126-104	126-204	126-304
5	600 × 1800 × 300	126-005	126-405	126-105	126-205	126-305
6	600 × 1800 × 400	126-006	126-406	126-106	126-206	126-306
7	600 × 2000 × 300	126-007	126-407	126-107	126-207	126-307
8	600 × 2000 × 400	126-008	126-408	126-108	126-208	126-308
9	600 × 2000 × 500	126-009	126-409	126-109	126-209	126-309
10	600 × 2000 × 600	126-010	126-410	126-110	126-210	126-310
11	800 × 1400 × 300	126-011	126-411	126-111	126-211	126-311
12	800 × 1400 × 400	126-012	126-412	126-112	126-212	126-312
13	800 × 1600 × 300	126-013	126-413	126-113	126-213	126-313
14	800 × 1600 × 400	126-014	126-414	126-114	126-214	126-314
15	800 × 1800 × 300	126-015	126-415	126-115	126-215	126-315
16	800 × 1800 × 400	126-016	126-416	126-116	126-216	126-316
17	800 × 1800 × 500	126-017	126-417	126-117	126-217	126-317
18	800 × 1800 × 600	126-018	126-418	126-118	126-218	126-318
19	800 × 2000 × 300	126-019	126-419	126-119	126-219	126-319
20	800 × 2000 × 400	126-020	126-420	126-120	126-220	126-320
21	800 × 2000 × 500	126-021	126-421	126-121	126-221	126-321
22	800 × 2000 × 600	126-022	126-422	126-122	126-222	126-322
23	1000 × 800 × 250	126-023	126-423	126-123	126-223	126-323
24	1000 × 800 × 300	126-024	126-424	126-124	126-224	126-324
25	1000 × 800 × 400	126-025	126-425	126-125	126-225	126-325
26	1000 × 1000 × 250	126-026	126-426	126-126	126-226	126-326
27	1000 × 1000 × 300	126-027	126-427	126-127	126-227	126-327
28	1000 × 1000 × 400	126-028	126-428	126-128	126-228	126-328
29	1000 × 1200 × 250	126-029	126-429	126-129	126-229	126-329
30	1000 × 1200 × 300	126-030	126-430	126-130	126-230	126-330
31	1000 × 1200 × 400	126-031	126-431	126-131	126-231	126-331
32	1000 × 1400 × 300	126-032	126-432	126-132	126-232	126-332
33	1000 × 1400 × 400	126-033	126-433	126-133	126-233	126-333
34	1000 × 1600 × 300	126-034	126-434	126-134	126-234	126-334
35	1000 × 1600 × 400	126-035	126-435	126-135	126-235	126-335
36	1000 × 1800 × 300	126-036	126-436	126-136	126-236	126-336
37	1000 × 1800 × 400	126-037	126-437	126-137	126-237	126-337
38	1000 × 2000 × 300	126-038	126-438	126-138	126-238	126-338
39	1000 × 2000 × 400	126-039	126-439	126-139	126-239	126-339
40	1000 × 2000 × 500	126-040	126-440	126-140	126-240	126-340
41	1200 × 800 × 300	126-041	126-441	126-141	126-241	126-341
42	1200 × 800 × 400	126-042	126-442	126-142	126-242	126-342
43	1200 × 1000 × 300	126-043	126-443	126-143	126-243	126-343
44	1200 × 1000 × 400	126-044	126-444	126-144	126-244	126-344
45	1200 × 1200 × 300	126-045	126-445	126-145	126-245	126-345
46	1200 × 1200 × 400	126-046	126-446	126-146	126-246	126-346
47	1200 × 1400 × 300	126-047	126-447	126-147	126-247	126-347
48	1200 × 1400 × 400	126-048	126-448	126-148	126-248	126-348
49	1200 × 1600 × 300	126-049	126-449	126-149	126-249	126-349
50	1200 × 1600 × 400	126-050	126-450	126-150	126-250	126-350
51	1200 × 1800 × 300	126-051	126-451	126-151	126-251	126-351
52	1200 × 1800 × 400	126-052	126-452	126-152	126-252	126-352
53	1200 × 1800 × 500	126-053	126-453	126-153	126-253	126-353
54	1200 × 2000 × 300	126-054	126-454	126-154	126-254	126-354
55	1200 × 2000 × 350	126-055	126-455	126-155	126-255	126-355
56	1200 × 2000 × 400	126-056	126-456	126-156	126-256	126-356
57	1200 × 2000 × 500	126-057	126-457	126-157	126-257	126-357
58	1200 × 2000 × 600	126-058	126-458	126-158	126-258	126-358
59	1600 × 1800 × 400	126-059	126-459	126-159	126-259	126-359
60	1600 × 1800 × 500	126-060	126-460	126-160	126-260	126-360
61	1600 × 2000 × 400	126-061	126-461	126-161	126-261	126-361
62	1600 × 2000 × 500	126-062	126-462	126-162	126-262	126-362
63	1600 × 2000 × 600	126-063	126-463	126-163	126-263	126-363



**SZB**  
IP 55

Scope of delivery:  
Assembled enclosure without lock insert.

The following table presents empty enclosures.

No.	Dimensions (W × H × D mm)	Catalogue No. SZB-N	Catalogue No. SZB-MG-N	Catalogue No. SZB-AL-N	Catalogue No. SZB-OH-N	Catalogue No. SZB-KO-N
1	600 × 1400 × 300	127-001	127-401	127-101	127-201	127-301
2	600 × 1400 × 400	127-002	127-402	127-102	127-202	127-302
3	600 × 1600 × 300	127-003	127-403	127-103	127-203	127-303
4	600 × 1600 × 400	127-004	127-404	127-104	127-204	127-304
5	600 × 1800 × 300	127-005	127-405	127-105	127-205	127-305
6	600 × 1800 × 400	127-006	127-406	127-106	127-206	127-306
7	600 × 2000 × 300	127-007	127-407	127-107	127-207	127-307
8	600 × 2000 × 400	127-008	127-408	127-108	127-208	127-308
9	600 × 2000 × 500	127-009	127-409	127-109	127-209	127-309
10	600 × 2000 × 600	127-010	127-410	127-110	127-210	127-310
11	800 × 1400 × 300	127-011	127-411	127-111	127-211	127-311
12	800 × 1400 × 400	127-012	127-412	127-112	127-212	127-312
13	800 × 1600 × 300	127-013	127-413	127-113	127-213	127-313
14	800 × 1600 × 400	127-014	127-414	127-114	127-214	127-314
15	800 × 1800 × 300	127-015	127-415	127-115	127-215	127-315
16	800 × 1800 × 400	127-016	127-416	127-116	127-216	127-316
17	800 × 1800 × 500	127-017	127-417	127-117	127-217	127-317
18	800 × 1800 × 600	127-018	127-418	127-118	127-218	127-318
19	800 × 2000 × 300	127-019	127-419	127-119	127-219	127-319
20	800 × 2000 × 400	127-020	127-420	127-120	127-220	127-320
21	800 × 2000 × 500	127-021	127-421	127-121	127-221	127-321
22	800 × 2000 × 600	127-022	127-422	127-122	127-222	127-322
23	1000 × 800 × 250	127-023	127-423	127-123	127-223	127-323
24	1000 × 800 × 300	127-024	127-424	127-124	127-224	127-324
25	1000 × 800 × 400	127-025	127-425	127-125	127-225	127-325
26	1000 × 1000 × 250	127-026	127-426	127-126	127-226	127-326
27	1000 × 1000 × 300	127-027	127-427	127-127	127-227	127-327
28	1000 × 1000 × 400	127-028	127-428	127-128	127-228	127-328
29	1000 × 1200 × 250	127-029	127-429	127-129	127-229	127-329
30	1000 × 1200 × 300	127-030	127-430	127-130	127-230	127-330
31	1000 × 1200 × 400	127-031	127-431	127-131	127-231	127-331
32	1000 × 1400 × 300	127-032	127-432	127-132	127-232	127-332
33	1000 × 1400 × 400	127-033	127-433	127-133	127-233	127-333
34	1000 × 1600 × 300	127-034	127-434	127-134	127-234	127-334
35	1000 × 1600 × 400	127-035	127-435	127-135	127-235	127-335
36	1000 × 1800 × 300	127-036	127-436	127-136	127-236	127-336
37	1000 × 1800 × 400	127-037	127-437	127-137	127-237	127-337
38	1000 × 2000 × 300	127-038	127-438	127-138	127-238	127-338
39	1000 × 2000 × 400	127-039	127-439	127-139	127-239	127-339
40	1000 × 2000 × 500	127-040	127-440	127-140	127-240	127-340
41	1200 × 800 × 300	127-041	127-441	127-141	127-241	127-341
42	1200 × 800 × 400	127-042	127-442	127-142	127-242	127-342
43	1200 × 1000 × 300	127-043	127-443	127-143	127-243	127-343
44	1200 × 1000 × 400	127-044	127-444	127-144	127-244	127-344
45	1200 × 1200 × 300	127-045	127-445	127-145	127-245	127-345
46	1200 × 1200 × 400	127-046	127-446	127-146	127-246	127-346
47	1200 × 1400 × 300	127-047	127-447	127-147	127-247	127-347
48	1200 × 1400 × 400	127-048	127-448	127-148	127-248	127-348
49	1200 × 1600 × 300	127-049	127-449	127-149	127-249	127-349
50	1200 × 1600 × 400	127-050	127-450	127-150	127-250	127-350
51	1200 × 1800 × 300	127-051	127-451	127-151	127-251	127-351
52	1200 × 1800 × 400	127-052	127-452	127-152	127-252	127-352
53	1200 × 1800 × 500	127-053	127-453	127-153	127-253	127-353
54	1200 × 2000 × 300	127-054	127-454	127-154	127-254	127-354
55	1200 × 2000 × 350	127-055	127-455	127-155	127-255	127-355
56	1200 × 2000 × 400	127-056	127-456	127-156	127-256	127-356
57	1200 × 2000 × 500	127-057	127-457	127-157	127-257	127-357
58	1200 × 2000 × 600	127-058	127-458	127-158	127-258	127-358
59	1600 × 1800 × 400	127-059	127-459	127-159	127-259	127-359
60	1600 × 1800 × 500	127-060	127-460	127-160	127-260	127-360
61	1600 × 2000 × 400	127-061	127-461	127-161	127-261	127-361
62	1600 × 2000 × 500	127-062	127-462	127-162	127-262	127-362
63	1600 × 2000 × 600	127-063	127-463	127-163	127-263	127-363



**SZB**  
IP 55

Scope of delivery:  
Assembled enclosure without lock insert.



## Reinforced outdoor enclosure **SZS IP 66**

SZS – is a reinforced wall-mounted or freestanding enclosure, characterized by high corrosion and ingress protection properties, for use in outdoor conditions. The standard offer includes 63 dimensions. Tables with catalogue numbers are available on the following pages of the catalogue.



Download product data sheet!

Type	Corrosivity category	Material / additional description	Coating
SZS-ZN	C3	steel sheet + epoxy primer	RAL7035
SZS-MG	C4	magnelis sheet	RAL7035
SZS-OH	C4**	stainless steel 1.4301 (AISI 304)	BRUSHED
SZS-KO	C5-I (M)**	acid-proof steel 1.4404 (AISI 316L)	BRUSHED

### General information:

- Ingress protection according to IP code: 66
- Impact resistance according to IK code: 10
- Operating temperature range: -30 – +80°C

### Basic data:

- Body: welded, with roof slope screwed into the body
- Closure: hinged door with 105° opening angle; the possibility of independent change of the door opening direction; lock in the form of a handle with the possibility of mounting a latch insert with a key
- Enclosures of 1000 mm width and more have double-leaf doors separated in the middle by a removable beam
- Mounting plate: in each version is made of 2 mm thick galvanized steel sheet, mounted on perforated brackets adjustable on the entire depth of the enclosure
- Cable entry: there is a gland plate in the bottom, its dimensions depend on the width of the enclosure
- Grounding: threaded grounding studs in the door and enclosure body
- Other information: The door has an internal stiffening made of perforated u-bars to facilitate mounting of additional elements.

Description	Page
Locks	91
Mounting plates	96
Vertical beams	100–101
Modular constructions	102–103
Internal doors	106–107
Plinths	115–116
Reinforced concrete foundations	129
Cable entry	119–121
Wall brackets	130
Ventilation	81
Heaters	82–83
Air conditioners	85–89

### Additional options:

- Thermal insulation
- Increase of the operating temperature range from -50 to +120°C
- Unusual dimensions
- Punching in the door, body or mounting plate
- Painting to any color according to the RAL palette

The technical documentation is available on pages 150–151



The following table presents enclosures equipped with a mounting plate.

No.	Dimensions (W × H × D mm)	Catalogue No. SZS-ZN	Catalogue No. SZS-MG	Catalogue No. SZS-OH	Catalogue No. SZS-KO
1	600 × 1400 × 300	118-401	118-701	118-501	118-601
2	600 × 1400 × 400	118-402	118-702	118-502	118-602
3	600 × 1600 × 300	118-403	118-703	118-503	118-603
4	600 × 1600 × 400	118-404	118-704	118-504	118-604
5	600 × 1800 × 300	118-405	118-705	118-505	118-605
6	600 × 1800 × 400	118-406	118-706	118-506	118-606
7	600 × 2000 × 300	118-407	118-707	118-507	118-607
8	600 × 2000 × 400	118-408	118-708	118-508	118-608
9	600 × 2000 × 500	118-409	118-709	118-509	118-609
10	600 × 2000 × 600	118-410	118-710	118-510	118-610
11	800 × 1400 × 300	118-411	118-711	118-511	118-611
12	800 × 1400 × 400	118-412	118-712	118-512	118-612
13	800 × 1600 × 300	118-413	118-713	118-513	118-613
14	800 × 1600 × 400	118-414	118-714	118-514	118-614
15	800 × 1800 × 300	118-415	118-715	118-515	118-615
16	800 × 1800 × 400	118-416	118-716	118-516	118-616
17	800 × 1800 × 500	118-417	118-717	118-517	118-617
18	800 × 1800 × 600	118-418	118-718	118-518	118-618
19	800 × 2000 × 300	118-419	118-719	118-519	118-619
20	800 × 2000 × 400	118-420	118-720	118-520	118-620
21	800 × 2000 × 500	118-421	118-721	118-521	118-621
22	800 × 2000 × 600	118-422	118-722	118-522	118-622
23	1000 × 800 × 250	118-423	118-723	118-523	118-623
24	1000 × 800 × 300	118-424	118-724	118-524	118-624
25	1000 × 800 × 400	118-425	118-725	118-525	118-625
26	1000 × 1000 × 250	118-426	118-726	118-526	118-626
27	1000 × 1000 × 300	118-427	118-727	118-527	118-627
28	1000 × 1000 × 400	118-428	118-728	118-528	118-628
29	1000 × 1200 × 250	118-429	118-729	118-529	118-629
30	1000 × 1200 × 300	118-430	118-730	118-530	118-630
31	1000 × 1200 × 400	118-431	118-731	118-531	118-631
32	1000 × 1400 × 300	118-432	118-732	118-532	118-632
33	1000 × 1400 × 400	118-433	118-733	118-533	118-633
34	1000 × 1600 × 300	118-434	118-734	118-534	118-634
35	1000 × 1600 × 400	118-435	118-735	118-535	118-635
36	1000 × 1800 × 300	118-436	118-736	118-536	118-636
37	1000 × 1800 × 400	118-437	118-737	118-537	118-637
38	1000 × 2000 × 300	118-438	118-738	118-538	118-638
39	1000 × 2000 × 400	118-439	118-739	118-539	118-639
40	1000 × 2000 × 500	118-440	118-740	118-540	118-640
41	1200 × 800 × 300	118-441	118-741	118-541	118-641
42	1200 × 800 × 400	118-442	118-742	118-542	118-642
43	1200 × 1000 × 300	118-443	118-743	118-543	118-643
44	1200 × 1000 × 400	118-444	118-744	118-544	118-644
45	1200 × 1200 × 300	118-445	118-745	118-545	118-645
46	1200 × 1200 × 400	118-446	118-746	118-546	118-646
47	1200 × 1400 × 300	118-447	118-747	118-547	118-647
48	1200 × 1400 × 400	118-448	118-748	118-548	118-648
49	1200 × 1600 × 300	118-449	118-749	118-549	118-649
50	1200 × 1600 × 400	118-450	118-750	118-550	118-650
51	1200 × 1800 × 300	118-451	118-751	118-551	118-651
52	1200 × 1800 × 400	118-452	118-752	118-552	118-652
53	1200 × 1800 × 500	118-453	118-753	118-553	118-653
54	1200 × 2000 × 300	118-454	118-754	118-554	118-654
55	1200 × 2000 × 350	118-455	118-755	118-555	118-655
56	1200 × 2000 × 400	118-456	118-756	118-556	118-656
57	1200 × 2000 × 500	118-457	118-757	118-557	118-657
58	1200 × 2000 × 600	118-458	118-758	118-558	118-658
59	1600 × 1800 × 400	118-459	118-759	118-559	118-659
60	1600 × 1800 × 500	118-460	118-760	118-560	118-660
61	1600 × 2000 × 400	118-461	118-761	118-561	118-661
62	1600 × 2000 × 500	118-462	118-762	118-562	118-662
63	1600 × 2000 × 600	118-463	118-763	118-563	118-663



**SZS**  
IP 66

Scope of delivery:  
Assembled enclosure without lock insert.

The following table presents empty enclosures.

No.	Dimensions (W × H × D mm)	Catalogue No. SZS-ZN-N	Catalogue No. SZS-MG-N	Catalogue No. SZS-OH-N	Catalogue No. SZS-KO-N
1	600 × 1400 × 300	119-401	119-701	119-501	119-601
2	600 × 1400 × 400	119-402	119-702	119-502	119-602
3	600 × 1600 × 300	119-403	119-703	119-503	119-603
4	600 × 1600 × 400	119-404	119-704	119-504	119-604
5	600 × 1800 × 300	119-405	119-705	119-505	119-605
6	600 × 1800 × 400	119-406	119-706	119-506	119-606
7	600 × 2000 × 300	119-407	119-707	119-507	119-607
8	600 × 2000 × 400	119-408	119-708	119-508	119-608
9	600 × 2000 × 500	119-409	119-709	119-509	119-609
10	600 × 2000 × 600	119-410	119-710	119-510	119-610
11	800 × 1400 × 300	119-411	119-711	119-511	119-611
12	800 × 1400 × 400	119-412	119-712	119-512	119-612
13	800 × 1600 × 300	119-413	119-713	119-513	119-613
14	800 × 1600 × 400	119-414	119-714	119-514	119-614
15	800 × 1800 × 300	119-415	119-715	119-515	119-615
16	800 × 1800 × 400	119-416	119-716	119-516	119-616
17	800 × 1800 × 500	119-417	119-717	119-517	119-617
18	800 × 1800 × 600	119-418	119-718	119-518	119-618
19	800 × 2000 × 300	119-419	119-719	119-519	119-619
20	800 × 2000 × 400	119-420	119-720	119-520	119-620
21	800 × 2000 × 500	119-421	119-721	119-521	119-621
22	800 × 2000 × 600	119-422	119-722	119-522	119-622
23	1000 × 800 × 250	119-423	119-723	119-523	119-623
24	1000 × 800 × 300	119-424	119-724	119-524	119-624
25	1000 × 800 × 400	119-425	119-725	119-525	119-625
26	1000 × 1000 × 250	119-426	119-726	119-526	119-626
27	1000 × 1000 × 300	119-427	119-727	119-527	119-627
28	1000 × 1000 × 400	119-428	119-728	119-528	119-628
29	1000 × 1200 × 250	119-429	119-729	119-529	119-629
30	1000 × 1200 × 300	119-430	119-730	119-530	119-630
31	1000 × 1200 × 400	119-431	119-731	119-531	119-631
32	1000 × 1400 × 300	119-432	119-732	119-532	119-632
33	1000 × 1400 × 400	119-433	119-733	119-533	119-633
34	1000 × 1600 × 300	119-434	119-734	119-534	119-634
35	1000 × 1600 × 400	119-435	119-735	119-535	119-635
36	1000 × 1800 × 300	119-436	119-736	119-536	119-636
37	1000 × 1800 × 400	119-437	119-737	119-537	119-637
38	1000 × 2000 × 300	119-438	119-738	119-538	119-638
39	1000 × 2000 × 400	119-439	119-739	119-539	119-639
40	1000 × 2000 × 500	119-440	119-740	119-540	119-640
41	1200 × 800 × 300	119-441	119-741	119-541	119-641
42	1200 × 800 × 400	119-442	119-742	119-542	119-642
43	1200 × 1000 × 300	119-443	119-743	119-543	119-643
44	1200 × 1000 × 400	119-444	119-744	119-544	119-644
45	1200 × 1200 × 300	119-445	119-745	119-545	119-645
46	1200 × 1200 × 400	119-446	119-746	119-546	119-646
47	1200 × 1400 × 300	119-447	119-747	119-547	119-647
48	1200 × 1400 × 400	119-448	119-748	119-548	119-648
49	1200 × 1600 × 300	119-449	119-749	119-549	119-649
50	1200 × 1600 × 400	119-450	119-750	119-550	119-650
51	1200 × 1800 × 300	119-451	119-751	119-551	119-651
52	1200 × 1800 × 400	119-452	119-752	119-552	119-652
53	1200 × 1800 × 500	119-453	119-753	119-553	119-653
54	1200 × 2000 × 300	119-454	119-754	119-554	119-654
55	1200 × 2000 × 350	119-455	119-755	119-555	119-655
56	1200 × 2000 × 400	119-456	119-756	119-556	119-656
57	1200 × 2000 × 500	119-457	119-757	119-557	119-657
58	1200 × 2000 × 600	119-458	119-758	119-558	119-658
59	1600 × 1800 × 400	119-459	119-759	119-559	119-659
60	1600 × 1800 × 500	119-460	119-760	119-560	119-660
61	1600 × 2000 × 400	119-461	119-761	119-561	119-661
62	1600 × 2000 × 500	119-462	119-762	119-562	119-662
63	1600 × 2000 × 600	119-463	119-763	119-563	119-663



**SZS**  
IP 66

Scope of delivery:  
Assembled enclosure without lock insert.



## Rack enclosure RR IP 55

RR – is a large standing enclosure, characterized by the ability to connect several enclosures of the same type in series. The standard offer includes 48 dimensions. Tables with catalogue numbers are available on the following pages of the catalogue.

Type	Corrosivity category	Material / additional description	Coating
RR	C2	steel sheet	RAL7035
RR-P	C2	steel sheet / transparent door	RAL7035
RR-ZN	C3	galvanized steel sheet	RAL7035
RR-AL	C3*	aluminum sheet	RAL7035
RR-OH	C4**	stainless steel 1.4301 (AISI 304)	BRUSHED
RR-KO	C5-I (M)**	acid-proof steel 1.4404 (AISI 316L)	BRUSHED

### General information:

- Ingress protection according to IP code: 55
- Impact resistance according to IK code: 10
- Operating temperature range: -30 – +80°C

### Basic data:

- Body: welded; frame with perforations; side covers screwed into the frame
- Closure: hinged door with 105 ° opening angle; the possibility of independent change of the door opening direction; lock in the form of a handle with the possibility of mounting a latch insert with a key
- Enclosures of 1000 mm width and more have double-leaf doors
- Mounting plate: in each version is made of 2 mm thick galvanized steel sheet, mounted on perforated brackets adjustable on the entire depth of the enclosure
- Cable entry: there is an adjustable gland plate in the bottom, its dimensions depend on the width of the enclosure
- Grounding: threaded grounding studs in the door and enclosure body
- Other information: The door has an internal stiffening made of perforated u-bars to facilitate mounting of additional elements.

### Additional options:

- Increase of the operating temperature range from -50 to +120°C
- Unusual dimensions
- Punching in the door, body or mounting plate
- Painting to any color according to the RAL palette



Download product data sheet!

Description	Page
Locks	91
Mounting plates	96
Vertical beams	100-102
Modular constructions	102-104
Internal doors	108-109
Plinths	115-116
Side covers	122
Roofs	124-125
Cable entry	119-121
Wall brackets	130
Ventilation	81
Heaters	82-83
Air conditioners	85-89

The technical documentation is available on pages 152-153

The following table presents empty enclosures.

No.	Dimensions (W × H × D mm)	Catalogue No. RR	Catalogue No. RR-P	Catalogue No. RR-ZN	Catalogue No. RR-AL	Catalogue No. RR-OH	Catalogue No. RR-KO
1	400 × 2000 × 400	140-001	141-001	143-001	140-101	142-001	142-101
2	400 × 2000 × 500	140-002	141-002	143-002	140-102	142-002	142-102
3	400 × 2000 × 600	140-003	141-003	143-003	140-103	142-003	142-103
4	600 × 1200 × 500	140-004	141-004	143-004	140-104	142-004	142-104
5	600 × 1200 × 600	140-005	141-005	143-005	140-105	142-005	142-105
6	600 × 1600 × 500	140-006	141-006	143-006	140-106	142-006	142-106
7	600 × 1600 × 600	140-007	141-007	143-007	140-107	142-007	142-107
8	600 × 1800 × 400	140-008	141-008	143-008	140-108	142-008	142-108
9	600 × 1800 × 500	140-009	141-009	143-009	140-109	142-009	142-109
10	600 × 1800 × 600	140-010	141-010	143-010	140-110	142-010	142-110
11	600 × 1800 × 800	140-011	141-011	143-011	140-111	142-011	142-111
12	600 × 2000 × 400	140-012	141-012	143-012	140-112	142-012	142-112
13	600 × 2000 × 500	140-013	141-013	143-013	140-113	142-013	142-113
14	600 × 2000 × 600	140-014	141-014	143-014	140-114	142-014	142-114
15	600 × 2000 × 800	140-015	141-015	143-015	140-115	142-015	142-115
16	600 × 2200 × 600	140-016	141-016	143-016	140-116	142-016	142-116
17	600 × 2200 × 800	140-017	141-017	143-017	140-117	142-017	142-117
18	800 × 1200 × 500	140-018	141-018	143-018	140-118	142-018	142-118
19	800 × 1200 × 600	140-019	141-019	143-019	140-119	142-019	142-119
20	800 × 1600 × 500	140-020	141-020	143-020	140-120	142-020	142-120
21	800 × 1600 × 600	140-021	141-021	143-021	140-121	142-021	142-121
22	800 × 1600 × 800	140-022	141-022	143-022	140-122	142-022	142-122
23	800 × 1800 × 400	140-023	141-023	143-023	140-123	142-023	142-123
24	800 × 1800 × 500	140-024	141-024	143-024	140-124	142-024	142-124
25	800 × 1800 × 600	140-025	141-025	143-025	140-125	142-025	142-125
26	800 × 2000 × 400	140-026	141-026	143-026	140-126	142-026	142-126
27	800 × 2000 × 500	140-027	141-027	143-027	140-127	142-027	142-127
28	800 × 2000 × 600	140-028	141-028	143-028	140-128	142-028	142-128
29	800 × 2000 × 800	140-029	141-029	143-029	140-129	142-029	142-129
30	800 × 2200 × 600	140-030	141-030	143-030	140-130	142-030	142-130
31	800 × 2200 × 800	140-031	141-031	143-031	140-131	142-031	142-131
32	1000 × 1800 × 400	140-032	141-032	143-032	140-132	142-032	142-132
33	1000 × 1800 × 600	140-033	141-033	143-033	140-133	142-033	142-133
34	1000 × 2000 × 400	140-034	141-034	143-034	140-134	142-034	142-134
35	1000 × 2000 × 500	140-035	141-035	143-035	140-135	142-035	142-135
36	1000 × 2000 × 600	140-036	141-036	143-036	140-136	142-036	142-136
37	1000 × 2000 × 800	140-037	141-037	143-037	140-137	142-037	142-137
38	1200 × 1200 × 500	140-038	141-038	143-038	140-138	142-038	142-138
39	1200 × 1600 × 500	140-039	141-039	143-039	140-139	142-039	142-139
40	1200 × 1800 × 400	140-040	141-040	143-040	140-140	142-040	142-140
41	1200 × 1800 × 500	140-041	141-041	143-041	140-141	142-041	142-141
42	1200 × 1800 × 600	140-042	141-042	143-042	140-142	142-042	142-142
43	1200 × 2000 × 400	140-043	141-043	143-043	140-143	142-043	142-143
44	1200 × 2000 × 500	140-044	141-044	143-044	140-144	142-044	142-144
45	1200 × 2000 × 600	140-045	141-045	143-045	140-145	142-045	142-145
46	1200 × 2000 × 800	140-046	141-046	143-046	140-146	142-046	142-146
47	1200 × 2200 × 600	140-047	141-047	143-047	140-147	142-047	142-147
48	1200 × 2200 × 800	140-048	141-048	143-048	140-148	142-048	142-148



**RR**  
IP 55

#### Scope of delivery:

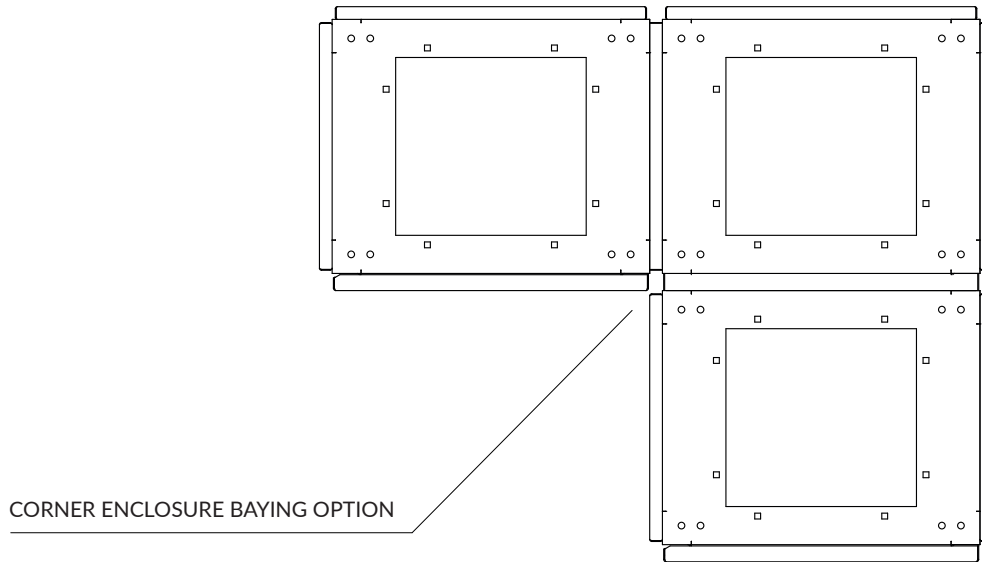
Assembled enclosure with door and rear wall, without mounting plate and side panels. The mounting plate, lock insert, side panels and other items must be ordered separately.

The following table presents empty, corner enclosures.

No.	Dimensions (W × H × D mm)	Catalogue No. RR-C	Catalogue No. RR-ZN-C	Catalogue No. RR-AL-C	Catalogue No. RR-OH-C	Catalogue No. RR-KO-C
1	400 × 400 × 2000	144-001	144-101	144-201	144-301	144-401
2	500 × 500 × 1200	144-002	144-102	144-202	144-302	144-402
3	500 × 500 × 1600	144-003	144-103	144-203	144-303	144-403
4	500 × 500 × 1800	144-004	144-104	144-204	144-304	144-404
5	500 × 500 × 2000	144-005	144-105	144-205	144-305	144-405
6	600 × 600 × 1200	144-006	144-106	144-206	144-306	144-406
7	600 × 600 × 1600	144-007	144-107	144-207	144-307	144-407
8	600 × 600 × 1800	144-008	144-108	144-208	144-308	144-408
9	600 × 600 × 2000	144-009	144-109	144-209	144-309	144-409
10	800 × 800 × 1200	144-010	144-110	144-210	144-310	144-410
11	800 × 800 × 1600	144-011	144-111	144-211	144-311	144-411
12	800 × 800 × 1800	144-012	144-112	144-212	144-312	144-412
13	800 × 800 × 2000	144-013	144-113	144-213	144-313	144-413
14	800 × 800 × 2200	144-014	144-114	144-214	144-314	144-414



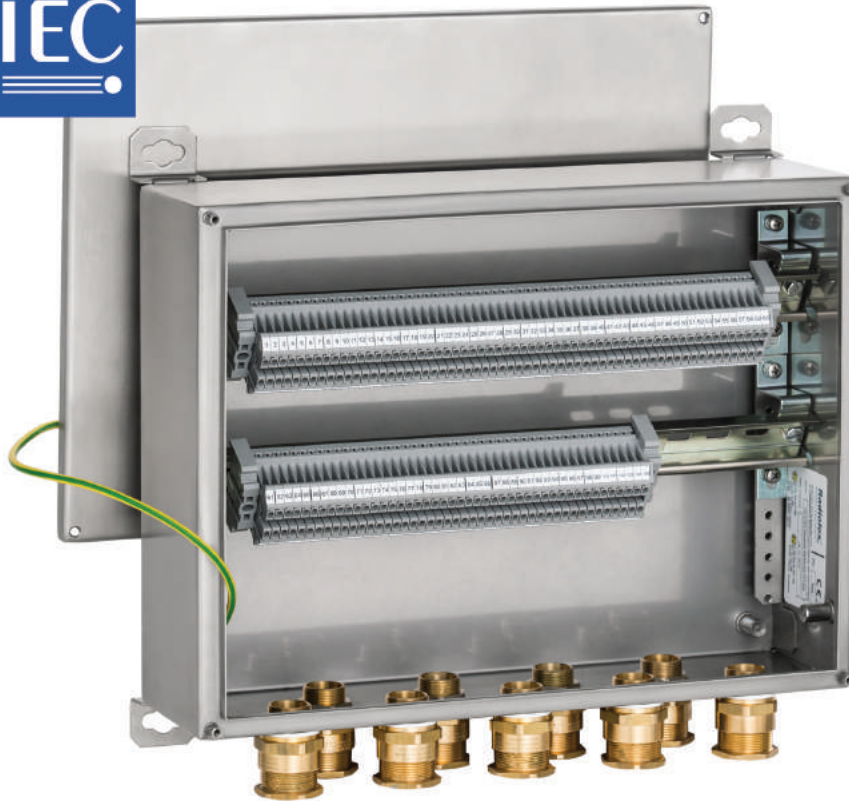
**RR**  
IP 55



Scope of delivery:  
Assembled enclosure with 2 side panels.

# ENCLOSURES AND SWITCHGEARS WITH ATEX CERTIFICATE

## for potentially explosive atmospheres NEW SERIES OF ENCLOSURES AND SWITCHGEARS



A wide range of enclosures and switchgears in explosion-proof version allows you to freely arrange the certified apparatus and devices. Radiolex cooperates with many manufacturers of Ex components. In connection with the above, our solutions are characterized by high flexibility towards the customer's requirements. Our own production line located in Poland significantly reduces the time of product completion. ATEX Certificates for components and devices are separate documents and only qualified manufacturers such as Radiolex have the possibility to give their own ATEX certificates for fully equipped devices.

*Enclosures and switchgears of Radiolex meet the requirements of Directive 2014/34 / EU and the global IECEx standard.*





## Compact enclosure RSA-ATEX IP 66

RSA-ATEX – is a small wall-mounted enclosure, universal in terms of configuration and use in potentially explosive atmospheres. The standard offer includes 63 dimensions. Tables with catalogue numbers are available on the following pages of the catalogue.

Type	Corrosivity category	Material / additional description	Coating
RSA-ATEX-OH	C4**	stainless steel 1.4301 (AISI 304)	BRUSHED
RSA-ATEX-KO	C5-I (M)**	acid-proof steel 1.4404 (AISI 316L)	BRUSHED

### General information:

- Enclosure sign:
  - II 2G Ex eb II Gb
  - II 2D Ex tb IIIC Db
- Meeting the requirements of standards such as: PN-EN 60079:2013 (EN 60079-0:2012); PN-EN 60079-7:2016 (EN 60079-7:2007); PN-EN 60079-31:2014 (EN 60079-31:2014) confirmed with EC-type examination certificate No. OBAC 15 ATEX 0203U
- Ingress protection according to IP code: 66
- Impact resistance according to IK code: 08
- Operating temperature range: -30 – +80°C

### Basic data:

- Body: monobloc type, welded
- Closure: hinged door with 105° opening angle; enclosures up to 400 mm height have one D5 type lock, 500-800 mm – two, and higher – three locks of the same type
- Mounting plate: in each version is made of 2 mm thick galvanized steel sheet
- Cable entry: there is a gland plate in the bottom, its dimensions depend on the width of the enclosure
- Grounding: threaded grounding studs in the door and enclosure body
- Other information: The enclosure is equipped with removable wall mounting brackets.



Download product data sheet!

Description	Page
Mounting plates	95
Vertical beams	100-101
Modular constructions	102-103
Internal doors	106-107

### Additional options:

- Unusual dimensions
- Punching for cable glands
- Painting to any color according to the RAL palette

The technical documentation is available on pages 154-155

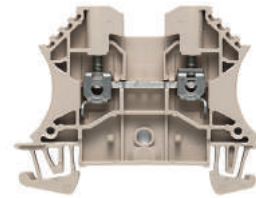
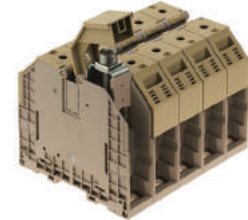
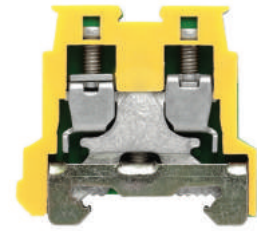
The following table presents enclosures equipped with a mounting plate.

No.	Dimensions (W × H × D mm)	Catalogue No. RSA-ATEX-OH	Catalogue No. RSA-ATEX-KO
1	200 × 300 × 150	116-001	116-101
2	300 × 200 × 150	116-002	116-102
3	300 × 300 × 150	116-003	116-103
4	300 × 300 × 210	116-004	116-104
5	300 × 300 × 250	116-005	116-105
6	300 × 400 × 150	116-006	116-106
7	300 × 400 × 210	116-007	116-107
8	300 × 400 × 250	116-008	116-108
9	300 × 500 × 210	116-009	116-109
10	400 × 300 × 150	116-010	116-110
11	400 × 300 × 210	116-011	116-111
12	400 × 300 × 250	116-012	116-112
13	400 × 400 × 150	116-013	116-113
14	400 × 400 × 210	116-014	116-114
15	400 × 400 × 250	116-015	116-115
16	400 × 400 × 300	116-016	116-116
17	400 × 500 × 210	116-017	116-117
18	400 × 500 × 250	116-018	116-118
19	400 × 500 × 300	116-019	116-119
20	400 × 600 × 210	116-020	116-120
21	400 × 600 × 250	116-021	116-121
22	400 × 600 × 300	116-022	116-122
23	400 × 800 × 210	116-023	116-123
24	400 × 800 × 250	116-024	116-124
25	400 × 800 × 300	116-025	116-125
26	400 × 1000 × 250	116-026	116-126
27	400 × 1000 × 300	116-027	116-127
28	500 × 500 × 210	116-028	116-128
29	500 × 500 × 300	116-029	116-129
30	500 × 600 × 210	116-030	116-130
31	500 × 600 × 250	116-031	116-131
32	500 × 600 × 300	116-032	116-132
33	500 × 700 × 250	116-033	116-133
34	600 × 400 × 210	116-034	116-134
35	600 × 400 × 250	116-035	116-135
36	600 × 400 × 300	116-036	116-136
37	600 × 500 × 300	116-037	116-137
38	600 × 600 × 210	116-038	116-138
39	600 × 600 × 250	116-039	116-139
40	600 × 600 × 300	116-040	116-140
41	600 × 600 × 400	116-041	116-141
42	600 × 800 × 210	116-042	116-142
43	600 × 800 × 250	116-043	116-143
44	600 × 800 × 300	116-044	116-144
45	600 × 800 × 400	116-045	116-145
46	600 × 1000 × 250	116-046	116-146
47	600 × 1000 × 300	116-047	116-147
48	600 × 1000 × 400	116-048	116-148
49	600 × 1200 × 250	116-049	116-149
50	600 × 1200 × 300	116-050	116-150
51	600 × 1200 × 400	116-051	116-151
52	800 × 600 × 250	116-052	116-152
53	800 × 600 × 300	116-053	116-153
54	800 × 800 × 210	116-054	116-154
55	800 × 800 × 250	116-055	116-155
56	800 × 800 × 300	116-056	116-156
57	800 × 800 × 400	116-057	116-157
58	800 × 1000 × 250	116-058	116-158
59	800 × 1000 × 300	116-059	116-159
60	800 × 1000 × 400	116-060	116-160
61	800 × 1200 × 250	116-061	116-161
62	800 × 1200 × 300	116-062	116-162
63	800 × 1200 × 400	116-063	116-163



**RSA**  
ATEX  
IP 66

Scope of delivery:  
Assembled enclosure with a key.



Terminal blocks



Intrinsically safe signal  
converters



Ex 4.5 kW air conditioner



The following table presents empty enclosures.

Lp.	Dimensions (W × H × D mm)	Catalogue No. RSA-ATEX-OH-N	Catalogue No. RSA-ATEX-KO-N
1	200 × 300 × 150	116-201	116-301
2	300 × 200 × 150	116-202	116-302
3	300 × 300 × 150	116-203	116-303
4	300 × 300 × 210	116-204	116-304
5	300 × 300 × 250	116-205	116-305
6	300 × 400 × 150	116-206	116-306
7	300 × 400 × 210	116-207	116-307
8	300 × 400 × 250	116-208	116-308
9	300 × 500 × 210	116-209	116-309
10	400 × 300 × 150	116-210	116-310
11	400 × 300 × 210	116-211	116-311
12	400 × 300 × 250	116-212	116-312
13	400 × 400 × 150	116-213	116-313
14	400 × 400 × 210	116-214	116-314
15	400 × 400 × 250	116-215	116-315
16	400 × 400 × 300	116-216	116-316
17	400 × 500 × 210	116-217	116-317
18	400 × 500 × 250	116-218	116-318
19	400 × 500 × 300	116-219	116-319
20	400 × 600 × 210	116-220	116-320
21	400 × 600 × 250	116-221	116-321
22	400 × 600 × 300	116-222	116-322
23	400 × 800 × 210	116-223	116-323
24	400 × 800 × 250	116-224	116-324
25	400 × 800 × 300	116-225	116-325
26	400 × 1000 × 250	116-226	116-326
27	400 × 1000 × 300	116-227	116-327
28	500 × 500 × 210	116-228	116-328
29	500 × 500 × 300	116-229	116-329
30	500 × 600 × 210	116-230	116-330
31	500 × 600 × 250	116-231	116-331
32	500 × 600 × 300	116-232	116-332
33	500 × 700 × 250	116-233	116-333
34	600 × 400 × 210	116-234	116-334
35	600 × 400 × 250	116-235	116-335
36	600 × 400 × 300	116-236	116-336
37	600 × 500 × 300	116-237	116-337
38	600 × 600 × 210	116-238	116-338
39	600 × 600 × 250	116-239	116-339
40	600 × 600 × 300	116-240	116-340
41	600 × 600 × 400	116-241	116-341
42	600 × 800 × 210	116-242	116-342
43	600 × 800 × 250	116-243	116-343
44	600 × 800 × 300	116-244	116-344
45	600 × 800 × 400	116-245	116-345
46	600 × 1000 × 250	116-246	116-346
47	600 × 1000 × 300	116-247	116-347
48	600 × 1000 × 400	116-248	116-348
49	600 × 1200 × 250	116-249	116-349
50	600 × 1200 × 300	116-250	116-350
51	600 × 1200 × 400	116-251	116-351
52	800 × 600 × 250	116-252	116-352
53	800 × 600 × 300	116-253	116-353
54	800 × 800 × 210	116-254	116-354
55	800 × 800 × 250	116-255	116-355
56	800 × 800 × 300	116-256	116-356
57	800 × 800 × 400	116-257	116-357
58	800 × 1000 × 250	116-258	116-358
59	800 × 1000 × 300	116-259	116-359
60	800 × 1000 × 400	116-260	116-360
61	800 × 1200 × 250	116-261	116-361
62	800 × 1200 × 300	116-262	116-362
63	800 × 1200 × 400	116-263	116-363



Brass glands



Plastic glands



Surge arresters



100 W Ex heater



Ex thermostat



**RSA**  
ATEX  
IP 66

Scope of delivery:  
Assembled enclosure with a key.



## Terminal box OZ-ATEX IP 66

OZ-ATEX – is a small wall-mounted enclosure with compact dimensions and high tightness for use in potentially explosive atmospheres. The standard offer includes 24 dimensions. Tables with catalogue numbers are available on the following pages of the catalogue.



Download product data sheet!

Type	Corrosivity category	Material / additional description	Coating
OZ-ATEX-OH	C4**	stainless steel 1.4301 (AISI 304)	BRUSHED
OZ-ATEX-KO	C5-I (M)**	acid-proof steel 1.4404 (AISI 316L)	BRUSHED

### General information:

- Enclosure sign:
  - II 2G Ex eb II Gb
  - II 2D Ex tb IIIC Db
- Meeting the requirements of standards such as: PN-EN 60079:2013 (EN 60079-0:2012); PN-EN 60079-7:2016 (EN 60079-7:2007); PN-EN 60079-31:2014 (EN 60079-31:2014) confirmed with EC-type examination certificate No. OBAC 15 ATEX 0203U
- Ingress protection according to IP code: 66
- Impact resistance according to IK code: 08
- Operating temperature range: -30 – +80°C

### Basic data:

- Body: monobloc type, welded
- Closure: cover closed with four screws provided with lock washers to ensure tight closing
- Grounding: threaded grounding studs in the cover and enclosure body
- Other information: There are perforated angle bars inside the enclosure for mounting TS-35 rail or mounting plate. The enclosure is equipped with removable wall mounting brackets.

Description	Page
Mounting plates	94
DIN rails TS-35	94
Modular covers	94

### Additional options:

- Unusual dimensions
- Punching in the door, body or mounting plate
- Painting to any color according to the RAL palette

The technical documentation is available on pages 154–155

The following table presents empty enclosures.

No.	Dimensions (W × H × D mm)	Catalogue No. OZ-ATEX-OH	Catalogue No. OZ-ATEX-KO
1	150 × 150 × 80	117-001	117-101
2	200 × 150 × 80	117-002	117-102
3	200 × 200 × 80	117-003	117-103
4	200 × 250 × 80	117-004	117-104
5	250 × 250 × 80	117-005	117-105
6	250 × 300 × 80	117-006	117-106
7	300 × 300 × 80	117-007	117-107
8	400 × 300 × 80	117-008	117-108
9	150 × 150 × 100	117-009	117-109
10	200 × 150 × 100	117-010	117-110
11	200 × 200 × 100	117-011	117-111
12	200 × 250 × 100	117-012	117-112
13	250 × 250 × 100	117-013	117-113
14	250 × 300 × 100	117-014	117-114
15	300 × 300 × 100	117-015	117-115
16	400 × 300 × 100	117-016	117-116
17	150 × 150 × 120	117-017	117-117
18	200 × 150 × 120	117-018	117-118
19	200 × 200 × 120	117-019	117-119
20	200 × 250 × 120	117-020	117-120
21	250 × 250 × 120	117-021	117-121
22	250 × 300 × 120	117-022	117-122
23	300 × 300 × 120	117-023	117-123
24	400 × 300 × 120	117-024	117-124



**OZ**  
ATEX  
IP 66

### Exemplary accessories



Locking screws



Cable inlets



Brass plugs



Plastic plugs

Scope of delivery:  
Assembled enclosure without mounting plate, TS-35 rail and modular cover.



## Polycarbonate enclosure **ARCA IEC IP 66**

ARCA – Excellent durability and protection in the most difficult conditions. Easy assembly and operation. These features are the result of innovation and listening to the market needs.



[Download product data sheet!](#)

Type	Corrosivity category	Material / additional description	Coating
ARCA	C5	polycarbonate with the addition of fiberglass	RAL7035

### General information:

- Ingress protection according to IP code: 66
- Impact resistance according to IK code: 10
- Operating temperature range: -40 – +80°C
- UV resistance
- II class of insulation (total insulation)
- Self-extinguishing material

### Basic data:

- Body: monobloc type
- Closure: hinged door with 120° opening angle; the possibility of independent change of the door opening direction; enclosures up to 300 mm height have one double-bit lock, and higher - two locks of the same type
- Mounting plate: in each version is made of galvanized steel sheet
- Other information: The door has an internal stiffening.

### Additional options:

- Transparent door
- Internal door
- DIN rail (TS-35) frame set with covers
- Closure with a handle
- Pertinax mounting plate or perforated galvanized steel mounting plate
- Pole mounting kit

The following table presents enclosures equipped with a mounting plate.

No.	Dimensions (W × H × D mm)	Catalogue No. ARCA
1	200 × 300 × 150	5.8120002
2	300 × 400 × 150	5.8120006
3	300 × 400 × 210	5.8120007
4	400 × 500 × 210	5.8120011
5	400 × 600 × 210	5.8120012
6	500 × 700 × 300	5.8120017
7	600 × 800 × 300	5.8120019

The following table presents empty enclosures.

No.	Dimensions (W × H × D mm)	Catalogue No. ARCA-N
1	200 × 300 × 150	5.8120002N
2	300 × 400 × 150	5.8120006N
3	300 × 400 × 210	5.8120007N
4	400 × 500 × 210	5.8120011N
5	400 × 600 × 210	5.8120012N
6	500 × 700 × 300	5.8120017N
7	600 × 800 × 300	5.8120019N

The following table presents enclosures with transparent door, equipped with a mounting plate.

No.	Dimensions (W × H × D mm)	Catalogue No. ARCA
1	200 × 300 × 150	5.8120122
2	300 × 400 × 150	5.8120126
3	300 × 400 × 210	5.8120127
4	400 × 500 × 210	5.8120131
5	400 × 600 × 210	5.8120132
6	500 × 700 × 300	5.8120137
7	600 × 800 × 300	5.8120139

The following table presents enclosures equipped with a mounting plate and closure with a handle.

No.	Dimensions (W × H × D mm)	Catalogue No. ARCA
1	300 × 400 × 150	5.8120086
2	300 × 400 × 210	5.8120087
3	400 × 500 × 210	5.8120091
4	400 × 600 × 210	5.8120092
5	500 × 700 × 300	5.8120097
6	600 × 800 × 300	5.8120099

### Exemplary accessories



Internal door



DIN rail (TS-35) frame set



Wall brackets



**ARCA**  
IP 66

Scope of delivery:  
Enclosure with mounting plate. | Empty enclosure.



19-inch compact enclosure **RSC IP 66**

19-inch compact outdoor enclosure **SZC IP 55**

RSC and SZC – are small wall-mounted or floor-standing enclosures characterized by factory-installed 19-inch rack. RSC is a monoblock enclosure dedicated for indoor applications and SZC is an enclosure with a roof, characterized by high corrosion protection properties for use in outdoor conditions. The standard offer includes 21 dimensions. Tables with catalogue numbers are available on the following pages of the catalogue.



Download product data sheet!

Type	Corrosivity category	Material / additional description	Coating
RSC	C2	steel sheet	RAL7035
SZC	C3	galvanized steel sheet	RAL7035
SZC-MG	C4	magnelis sheet	RAL7035

**General information:**

- Ingress protection according to IP code: 66/55
- Impact resistance according to IK code: 10
- Operating temperature range: -30 – +80°C

**Basic data:**

- Body: RSC – monobloc type, welded; SZC – with roof slope
- Closure: hinged door with 105° opening angle; the possibility of independent change of the door opening direction; enclosures up to 500 mm height have one D5 type lock whereas higher enclosures have two locks of the same type
- 19 inch rack: single, perforated, made of 2 mm thick galvanized steel sheet, adjustable on the depth of the enclosure
- Cable entry: there is a gland plate in the bottom, its dimensions depend on the width of the enclosure
- Grounding: threaded grounding studs in the door and enclosure body
- Other information: The door has an internal stiffening made of perforated z-bars to facilitate mounting of additional elements.

Description	Page
Locks	90
Mounting plates	95
Vertical beams	100-101
Modular constructions	102-103
Internal doors	106-107
Plinths	115
Reinforced concrete foundations	129
Cable entry	119-121
Heaters	130
Ventilation	81
Heaters	82-83
Air conditioners	85-89

**Additional options:**

- Thermal insulation
- Increasing the operating temperature to range of -50 to +120°C
- Unusual dimensions
- Punching in the door, body or mounting plate
- Painting to any color according to the RAL palette

The technical documentation is available on pages 156-159

No.	Description (Rack Unit height - W × H × D mm)	Catalogue No. RSC	Catalogue No. SZC	Catalogue No. SZC-MG
1	5U - 600 × 300 × 400	190-001	191-001	191-101
2	7U - 600 × 400 × 400	190-002	191-002	191-102
3	9U - 600 × 500 × 400	190-003	191-003	191-103
4	12U - 600 × 600 × 400	190-004	191-004	191-104
5	16U - 600 × 800 × 400	190-005	191-005	191-105
6	21U - 600 × 1000 × 400	190-006	191-006	191-106
7	25U - 600 × 1200 × 400	190-007	191-007	191-107
8	5U - 600 × 300 × 500	190-008	191-008	191-108
9	7U - 600 × 400 × 500	190-009	191-009	191-109
10	9U - 600 × 500 × 500	190-010	191-010	191-110
11	12U - 600 × 600 × 500	190-011	191-011	191-111
12	16U - 600 × 800 × 500	190-012	191-012	191-112
13	21U - 600 × 1000 × 500	190-013	191-013	191-113
14	25U - 600 × 1200 × 500	190-014	191-014	191-114
15	5U - 600 × 300 × 600	190-015	191-015	191-115
16	7U - 600 × 400 × 600	190-016	191-016	191-116
17	9U - 600 × 500 × 600	190-017	191-017	191-117
18	12U - 600 × 600 × 600	190-018	191-018	191-118
19	16U - 600 × 800 × 600	190-019	191-019	191-119
20	21U - 600 × 1000 × 600	190-020	191-020	191-120
21	25U - 600 × 1200 × 600	190-021	191-021	191-121
22	5U - 800 × 300 × 400	190-022	191-022	191-122
23	7U - 800 × 400 × 400	190-023	191-023	191-123
24	9U - 800 × 500 × 400	190-024	191-024	191-124
25	12U - 800 × 600 × 400	190-025	191-025	191-125
26	16U - 800 × 800 × 400	190-026	191-026	191-126
27	21U - 800 × 1000 × 400	190-027	191-027	191-127
28	25U - 800 × 1200 × 400	190-028	191-028	191-128
29	5U - 800 × 300 × 500	190-029	191-029	191-129
30	7U - 800 × 400 × 500	190-030	191-030	191-130
31	9U - 800 × 500 × 500	190-031	191-031	191-131
32	12U - 800 × 600 × 500	190-032	191-032	191-132
33	16U - 800 × 800 × 500	190-033	191-033	191-133
34	21U - 800 × 1000 × 500	190-034	191-034	191-134
35	25U - 800 × 1200 × 500	190-035	191-035	191-135
36	5U - 800 × 300 × 600	190-036	191-036	191-136
37	7U - 800 × 400 × 600	190-037	191-037	191-137
38	9U - 800 × 500 × 600	190-038	191-038	191-138
39	12U - 800 × 600 × 600	190-039	191-039	191-139
40	16U - 800 × 800 × 600	190-040	191-040	191-140
41	21U - 800 × 1000 × 600	190-041	191-041	191-141
42	25U - 800 × 1200 × 600	190-042	191-042	191-142



**RSC  
SZC**

Scope of delivery:  
Assembled enclosure with a single rack and a key.



## Control Enclosure PS IP 55

PS – is a standing enclosure and has an openable upper lid, on which mounting of electrotechnical equipment is possible. Tables with catalogue numbers are available on the following pages of the catalogue.



Download product data sheet!

Type	Corrosivity category	Material / additional description	Coating
PSA	C2	steel sheet / removable rear panel; without top section	RAL7035
PSB	C2	steel sheet / fixed rear panel; without top section	RAL7035
PSC	C2	steel sheet / removable rear panel; with top section	RAL7035
PSD	C2	steel sheet / fixed rear panel; with top section	RAL7035

### General information:

- Ingress protection according to IP code: 55
- Impact resistance according to IK code: 10
- Operating temperature range: -30 – +80°C

### Basic data:

- Body: monobloc type, welded
- Lid: with mounted hydraulic gas cylinders that keeps it open
- Closure: hinged door with 105° opening angle; the possibility of independent change of the door opening direction
- Enclosures of 1000 mm width and more have double-leaf doors
- Mounting plate: in each version is made of 2 mm thick galvanized steel sheet; mounted on perforated brackets adjustable on the entire depth of the enclosure
- Cable entry: there is a gland plate in the bottom, its dimensions depend on the width of the enclosure
- Grounding: threaded grounding studs in the door and enclosure body
- Other information: The door has an internal stiffening made of perforated z-bars to facilitate mounting of additional elements.

Description	Page
Locks	90
Plinths	115-116
Cable entry	119-121
Wall brackets	130
Ventilation	81
Heaters	82-83
Air conditioners	85-89

### Additional options:

- Increasing the operating temperature to range of -50 to +120°C
- Unusual dimensions
- Punching in the door, body or mounting plate
- Painting to any color according to the RAL palette

The technical documentation is available on pages 160-161



The following table presents enclosures equipped with a mounting plate.

No.	Description – Dimensions (W × H × D / lid depth mm)	Catalogue No. PSA	Catalogue No. PSB
1	600 × 975 × 400 / 500	180-001	181-001
2	800 × 975 × 400 / 500	180-002	181-002
3	1000 × 975 × 400 / 500	180-003	181-003
4	1200 × 975 × 400 / 500	180-004	181-004
5	1400 × 975 × 400 / 500	180-005	181-005
6	1600 × 975 × 400 / 500	180-006	181-006

The following table presents enclosures equipped with a mounting plate.

No.	Description – Dimensions (W × H × D / lid depth mm)	Catalogue No. PSC	Catalogue No. PSD
1	600 × 1200 × 710 / 952	182-001	183-001
2	800 × 1200 × 710 / 952	182-002	183-002
3	1000 × 1200 × 710 / 952	182-003	183-003
4	1200 × 1200 × 710 / 952	182-004	183-004
5	1400 × 1200 × 710 / 952	182-005	183-005
6	1600 × 1200 × 710 / 952	182-006	183-006



PS

IP 55



### Exemplary accessories



Ventilation p. 81



Lighting p. 84



Locks p. 90



Plinths p. 116



## Monitor enclosure PM IP 65

PM – is an enclosure dedicated for monitor and characterized by high tightness and modern design. The standard offer includes 3 dimensions. Tables with catalogue numbers are available on the following pages of the catalogue.



Download product data sheet!

Type	Corrosivity category	Material / additional description	Coating
PM-ST	C2	steel sheet	RAL7035
PM-OH	C4**	stainless steel 1.4301 (AISI 304)	BRUSHED
PM-KO	C5-I (M)**	acid-proof steel 1.4404 (AISI 316L)	BRUSHED

### General information:

- Ingress protection according to IP code: 65
- Impact resistance according to IK code: 10
- Operating temperature range: od -30 – +80°C

### Basic data:

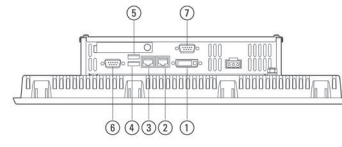
- Body: monobloc type, welded
- Cable entry: there is a gland plate in the rear panel
- Grounding: threaded grounding studs in the enclosure body



### XP500 industrial PCs by Eaton

Eaton is expanding its comprehensive HMI portfolio in the highend segment with its powerful XP500 industrial touch panel PCs: openness, sturdiness, intuitive ease-of-use – all packed in a premium, slim design. These industrial capacitive multi-touch devices with widescreen displays - with sizes of 10.1", 15.6", and 21.5" – are designed to overcome the expectations that come with a state-of-the-art, contemporary control concept for machine and system manufacturers. And yes, that's regardless of the application and pretty much regardless of the industry involved.

The AMD 1.65 GHz dual core CPU with integrated Radeon HD graphics card guarantees high processing power and high-performance graphics. Aside from two Ethernet (10/100/1000 Mbps) and USB 3.0 interfaces, the device features an RS-232 interface and an RS-485 interface. Also, a CFast removable memory card (delivered with the device - at least 4GB) can be used for operation or for data in addition to the device's internal mass storage. The display's smooth, non-reflective tempered glass is part of a special low maintenance design that includes a bezel without sharp edges. This makes it possible to clean the unit without leaving any residue, as well as to use strong cleaning agents if necessary.



XP-503...		Σ
①	DVI-I	24+5
②	Ethernet (LAN 1)	8
③	Ethernet (LAN 2)	8
④	USB 3.0	9
⑤	USB 3.0	9
⑥	RS 485/232	9
⑦	RS 232	9



**PM**  
IP 65

The following table presents empty enclosures.

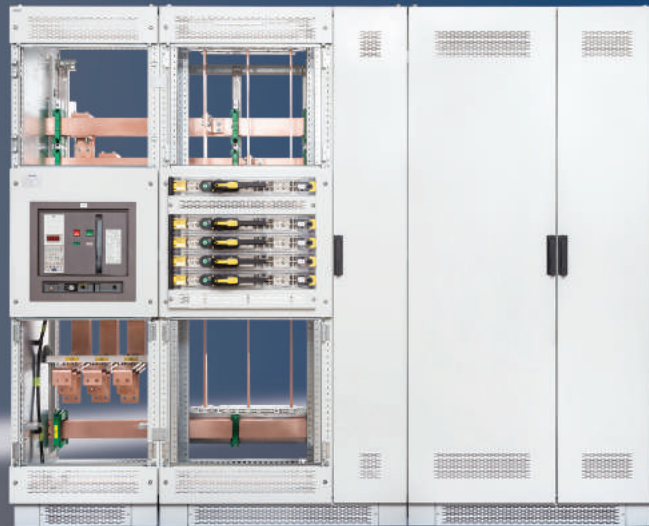
No.	Description	Catalogue No. PM-ST	Catalogue No. PM-OH	Catalogue No. PM-KO
1	Enclosure for 10.1" monitor	600-001	601-001	602-001
2	Enclosure for 15.6" monitor	600-002	601-002	602-002
3	Enclosure for 21.5" monitor	600-003	601-003	602-003

XP500 Monitor

No.	Description	Catalogue No.
1	10.1" Monitor	5.174474
2	15.6" Monitor	5.174475
3	21.5" Monitor	5.174476

#### Scope of delivery:

Assembled enclosure without handles and carrying arm (to be ordered separately). | Monitor by Eaton with Galileo Open license.



## Modulor EPE

Indoor low-voltage switchgear system for power distribution of EPE-type (Electric Power Equipment) has been provided to power public buildings and industrial plants. The system is based on the frame structure which enables easy buying. The Modulor EPE is characterized by high flexibility of both mechanical and electrical components.

Switchgear can be mounted directly on the support frame, mounting plates or DIN rails. Access to the apparatuses is possible through doors, covers or after removing panels. The modular construction allows for easy separation of the cable, device, rail and secondary circuit compartments.

Enclosures can be equipped with plinths mounted on the bottom of the cabinet to increase the functionality. Due to the wide range of additional elements you can easily choose the right switchgear application.

*We offer the system with a full type test according to the new PN-EN 61439-1 (2): 2011 standard*



[Download product data sheet!](#)

*Technical data:*

<b>Electrical parameters</b>	Rated voltage	= 690 V
	Nominal frequency	= 50 Hz
	Insulation rated voltage	= 1000 V
	Rated surge voltage withstand	= 8 kV
	Rated current of switchgear / main rails	= 2800 A
	Circuit current rating	(acc. to the main diagram)
	Rated surge short-circuit current	= 145/87 kA
	Rated short-time withstand short-circuit current	= 65/50 (1s) kA
	Power frequency rated voltage	= 2,2 kV
<b>Other parameters</b>	RDF	RDF = 0,8
	Form of internal division	2b-4b
	Location conditions	Internal
	Execution	Stationary
	Ingress protection	IP = 31
	Intended for service by qualified persons	YES
	The electromagnetic compatibility class	A
	Impact resistance	IK = 10
	Measures to protect against electric shock	Basic insulation, cover or enclosure, automatic shutdown
Plinth height	100/200 mm	
Enclosure	Steel sheet, powder coated	

**Advantages:**

- free configuration in any dimension sets
- rigid and reinforced construction
- safe and easy operation
- transparency of the connection system
- easy assembly
- possibility of shipping the Modulor system mechanical parts (for self-assembly).

**Application:**

- **Civil construction:** residential buildings, office buildings, commercial buildings, public facilities, communication facilities.
- **Industry:** metallurgical, polygraphy, electromechanical, chemical, petrochemical, food, wood, mineral, high technology, drilling platforms.





## Cable connector enclosure ZK IP 44

ZK – is a standing enclosure, designed for cable connectors, measuring or building switchgears.



Download product data sheet!

Type	Corrosivity category	Material / additional description	Coating
ZK-ZN	C3	galvanized steel sheet	RAL7035
ZK-AL	C3*	aluminum sheet	RAL7035

### General information:

- Ingress protection according to IP code: 44
- Impact resistance according to IK code: 10
- Operating temperature range: -30 – +80°C

### Basic data:

- Body: monobloc type, welded, riveted roof
- Closure: hinged door with 90° opening angle; the possibility of independent change of the door opening direction
- Mounting plate: in each version is made of 2 mm thick galvanized steel sheet; mounted on perforated brackets
- Cable entry: without bottom panel, with the possibility of mounting a blank cover
- Grounding: threaded grounding studs in the door and enclosure body

Description	Page
Locks	91
Mounting plates	99
Blank covers and base stands	118
Reinforced concrete foundations	129

### Additional options:

- Unusual dimensions
- Punching in the door, body or mounting plate
- Painting to any color according to the RAL palette

The technical documentation is available on pages 162–163

The following table presents empty enclosures.

No.	Description - Dimensions (W × H × D mm)	No. of chambers	Catalogue No. ZK-ZN	Catalogue No. ZK-AL
1	ZK1 - 400 × 600 × 250	1	300-001	301-001
2	ZK1-W - 400 × 800 × 250	1	300-002	301-002
3	ZK1-P - 400 × 1200 × 250	2	300-003	301-003
4	ZK2 - 600 × 600 × 250	1	300-004	301-004
5	ZK2-W - 600 × 800 × 250	1	300-005	301-005
6	ZK2-P - 600 × 1200 × 250	2	300-006	301-006
7	ZK3 - 850 × 600 × 250	1	300-007	301-007
8	ZK3-W - 850 × 800 × 250	1	300-008	301-008
9	ZK3-P - 850 × 1200 × 250	2	300-009	301-009

#### Scope of delivery:

Assembled enclosure. Mounting plates, bottom blank covers, foundations must be ordered separately.



**ZK**  
IP 44



### Construction site enclosure **RB-O IP 44**

The following table presents enclosures according to the description.

No.	Description - Dimensions (W × H × D mm)	Catalogue No. RB-O-NG	Catalogue No. RB-O-SN
1	RB1 - (ZK1) - 400 × 600 × 250	310-001	311-001
2	RB2 - (ZK2) - 600 × 600 × 250	310-002	311-002
3	RB2-W - (ZK2) - 600 × 800 × 250	310-003	311-003
4	RB3 - (ZK3) - 850 × 600 × 250	310-004	311-004
5	RB3-W - (ZK3) - 850 × 800 × 250	310-005	311-005

#### Scope of delivery:

The package contains a set of elements forming RB enclosure with a set of standardized parts to be screwed together.



## Cable-distribution thermosetting cubicles SKR IP 44

SKR – is made of a thermoset fibreglass reinforced polyester which is resistant to UV radiation. The material provides high resistance to impact, torsion and a placard obstructing surface. The SKR construction enables division both vertically and horizontally into a part of energy plant of the recipient. It is possible to expand the installed connector.



[Download product data sheet!](#)

Type	Corrosivity category	Material / additional description	Coating
SKRD	C3	enclosure with a full bottom	RAL7035
SKRF	C3	enclosure with a foundation	RAL7035

### General information:

- Ingress protection according to IP code: 44
- Impact resistance according to IK code: 10
- Operating temperature range: -30 – +80°C

### Basic data:

- Body: allowing expansion of the installed connector; material resistant to UV radiation
- Closure: three-point door lock made of plastic; interlock makes it impossible to pry the door open
- Mounting plate: in each version is made of 2 mm thick galvanized steel sheet, mounted on perforated brackets

Description	Page
Locks	91
Mounting plates	100

### Additional options:

- Unusual dimensions
- Punching in the door, body or mounting plate
- Painting to any color according to the RAL palette



The following table presents empty enclosures.

No.	Description - Dimensions (W × H × D mm)	No. of chambers	Catalogue No. SKRD	Catalogue No. SKRF
1	SKR - 260 × 400 × 250	1	5.SKRD-260/400/1	5.SKRF-260/400/1
2	SKR - 260 × 600 × 250	1	5.SKRD-260/600/1	5.SKRF-260/600/1
3	SKR - 260 × 800 × 250	1	5.SKRD-260/800/1	5.SKRF-260/800/1
4	SKR - 260 × 800 × 250	2	5.SKRD-260/800/2	5.SKRF-260/800/2
5	SKR - 400 × 400 × 250	1	5.SKRD-400/400/1	5.SKRF-400/400/1
6	SKR - 400 × 600 × 250	1	5.SKRD-400/600/1	5.SKRF-400/600/1
7	SKR - 400 × 800 × 250	1	5.SKRD-400/800/1	5.SKRF-400/800/1
8	SKR - 400 × 800 × 250	2	5.SKRD-400/800/2	5.SKRF-400/800/2
9	SKR - 520 × 400 × 250	1	5.SKRD-520/400/1	5.SKRF-520/400/1
10	SKR - 520 × 400 × 250	2	5.SKRD-520/400/2	5.SKRF-520/400/2
11	SKR - 520 × 600 × 250	1	5.SKRD-520/600/1	5.SKRF-520/600/1
12	SKR - 520 × 600 × 250	2	5.SKRD-520/600/2	5.SKRF-520/600/2
13	SKR - 520 × 800 × 250	1	5.SKRD-520/800/1	5.SKRF-520/800/1
14	SKR - 520 × 800 × 250	2	5.SKRD-520/800/2	5.SKRF-520/800/2
15	SKR - 520 × 800 × 250	4	5.SKRD-520/800/4	5.SKRF-520/800/4
16	SKR - 800 × 400 × 250	1	5.SKRD-800/400/1	5.SKRF-800/400/1
17	SKR - 800 × 400 × 250	2	5.SKRD-800/400/2	5.SKRF-800/400/2
18	SKR - 800 × 600 × 250	1	5.SKRD-800/600/1	5.SKRF-800/600/1
19	SKR - 800 × 600 × 250	2	5.SKRD-800/600/2	5.SKRF-800/600/2
20	SKR - 800 × 800 × 250	1	5.SKRD-800/800/1	5.SKRF-800/800/1
21	SKR - 800 × 800 × 250	2	5.SKRD-800/800/2	5.SKRF-800/800/2
22	SKR - 800 × 800 × 250	3	5.SKRD-800/800/3	5.SKRF-800/800/3
23	SKR - 800 × 800 × 250	4	5.SKRD-800/800/4	5.SKRF-800/800/4



**SKR**  
IP 44



**Scope of delivery:**

Assembled enclosure. Mounting plates must be ordered separately.



## Construction site enclosure RB IP 44

RB – is a standing switchgear, designed for supplying construction sites, industrial, entertainment or temporary tourist facilities.



Download product data sheet!

Type	Corrosivity category	Material / additional description	Coating
RB	C3	galvanized steel sheet	RAL7035

### General information:

- Ingress protection according to IP code: 44
- Impact resistance according to IK code: 10
- Operating temperature range: -30 – +80°C

### Basic data:

- Body: monobloc type, welded, riveted roof
- Closure: hinged door with 90° opening angle; the possibility of independent change of the door opening direction
- Mounting plate: in each version is made of 2 mm thick galvanized steel sheet; mounted on perforated brackets
- Cable entry: bottom with a plug with power supply opening
- Grounding: threaded grounding studs in the door and enclosure body
- Other information: enclosure is placed on 400 mm high 4 leg base stand
- Electrical equipment:

**RB1-P-01** – Phase meter board, overcurrent protection, residual current devices, two 230V sockets, one 16A 3-phase socket, one 32A 3-phase socket;

**RB1-G-01** – Main switch, overcurrent protection, residual current devices, four 230V sockets, two 16A 3-phase sockets, two 32A 3-phase sockets.

The following table presents enclosures according to the description.

No.	Description	Catalogue No.
1	RB-1-P-01 – construction site enclosure with measuring system	265-001
2	RB-1-G-01 – construction site enclosure without measuring system	265-002

### Rated data:

- technical voltage of 500 V
- rated voltage 230/400 V
- rated current 200A (400)

Scope of delivery:  
Assembled enclosure with measuring system.

Description	Page
Locks	91
Mounting plates	99



## Cable enclosure Z IP 55

Z – is a standing enclosure, intended for installation of electrotechnical equipment and automation eg on power stations.

Type	Corrosivity category	Material / additional description	Coating
Z1	C3*	aluminum sheet	RAL7035
Z2	C3*	aluminum sheet	RAL7035
ZDA	C3*	aluminum sheet	RAL7035

### General information:

- Ingress protection according to IP code: 55
- Impact resistance according to IK code: 10
- Operating temperature range: -30 – +80°C

### Basic data:

- Body: monobloc type, welded, with roof slope screwed into the body
- Closure: front and rear hinged doors with 105° opening angle
- Cable entry: ribbed bottom
- Grounding: threaded grounding studs in the door and enclosure body; PE terminal strip(copper flat bar 5×40)
- Other information: gravitational ventilation through roof openings, secured with a filter mat; 50 mm plinth with brackets for the foundation and fire protection ribs.



[Download product data sheet!](#)

Description	Page
Locks	91
Mounting plates	99
Brackets and U-bars	135
Heaters	82-83
Reinforced concrete foundations	129

The following table presents empty enclosures.

No.	Description – Dimensions (W × H × D mm)	Catalogue No. without thermal insulation	Catalogue No. with thermal insulation
1	Z1 – 800 × 2000 × 600	320-004	321-004
2	Z2 – 1600 × 2000 × 600	320-002	–
3	ZDA – 1000 × 1435 × 550	320-003	321-003

### Scope of delivery:

Assembled enclosure. The mounting plate, foundation, vertical and horizontal beams must be ordered separately.

### Additional options:

- Painting to any color according to the RAL palette
- Enclosure with removable side panels

The technical documentation is available on pages 164-165



## Station switchgear enclosure **SWRS IP 20**

SWRS – is a standing enclosure, intended for installation of electrotechnical equipment in the form of busbar insulators also contact bays. The standard offer includes versions from 8 to 14 bays.



[Download product data sheet!](#)

Type	Corrosivity category	Material / additional description	Coating
SWRS	C3	galvanized steel sheet	RAL7035

### General information:

- Ingress protection according to IP code: 20 (door)
- Impact resistance according to IK code: 10
- Operating temperature range: -30 – +80°C

### Basic data:

- Body: monobloc type, riveted, with the possibility of serial connection
- Closure: hinged door
- Cable entry: open bottom
- Grounding: threaded grounding studs in the door and enclosure body
- Other information: current circuit extension with current cover, 300 mm high
- Internal equipment: in contact bay - perforated angle bars (with the option of installing break switches from leading manufacturers); in extension bays - angle bars with mounting plates
- Enclosure series: Depending on the configuration, the enclosure can consist of a contact bay without extension, contact bay with current circuit extension and current cover or measurement system extension

Description	Page
Locks	90

### Additional options:

- Unusual dimensions
- Painting to any color according to the RAL palette

The technical documentation is available on pages 166–167

The following table presents enclosures according to the description.

No.	Description - Dimensions (W × H × D mm)	Catalogue No.
<b>8 BAYS</b>		
1	Contact bay without extension - 860 × 1250 × 400	360-001
2	Contact bay with current circuit extension and current cover - 860 × 2200 × 400	360-002
3	Contact bay with measurement system extension and current circuit extension with current cover - 860 × 2200 × 400	360-003
<b>10 BAYS</b>		
4	Contact bay without extension - 1060 × 1250 × 400	360-004
5	Contact bay with current circuit extension and current cover - 1060 × 2200 × 400	360-005
6	Contact bay with measurement system extension and current circuit extension with current cover - 1060 × 2200 × 400	360-006
<b>12 BAYS</b>		
7	Contact bay without extension - 1260 × 1250 × 400	360-007
8	Contact bay with current circuit extension and current cover - 1260 × 2200 × 400	360-008
9	Contact bay with measurement system extension and current circuit extension with current cover - 1260 × 2200 × 400	360-009
<b>14 BAYS</b>		
10	Contact bay without extension - 1460 × 1250 × 400	360-010
11	Contact bay with current circuit extension and current cover - 1460 × 2200 × 400	360-011
12	Contact bay with measurement system extension and current circuit extension with current cover - 1460 × 2200 × 400	360-012

### Exemplary accessories



*Blank cover of cut off switch bar*

*It is used for masking unused contact bays.*

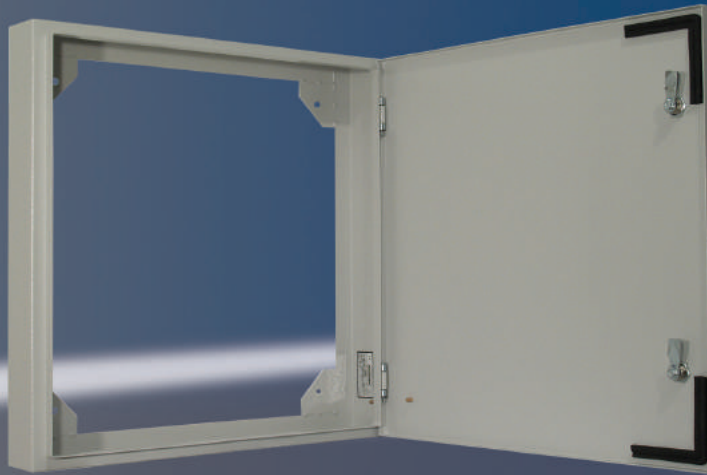
*Catalogue No. 360-099*

### Scope of delivery:

*Assembled enclosure.*



**SWRS**  
IP 20



## Enclosure for semi-indirect measurement system board **TPP**

TPP – is a wall-mounted enclosure for semi-indirect measurement system board.



Download product data sheet!

Type	Corrosivity category	Material / additional description	Coating
TPP	C2	steel sheet	RAL7035

The following table presents enclosures according to the description.

No.	Dimensions	Catalogue No.
1	500 × 600 × 100	335-001
2	600 × 600 × 100	335-002
3	900 × 600 × 100	335-003

### Scope of delivery:

Assembled enclosure with a key (D5 type).

### Additional options:

- Unusual dimensions
- Painting to any color according to the RAL palette



## Recessed enclosure **RWX IP 32**

RWX – is an enclosure designed for installation of electrotechnical equipment in the form of modular devices or electricity meters. The standard offer includes empty, modular or meter enclosures in wall-mounted or standing versions. Tables with catalogue numbers are available on the following pages of the catalogue.

Type	Corrosivity category	Material / additional description	Coating
RWX-P	C2	steel sheet / empty enclosure	RAL7035
RWX-M	C2	steel sheet / modular enclosure	RAL7035
RWX-L	C2	steel sheet / meter enclosure	RAL7035

### General information:

- Ingress protection according to IP code: 32
- Impact resistance according to IK code: 10
- Operating temperature range: -30 – +80°C

### Basic data:

- Body: monobloc type, welded; without rear panel
- Closure: hinged door with 105° opening angle; the possibility of independent change of the door opening direction; in wall-mounted version two D5 locks, in standing version the lock in the form of a handle with the possibility of mounting a latch insert with a key
- Cable entry: there is a gland plate in the bottom, its dimensions depend on the width of the enclosure
- Grounding: threaded grounding studs in the door and enclosure body



Download product data sheet!

Description	Page
Locks	90
Mounting plates	98
Carrying Channel Bar	134
Modular covers	105
Rear panels and frames	123
Plinths	117
Cable entry	120
Wall brackets	130

### Additional options:

- Unusual dimensions and internal configuration
- Painting to any color according to the RAL palette

The technical documentation is available on pages 168–169

RWX-L wall-mounted enclosures

350                      550                      750                      950                      1150

400

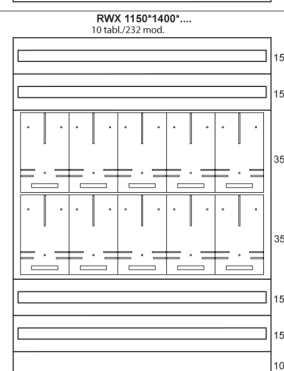
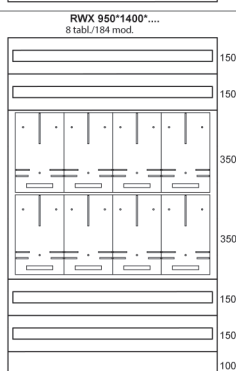
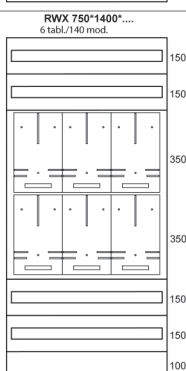
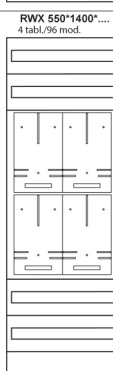
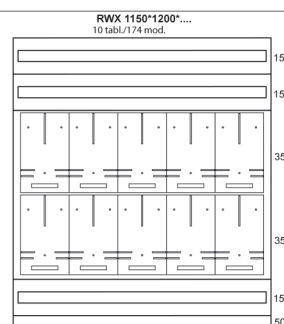
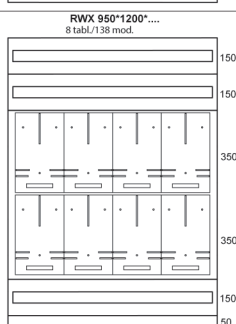
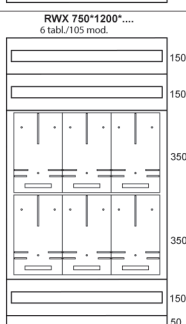
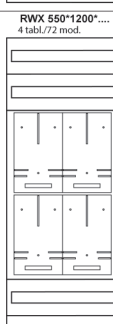
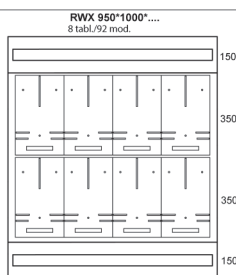
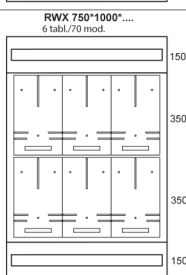
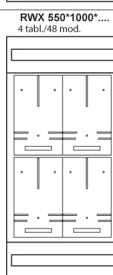
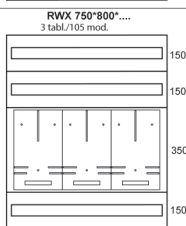
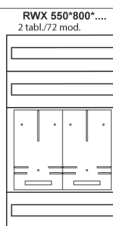
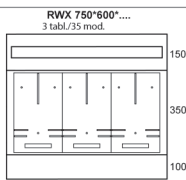
600

800

1000

1200

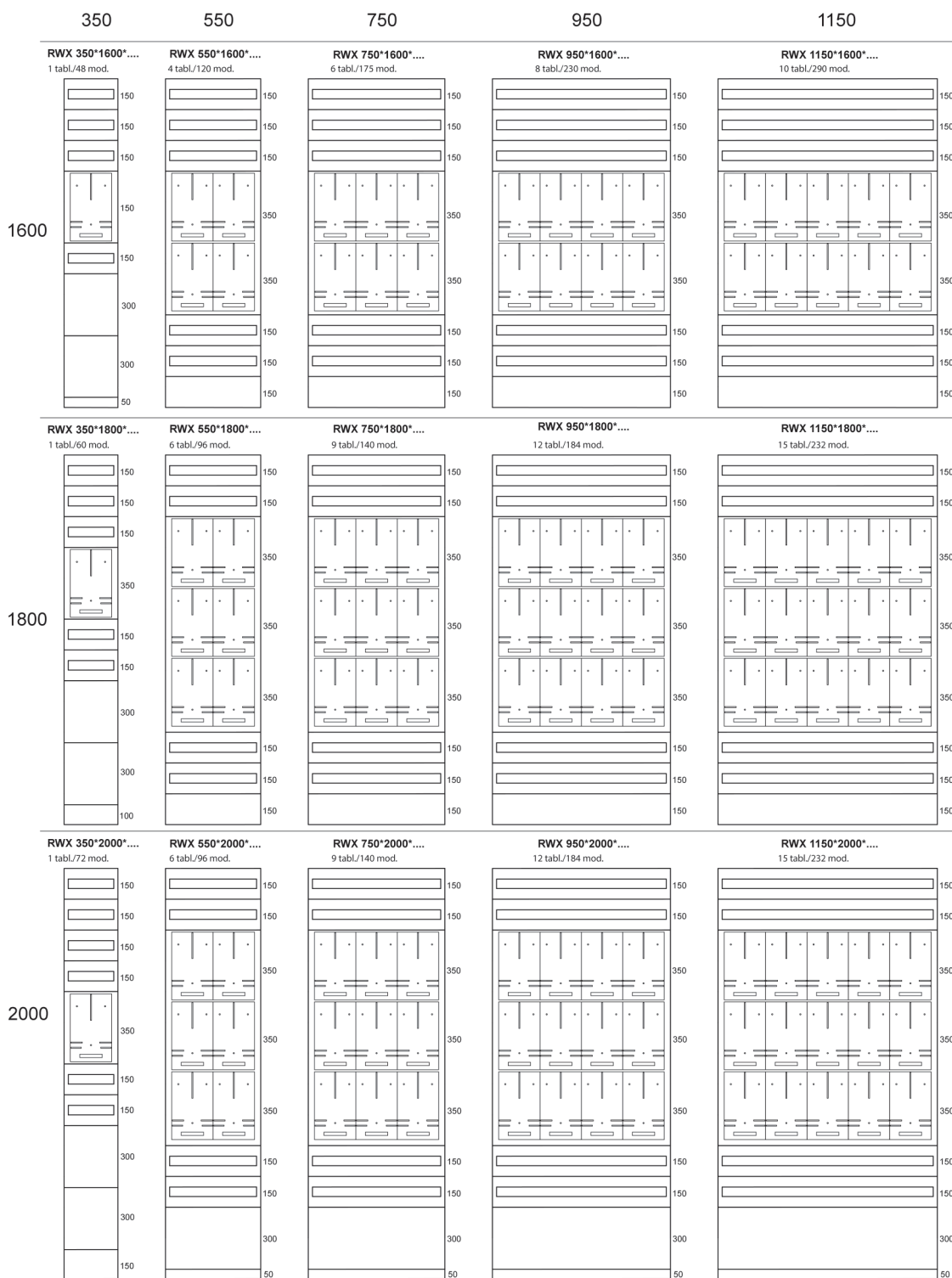
1400



**RWX**  
IP 32

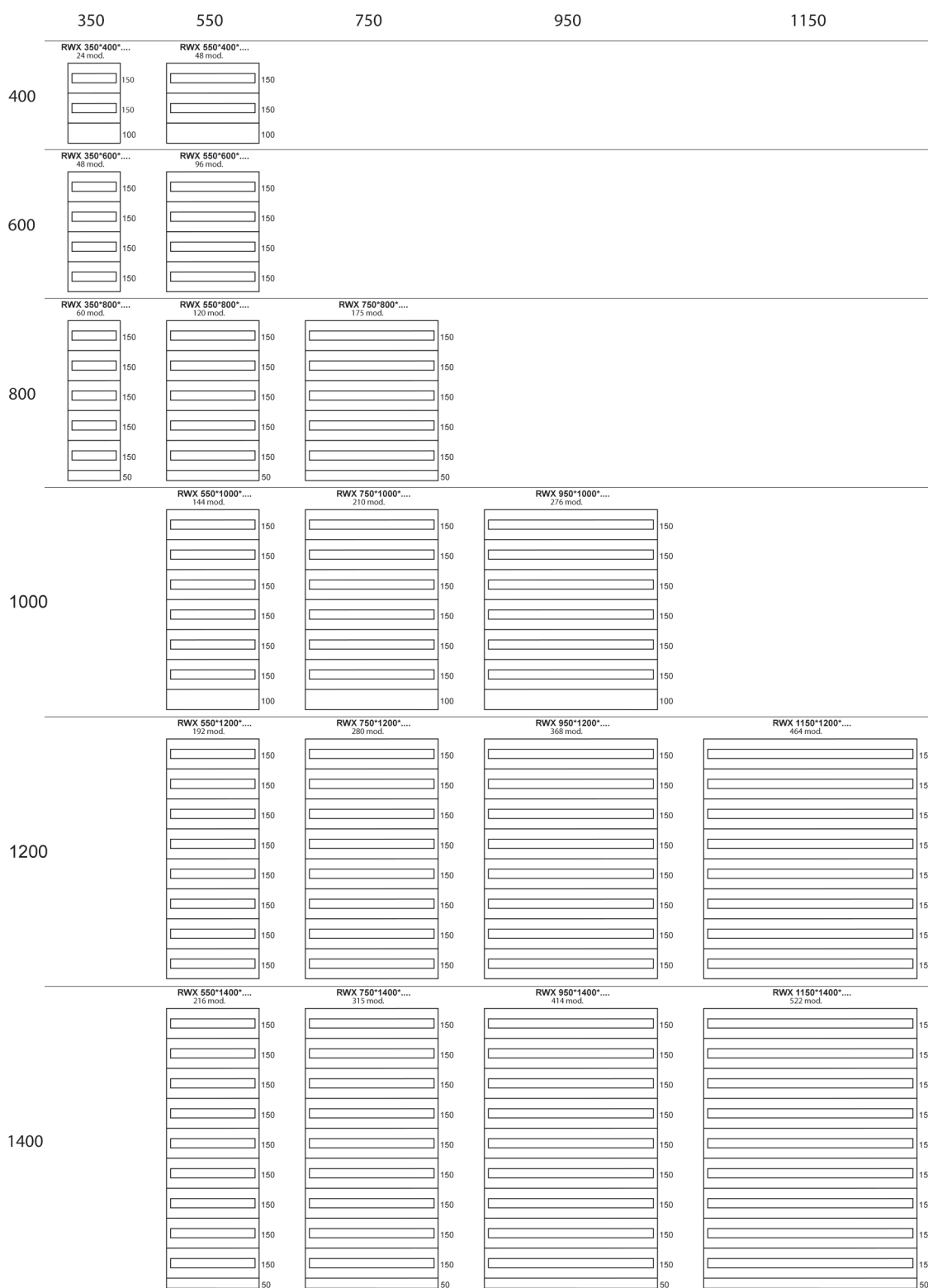


RWX-L standing enclosures

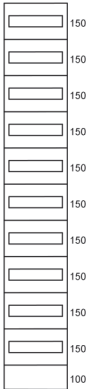
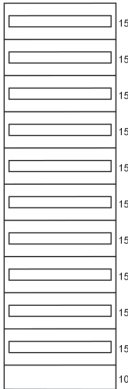
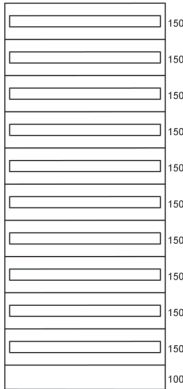
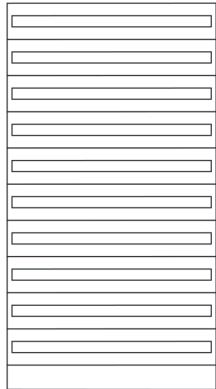
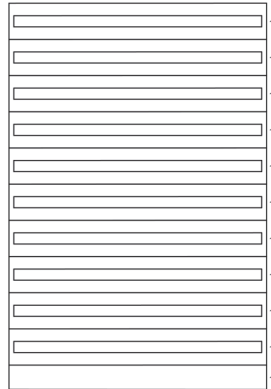
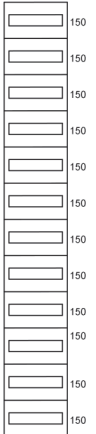
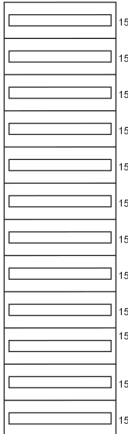
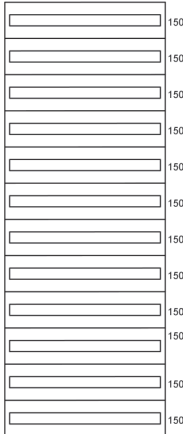
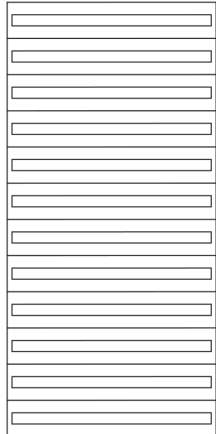
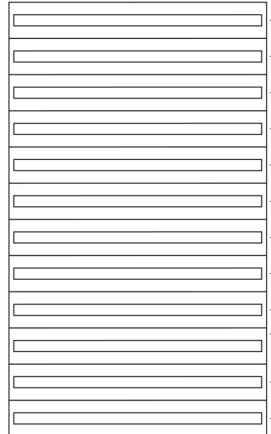
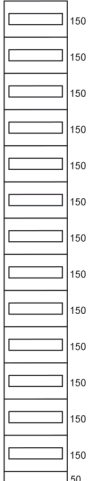
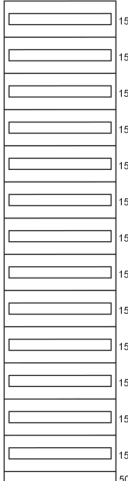

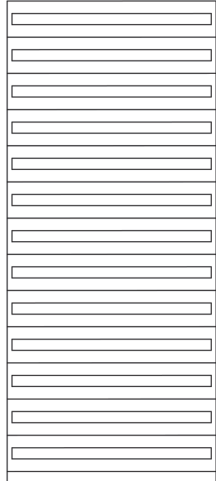
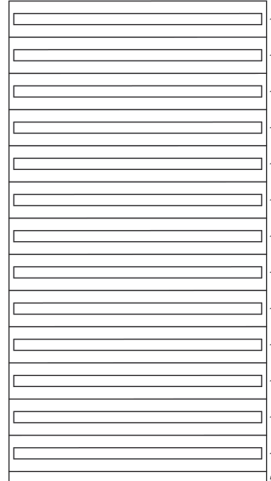


**RWX**  
IP 32

RWX-M wall-mounted enclosures



RWX-M standing enclosures

	350	550	750	950	1150		
1600	<b>RWX 350*1600*....</b> 120 mod. 	<b>RWX 550*1600*....</b> 240 mod. 	<b>RWX 750*1600*....</b> 350 mod. 	<b>RWX 950*1600*....</b> 460 mod. 	<b>RWX 1150*1600*....</b> 580 mod. 		
	1800	<b>RWX 350*1800*....</b> 144 mod. 	<b>RWX 550*1800*....</b> 288 mod. 	<b>RWX 750*1800*....</b> 420 mod. 	<b>RWX 950*1800*....</b> 552 mod. 	<b>RWX 1150*1800*....</b> 696 mod. 	
		2000	<b>RWX 350*2000*....</b> 156 mod. 	<b>RWX 550*2000*....</b> 312 mod. 	<b>RWX 750*2000*....</b> 455 mod. 	<b>RWX 950*2000*....</b> 598 mod. 	<b>RWX 1150*2000*....</b> 754 mod. 



**RWX**  
IP 32

The following table presents wall-mounted enclosures.

No.	Dimensions (W × H × D mm)	Catalogue No. RWX-P	Catalogue No. RWX-M	Catalogue No. RWX-L
1	350 × 400 × 150	200-001	201-001	-
2	350 × 400 × 250	200-002	201-002	-
3	350 × 600 × 150	200-003	201-003	-
4	350 × 600 × 250	200-004	201-004	-
5	350 × 800 × 250	200-005	201-005	-
6	550 × 400 × 150	200-006	201-006	-
7	550 × 400 × 250	200-007	201-007	-
8	550 × 600 × 150	200-008	201-008	-
9	550 × 600 × 250	200-009	201-009	-
10	550 × 800 × 150	200-010	201-010	-
11	550 × 800 × 250	200-011	201-011	202-011
12	550 × 1000 × 150	200-012	201-012	-
13	550 × 1000 × 250	200-013	201-013	202-013
14	550 × 1000 × 300	200-014	201-014	202-014
15	550 × 1200 × 250	200-015	201-015	202-015
16	550 × 1200 × 300	200-016	201-016	202-016
17	550 × 1400 × 250	200-017	201-017	202-017
18	550 × 1400 × 300	200-018	201-018	202-018
19	750 × 800 × 150	200-019	201-019	-
20	750 × 800 × 250	200-020	201-020	202-020
21	750 × 800 × 300	200-021	201-021	202-021
22	750 × 1000 × 250	200-022	201-022	202-022
23	750 × 1000 × 300	200-023	201-023	202-023
24	750 × 1200 × 250	200-024	201-024	202-024
25	750 × 1200 × 300	200-025	201-025	202-025
26	750 × 1400 × 250	200-026	201-026	202-026
27	750 × 1400 × 300	200-027	201-027	202-027
28	950 × 1000 × 150	200-028	201-028	-
29	950 × 1000 × 250	200-029	201-029	202-029
30	950 × 1000 × 300	200-030	201-030	202-030
31	950 × 1200 × 250	200-031	201-031	202-031
32	950 × 1200 × 300	200-032	201-032	202-032
33	950 × 1400 × 250	200-033	201-033	202-033
34	950 × 1400 × 300	200-034	201-034	202-034
35	1150 × 1200 × 150	200-035	201-035	-
36	1150 × 1200 × 250	200-036	201-036	202-036
37	1150 × 1200 × 300	200-037	201-037	202-037
38	1150 × 1400 × 250	200-038	201-038	202-038
39	1150 × 1400 × 300	200-039	201-039	202-039

#### Scope of delivery:

Body without rear panel, with door equipped with standard single-point D5 locks, . In RWX-M/L – modular covers with a height of 150 mm.  
In RWX-L – 3 phase meter boards and modular covers. On request, the meter board enclosure can be provided with compatible door inspection windows.

The following table presents standing enclosures.

No.	Dimensions (W × H × D mm)	Catalogue No. RWX-P	Catalogue No. RWX-M	Catalogue No. RWX-L
1	350 × 1600 × 250	200-040	201-040	202-040
2	350 × 1600 × 300	200-041	201-041	202-041
3	350 × 1800 × 250	200-042	201-042	202-042
4	350 × 1800 × 300	200-043	201-043	202-043
5	350 × 2000 × 250	200-044	201-044	202-044
6	350 × 2000 × 300	200-045	201-045	202-045
7	350 × 2000 × 400	200-046	201-046	202-046
8	550 × 1600 × 250	200-047	201-047	202-047
9	550 × 1600 × 300	200-048	201-048	202-048
10	550 × 1800 × 250	200-049	201-049	202-049
11	550 × 1800 × 300	200-050	201-050	202-050
12	550 × 1800 × 400	200-051	201-051	202-051
13	550 × 2000 × 250	200-052	201-052	202-052
14	550 × 2000 × 300	200-053	201-053	202-053
15	550 × 2000 × 400	200-054	201-054	202-054
16	750 × 1600 × 250	200-055	201-055	202-055
17	750 × 1600 × 300	200-056	201-056	202-056
18	750 × 1800 × 250	200-057	201-057	202-057
19	750 × 1800 × 300	200-058	201-058	202-058
20	750 × 1800 × 400	200-059	201-059	202-059
21	750 × 2000 × 250	200-060	201-060	202-060
22	750 × 2000 × 300	200-061	201-061	202-061
23	750 × 2000 × 400	200-062	201-062	202-062
24	950 × 1600 × 250	200-063	201-063	202-063
25	950 × 1600 × 300	200-064	201-064	202-064
26	950 × 1800 × 250	200-065	201-065	202-065
27	950 × 1800 × 300	200-066	201-066	202-066
28	950 × 1800 × 400	200-067	201-067	202-067
29	950 × 2000 × 250	200-068	201-068	202-068
30	950 × 2000 × 300	200-069	201-069	202-069
31	950 × 2000 × 400	200-070	201-070	202-070
32	1150 × 1600 × 250	200-071	201-071	202-071
33	1150 × 1600 × 300	200-072	201-072	202-072
34	1150 × 1800 × 250	200-073	201-073	202-073
35	1150 × 1800 × 300	200-074	201-074	202-074
36	1150 × 1800 × 400	200-075	201-075	202-075
37	1150 × 2000 × 250	200-076	201-076	202-076
38	1150 × 2000 × 300	200-077	201-077	202-077
39	1150 × 2000 × 400	200-078	201-078	202-078



**RWX**  
IP 32

#### Scope of delivery:

Body without rear panel, with door equipped with standard single-point D5 locks. In RWX-M / L - modular covers with a height of 150 mm. In RWX-L - 3 phase meter boards and modular covers. On request, the meter board enclosure can be provided with compatible door inspection windows.



## Revision door DR

DR – are used for masking technological openings of all types of installations in industrial or residential buildings. The structure consists of a frame and a door. The frame is attached to the opening with help of handles and the door is embedded in covered hinges.



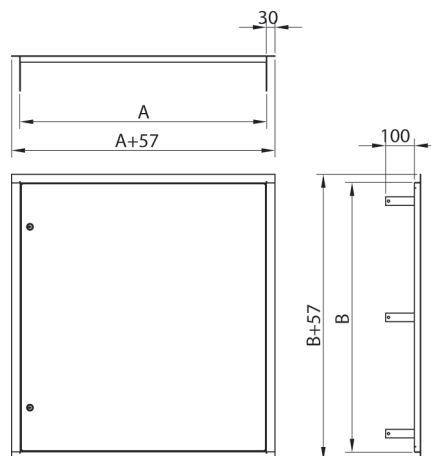
Download product data sheet!

Type	Corrosivity category	Material	Coating
DR-ST	C2	steel sheet	RAL9003
DR-ZN	C3	galvanized steel sheet	RAL9003

### Basic data:

- Closure: hinged door with 105° opening angle; the possibility of independent change of the door opening direction; doors up to 500 mm height have one Z-0233 type lock whereas higher doors have two locks of the same type
- Grounding: threaded grounding studs in the door and frame

Technical drawing



### Additional options:

- Unusual dimensions
- Painting to any color according to the RAL palette

The following table presents doors according to the description.

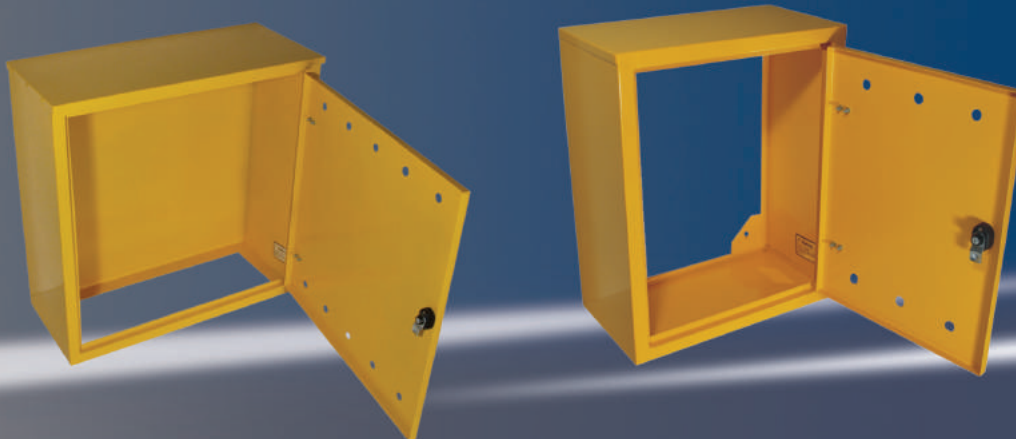
No.	Dimensions (W × H mm)	Catalogue No. DR-ST	Catalogue No. DR-ZN
1	200 × 200	240-001	241-001
2	200 × 300	240-002	241-002
3	300 × 200	240-003	241-003
4	300 × 300	240-004	241-004
5	300 × 400	240-005	241-005
6	400 × 300	240-006	241-006
7	400 × 400	240-007	241-007
8	400 × 500	240-008	241-008
9	500 × 400	240-009	241-009
10	500 × 500	240-010	241-010
11	500 × 600	240-011	241-011
12	600 × 500	240-012	241-012
13	600 × 600	240-013	241-013
14	600 × 800	242-001	243-001
15	600 × 1000	242-002	243-002
16	600 × 1200	242-003	243-003
17	600 × 1400	242-004	243-004
18	600 × 1600	242-005	243-005
19	600 × 1800	242-006	243-006
20	600 × 2000	242-007	243-007
21	800 × 800	242-008	243-008
22	800 × 1000	242-009	243-009
23	800 × 1200	242-010	243-010
24	800 × 1400	242-011	243-011
25	800 × 1600	242-012	243-012
26	800 × 1800	242-013	243-013
27	800 × 2000	242-014	243-014
28	1000 × 800	244-001	245-001
29	1000 × 1000	244-002	245-002
30	1000 × 1200	244-003	245-003
31	1000 × 1400	244-004	245-004
32	1000 × 1600	244-005	245-005
33	1000 × 1800	244-006	245-006
34	1000 × 2000	244-007	245-007
35	1200 × 800	244-008	245-008
36	1200 × 1000	244-009	245-009
37	1200 × 1200	244-010	245-010
38	1200 × 1400	244-011	245-011
39	1200 × 1600	244-012	245-012
40	1200 × 1800	244-013	245-013
41	1200 × 2000	244-014	245-014



DR

**Scope of delivery:**

Door with a frame, small patent lock and two keys.



## Gas meter box OG

OG – standing or wall-mounted enclosure, it is used for covering external gas installations.

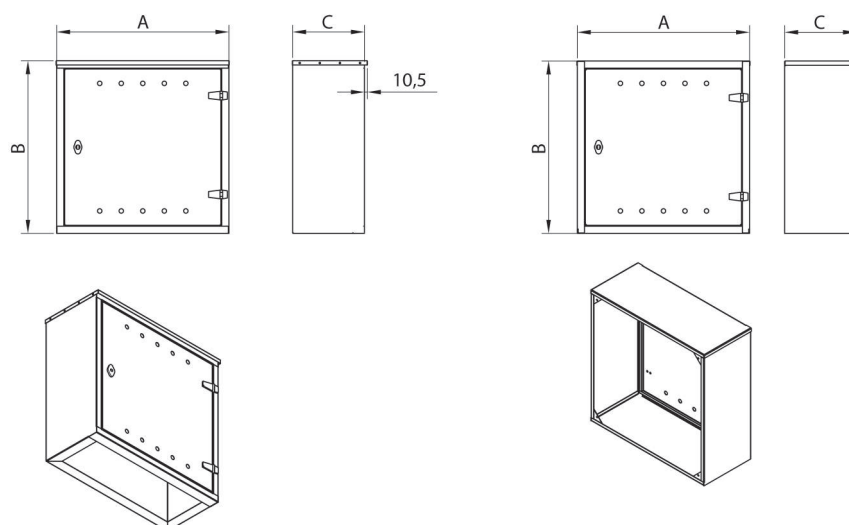


Download product data sheet!

Type	Corrosivity category	Material / additional description	Coating
OG-F	C3	galvanized steel sheet / mounting on concrete foundation	RAL1003
OG-N	C3	galvanized steel sheet / wall-mounted	RAL1003

### Basic data:

- Closure: hinged door with 105° opening angle; enclosures up to 500 mm height have one OG-L type lock whereas higher enclosures have two locks of the same type



Technical drawing

### Additional options:

- Unusual dimensions
- Painting to any color according to the RAL palette



The following table presents enclosures according to the description.

No.	Dimensions (W × H × D mm)	Catalogue No. OG-F	Catalogue No. OG-N
1	250 × 300 × 150	251-001	252-001
2	300 × 300 × 250	251-002	252-002
3	400 × 400 × 250	251-003	252-003
4	400 × 500 × 220	251-004	252-004
5	400 × 500 × 250	251-005	252-005
6	500 × 500 × 220	251-006	252-006
7	500 × 500 × 250	251-007	252-007
8	500 × 600 × 220	251-008	252-008
9	500 × 600 × 250	251-009	252-009
10	600 × 600 × 220	251-010	252-010
11	600 × 600 × 250	251-011	252-011
12	600 × 800 × 220	251-012	252-012
13	600 × 800 × 250	251-013	252-013
14	600 × 1000 × 220	251-014	252-014
15	600 × 1000 × 250	251-015	252-015
16	600 × 1200 × 250	251-016	252-016
17	800 × 800 × 220	251-017	252-017
18	800 × 800 × 250	251-018	252-018
19	800 × 1000 × 250	251-019	252-019
20	800 × 1200 × 250	251-020	252-020
21	1000 × 1000 × 300	251-021	252-021
22	1000 × 1000 × 400	251-022	252-022
23	1000 × 1000 × 500	251-023	252-023
24	1000 × 1200 × 400	251-024	252-024
25	1000 × 1200 × 500	251-025	252-025
26	1200 × 1200 × 400	251-026	252-026
27	1200 × 1200 × 500	251-027	252-027

### Exemplary accessories



Reinforced concrete foundations  
p. 129

### Scope of delivery:

Assembled enclosure with a lock and key.





## Storey enclosure ZELP

ZELP – standing enclosure, used for assembling electrotechnical equipment in rising mains of residential buildings.



Download product data sheet!

Type	Corrosivity category	Material	Coating
ZELP	C2	steel sheet	RAL7035

### Basic data:

- Body: monobloc type, welded; without rear panel
- Closure: hinged door with 105° opening angle; with 1333 type patent locks
- Cable entry: there are gland plates in the top and bottom, its dimensions depend on the width of the enclosure
- Grounding: threaded grounding studs in the door and enclosure body

The following table presents enclosures according to the description.

No.	Description – Dimensions (W × H × D mm)	Catalogue No.
1	ZELP – Meter board version – 300 × 2500 × 300	250-001
2	ZELP – Meter board version – 500 × 2500 × 300	250-002
3	ZELP – Service duct version – 250 × 2500 × 300	250-003
4	ZELP – Integrated version – 550 × 2500 × 300	250-004
5	ZELP – Integrated version – 750 × 2500 × 300	250-005

### Scope of delivery:

Assembled enclosure with a lock and key.



## Outdoor double-wall access system enclosure **DSZ IP 55**

DSZ – is a standing enclosure, representing the optimal solution for external access systems. Thanks to the large functionality of the interior design and the double aluminum outer shell, it is applicable not only in telecommunications, but also wherever high protection of external installations is required.

Each enclosure is made upon individual request.

Type	Corrosivity category	Material	Coating
DSZ	C3*	aluminum sheet	RAL7035

### General information:

- Ingress protection according to IP code: 55
- Impact resistance according to IK code: 10
- Operating temperature range: -30 – +80 °C

### Basic data:

- Body: bolted aluminum profile system
- Side panels: screwed into the body; double-walled aluminum sheet
- Roof: screwed into the body; double-walled aluminum sheet
- Plinth: 2 mm thick galvanized steel sheet
- Closure: hinged door with 105° opening angle; the possibility of independent change of the door opening direction; lock in the form of a handle with the possibility of mounting a latch insert with a key
- Cable entry: there is a gland plate in the bottom, its dimensions depend on the width of the enclosure
- Grounding: threaded grounding studs in the door and enclosure body



[Download product data sheet!](#)

Description	Page
Locks	91
Cable entry	119–121
Ventilation	81, 139
Heaters	82–83
Air conditioners	85–89

### Additional options:

- Increasing the operating temperature to range of -50 to +120 °C
- *Painting to any color according to the RAL palette*

**Main qualities of DSZ:**

- **resistance** – aluminium external surface is polyester powder coated which provides resistance to adverse weather conditions, ie. UV radiation, snow and rain.

- **protection** – external coating of the double-wall affects the increasing of vandalism resistance. DSZ is designed to the outdoor use and is protected against unauthorized access.

- **functionality** – cabinet construction is based on a self-supporting frame made of aluminum profile system. The profiles contain operating grooves (with the tensile strength of 12 000 N) in which nuts are mounted. The profile system allows for expansion of the cabinet in an existing form, in particular, allows for the expansion of the inner chamber:
  - by creating additional independent chambers, for example for accumulator battery, electronics, MDF/DDF, power connectors, metering systems,
  - by installing telecommunication systems and other internal installation systems. Frame system also allows to increase the loading of the enclosure while reducing its weight.

- **stability** – of temperature through the so-called chimney effect which reduces the influence of sunlight and prevents condensation from being formed.

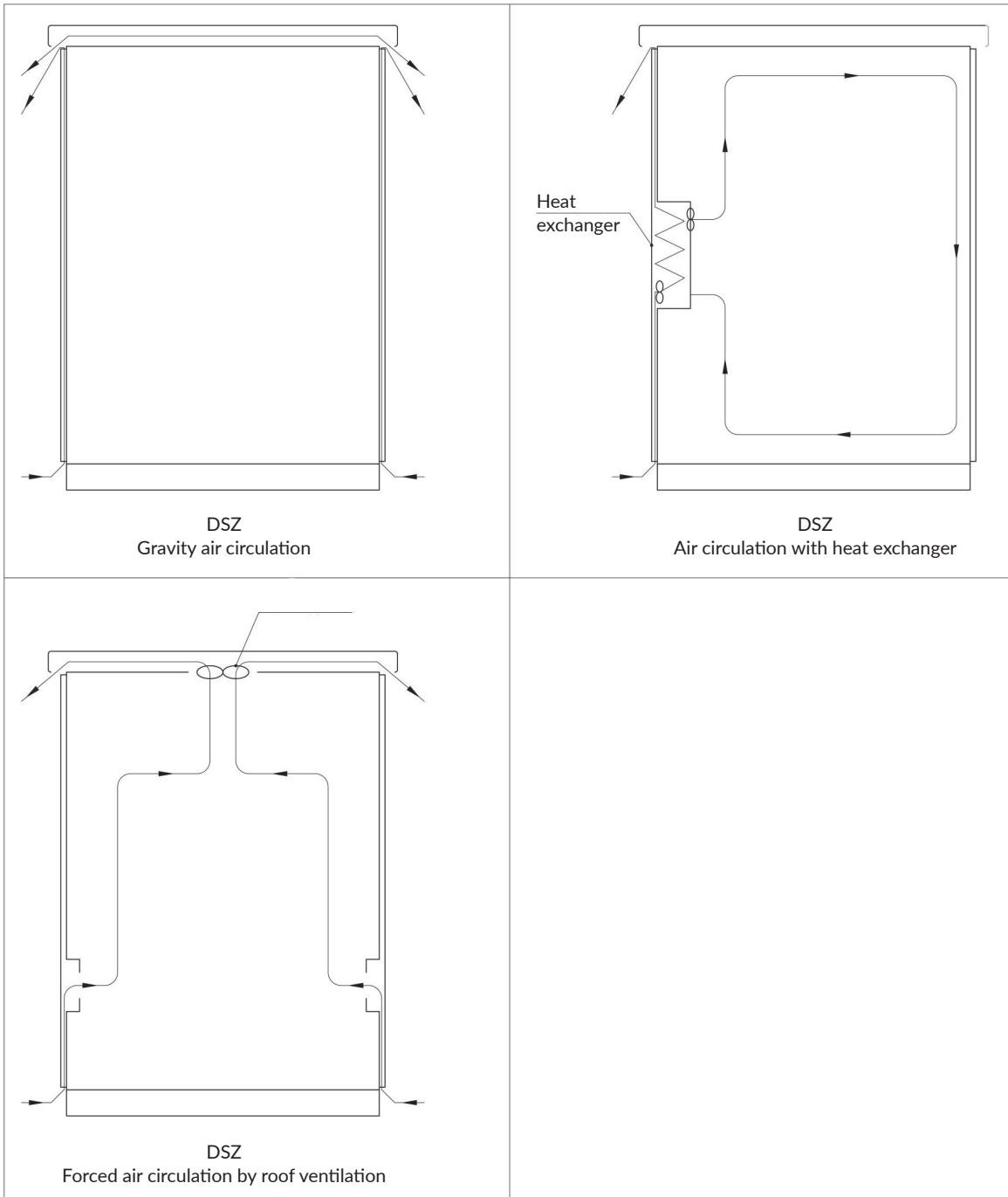
Depending on the installation location and the expected temperatures it is possible to use:

- the insulating material between the walls which results in large energy savings,
- a system of heaters combined with ventilation panels controlled by thermostats,
- a system of fans and exhaust filters mounted in the door or the side walls,
- a system of ventilation or air conditioning panels controlled by thermostats.



**DSZ**  
IP 55

In order to increase the air flow in the DSZ enclosure, roof or wall-mounted ventilation systems should be used. The most common solution is to use a roof ventilation panel which drains warm air from the inside of the cabinet thanks to the double-wall structure and drains it outside of the cabinet. In need of providing a specific temperature inside of the cabinet when there are low temperatures outside, you can use heaters or fan heaters. For complete equipping of the enclosure an air conditioner can be used. It will provide the desired temperature at high heat losses of the apparatus mounted inside and with sun heating the enclosure from the outside. All components are controlled by thermostats and hygrometers.





## Standard IT enclosure STL IP 20

STL – is a standing enclosure, used for assembly of network systems in 19-inch spacing. Applies to the separation of larger IT networks. The enclosure thanks to technological openings can be freely combined in series.



Download product data sheet!

Type	Corrosivity category	Material / additional description	Coating
STL	C2	steel sheet / steel or transparent door	RAL7035
STL-SE	C2	steel sheet / perforated door	RAL9005

### General information:

- Ingress protection according to IP code: 20
- Impact resistance according to IK code: 10
- Operating temperature range: 0 – +80°C

### Basic data:

- Closure: steel, transparent or perforated - hinged door with 105° opening angle; the possibility of independent change of the door opening direction; STL enclosures are equipped with two 1333 type patent locks; STL-SE with lock in the form of a handle with the possibility of mounting a latch insert with a key
- 19-inch rack: double; made of 2 mm thick galvanized steel sheet
- Cable entry: there are gland plates in the top and bottom, its dimensions depend on the width of the enclosure
- Grounding: threaded grounding studs in the door and enclosure body

Description	Page
Locks	90
Shelves	112–113
Vertical beams	102
Additional elements	113–114
Plinths	117
Blank covers and roofs	126–128
Ventilation	138–139
Air conditioners	85–89

### Additional options:

- Unusual dimensions
- Painting to any color according to the RAL palette

The technical documentation is available on pages 170–173

The following table presents enclosures according to the description.

No.	Dimensions (W × H × D mm – Rack Unit height)	Catalogue No. transparent door	Catalogue No. steel door
1	800 × 2220 × 1000 – 47U	430-001	431-001
2	800 × 2220 × 800 – 47U	430-002	431-002
3	800 × 2220 × 600 – 47U	430-003	431-003
4	600 × 2220 × 1000 – 47U	430-004	431-004
5	600 × 2220 × 800 – 47U	430-005	431-005
6	600 × 2220 × 600 – 47U	430-006	431-006
7	800 × 2135 × 1000 – 45U	430-007	431-007
8	800 × 2135 × 800 – 45U	430-008	431-008
9	800 × 2135 × 600 – 45U	430-009	431-009
10	600 × 2135 × 1000 – 45U	430-010	431-010
11	600 × 2135 × 800 – 45U	430-011	431-011
12	600 × 2135 × 600 – 45U	430-012	431-012
13	800 × 2000 × 1000 – 42U	430-013	431-013
14	800 × 2000 × 800 – 42U	430-014	431-014
15	800 × 2000 × 600 – 42U	430-015	431-015
16	600 × 2000 × 1000 – 42U	430-016	431-016
17	600 × 2000 × 800 – 42U	430-017	431-017
18	600 × 2000 × 600 – 42U	430-018	431-018
19	800 × 1865 × 800 – 39U	430-019	431-019
20	800 × 1865 × 600 – 39U	430-020	431-020
21	600 × 1865 × 800 – 39U	430-021	431-021
22	600 × 1865 × 600 – 39U	430-022	431-022
23	800 × 1735 × 800 – 36U	430-023	431-023
24	800 × 1735 × 600 – 36U	430-024	431-024
25	600 × 1735 × 800 – 36U	430-025	431-025
26	600 × 1735 × 600 – 36U	430-026	431-026
27	800 × 1600 × 800 – 33U	430-027	431-027
28	800 × 1600 × 600 – 33U	430-028	431-028
29	600 × 1600 × 800 – 33U	430-029	431-029
30	600 × 1600 × 600 – 33U	430-030	431-030
31	800 × 1465 × 800 – 30U	430-031	431-031
32	800 × 1465 × 600 – 30U	430-032	431-032
33	600 × 1465 × 800 – 30U	430-033	431-033
34	600 × 1465 × 600 – 30U	430-034	431-034
35	800 × 1335 × 800 – 27U	430-035	431-035
36	800 × 1335 × 600 – 27U	430-036	431-036
37	600 × 1335 × 800 – 27U	430-037	431-037
38	600 × 1335 × 600 – 27U	430-038	431-038
39	800 × 1200 × 800 – 24U	430-039	431-039
40	800 × 1200 × 600 – 24U	430-040	431-040
41	600 × 1200 × 800 – 24U	430-041	431-041
42	600 × 1200 × 600 – 24U	430-042	431-042
43	800 × 935 × 800 – 18U	430-043	431-043
44	800 × 935 × 600 – 18U	430-044	431-044
45	600 × 935 × 800 – 18U	430-045	431-045
46	600 × 935 × 600 – 18U	430-046	431-046
47	800 × 800 × 800 – 15U	430-047	431-047
48	800 × 800 × 600 – 15U	430-048	431-048
49	600 × 800 × 800 – 15U	430-049	431-049
50	600 × 800 × 600 – 15U	430-050	431-050



**STL**  
IP 20

#### Scope of delivery:

Assembled enclosure. Contains: four 19" carrying beams; steel or transparent door equipped with 1333 patent locks; full top and bottom blank covers; two side covers; rear door shortened with 3U brush opening; four levelling feet (mounted to the enclosure); grounding strip.

The following table presents enclosures according to the description.

No.	Dimensions (W × H × D mm – Rack Unit height)	Catalogue No. front door	Catalogue No. front and back door
1	800 × 2220 × 1200 – 47U	441-001	442-001
2	800 × 2220 × 1000 – 47U	441-002	442-002
3	600 × 2220 × 1200 – 47U	441-003	442-003
4	600 × 2220 × 1000 – 47U	441-004	442-004
5	800 × 2135 × 1200 – 45U	441-005	442-005
6	800 × 2135 × 1000 – 45U	441-006	442-006
7	600 × 2135 × 1200 – 45U	441-007	442-007
8	600 × 2135 × 1000 – 45U	441-008	442-008
9	800 × 2000 × 1200 – 42U	441-009	442-009
10	800 × 2000 × 1000 – 42U	441-010	442-010
11	600 × 2000 × 1200 – 42U	441-011	442-011
12	600 × 2000 × 1000 – 42U	441-012	442-012
13	800 × 1865 × 1200 – 39U	441-013	442-013
14	800 × 1865 × 1000 – 39U	441-014	442-014
15	600 × 1865 × 1200 – 39U	441-015	442-015
16	600 × 1865 × 1000 – 39U	441-016	442-016
17	800 × 1735 × 1200 – 36U	441-017	442-017
18	800 × 1735 × 1000 – 36U	441-018	442-018
19	600 × 1735 × 1200 – 36U	441-019	442-019
20	600 × 1735 × 1000 – 36U	441-020	442-020



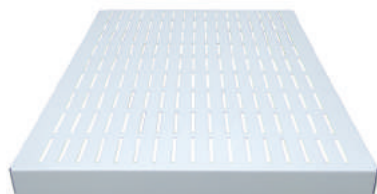
**STL**  
IP 20



Air conditioners pp. 85-89



Ventilation pp. 138-139



Shelves pp. 112-113



Levelling feet p. s. 128



Swivel casters p. 129

**Scope of delivery:**

Assembled enclosure. Contains: four 19" carrying beams; front and/or rear perforated door equipped with lock in the form of a handle with the possibility of mounting a latch insert with a key; full top and bottom blank covers; two side covers; in case of front door version the rear door is shortened with 3U brush opening; four levelling feet (mounted to the enclosure); grounding strip.





## Double section 19-inch enclosure NRS-2 IP 55

NRS-2 – is a double section wall-mounted enclosure, used for assembly of network systems in 19-inch spacing.

Type	Corrosivity category	Material	Coating
NRS-2	C2	steel sheet	RAL7035



[Download product data sheet!](#)

### General information:

- Ingress protection according to IP code: 55
- Impact resistance according to IK code: 10
- Operating temperature range: 0 – +80°C

### Basic data:

- Body: monobloc type, welded; double section
- Closure: hinged door with 105° opening angle; the possibility of independent change of the door opening direction; enclosures up to 500 mm height have one 1333 patent lock whereas higher enclosures have two locks of the same type; section closure is on the side wall in the form of two locks of the same type
- 19-inch rack: single; perforated, made of 2 mm thick galvanized steel sheet
- Cable entry: there are gland plates in the top and bottom
- Grounding: threaded grounding studs in the door and enclosure body
- Other information: The door has an internal stiffening made of perforated z-bars to facilitate mounting of additional elements.

Description	Page
Locks	90
Shelves	112-113
Vertical beams	102
Additional elements	113-114
Ventilation	138
Air conditioners	85-89

The following table presents enclosures according to the description.

No.	Dimensions (W × H × D / front chamber depth (mm) – Rack Unit height)	Catalogue No. transparent door	Catalogue No. steel door
1	600 × 320 × 500 / 350 – 6U	409-001	410-001
2	600 × 500 × 500 / 350 – 10U	409-002	410-002
3	600 × 600 × 500 / 350 – 12U	409-003	410-003
4	600 × 720 × 500 / 350 – 15U	409-004	410-004
5	600 × 850 × 500 / 350 – 18U	409-005	410-005

### Scope of delivery:

Assembled enclosure with a key.



## Recessed 19-inch enclosure **NSK IP 20**

NSK – is a recessed wall-mounted enclosure, used for assembly of small network systems in 19-inch spacing.



[Download product data sheet!](#)

Type	Corrosivity category	Material	Coating
NSK	C2	steel sheet	RAL7035

#### General information:

- Ingress protection according to IP code: 20
- Impact resistance according to IK code: 10
- Operating temperature range: 0 – +80 °C

#### Basic data:

- Body: monobloc type, welded
- Closure: hinged door with 105° opening angle; the possibility of independent change of the door opening direction; with one 1333 patent lock
- 19-inch rack: single; perforated, made of 2 mm thick galvanized steel sheet
- Cable entry: there are gland plates in the top and bottom
- Grounding: threaded grounding studs in the door and enclosure body

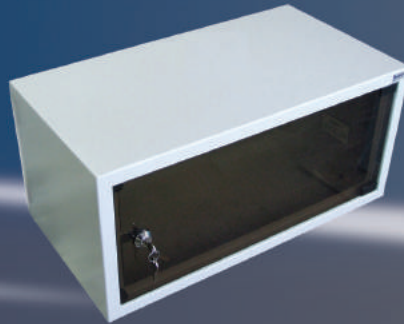
Description	Page
Locks	90
Shelves	112–113
Additional elements	113–114

The following table presents enclosures according to the description.

No.	Dimensions (W × H × D mm – Rack Unit height)	Catalogue No. transparent door	Catalogue No. steel door
1	550 × 230 × 300 – 4U	400-001	401-001
2	550 × 320 × 300 – 6U	400-002	401-002
3	550 × 500 × 300 – 10U	400-003	401-003

#### Scope of delivery:

Assembled enclosure with a key.



## Small 19-inch enclosure NK-1 IP 20

NK-1 – is a wall-mounted or standing enclosure, used for assembly of small network systems in 19-inch spacing.

Type	Corrosivity category	Material	Coating
NK-1	C2	steel sheet	RAL7035

### General information:

- Ingress protection according to IP code: 20
- Impact resistance according to IK code: 10
- Operating temperature range: 0 – +80°C

### Basic data:

- Body: monobloc type, welded
- Closure: hinged door with 105° opening angle; the possibility of independent change of the door opening direction; enclosures up to 500 mm height have one 1333 patent lock whereas higher enclosures have two locks of the same type
- 19-inch rack: single; perforated, made of 2 mm thick galvanized steel sheet, adjustable on the entire depth of the enclosure.

The following table presents enclosures according to the description.

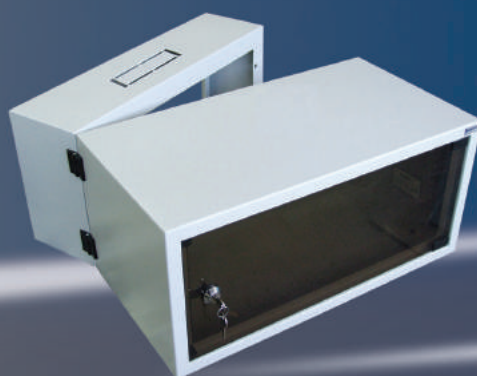
No.	Dimensions (W × H × D mm – Rack Unit height)	Catalogue No. transparent door	Catalogue No. steel door
1	600 × 320 × 400 – 6U	405-001	406-001
2	600 × 500 × 400 – 10U	405-002	406-002
3	600 × 600 × 400 – 12U	405-003	406-003
4	600 × 720 × 400 – 15U	405-004	406-004
5	600 × 850 × 400 – 18U	405-005	406-005
6	600 × 320 × 500 – 6U	405-006	406-006
7	600 × 500 × 500 – 10U	405-007	406-007
8	600 × 600 × 500 – 12U	405-008	406-008
9	600 × 720 × 500 – 15U	405-009	406-009
10	600 × 850 × 500 – 18U	405-010	406-010
11	600 × 320 × 600 – 6U	405-011	406-011
12	600 × 500 × 600 – 10U	405-012	406-012
13	600 × 600 × 600 – 12U	405-013	406-013
14	600 × 720 × 600 – 15U	405-014	406-014
15	600 × 850 × 600 – 18U	405-015	406-015



[Download product data sheet!](#)

Description	Page
Locks	90
Shelves	112–113
Vertical beams	102
Additional elements	113–114
Ventilation	138
Air conditioners	85–89

Scope of delivery:  
Assembled enclosure with a key.



## Small double section 19-inch enclosure **NK-2 IP 20**

NK-2 – is a double section wall-mounted enclosure, used for assembly of small network systems in 19-inch spacing.



[Download product data sheet!](#)

Type	Corrosivity category	Material	Coating
NK-2	C2	steel sheet	RAL7035

### General information:

- Ingress protection according to IP code: 20
- Impact resistance according to IK code: 10
- Operating temperature range: 0 – +80°C

### Basic data:

- Body: monobloc type, welded
- Closure: hinged door with 105° opening angle; the possibility of independent change of the door opening direction; enclosures up to 500 mm height have one 1333 patent lock whereas higher enclosures have two locks of the same type
- 19-inch rack: single; perforated, made of 2 mm thick galvanized steel sheet.

The following table presents enclosures according to the description.

No.	Dimensions (W × H × D mm – Rack Unit height)	Catalogue No. transparent door	Catalogue No. steel door
1	600 × 320 × 500/350 – 6U	407-001	408-001
2	600 × 500 × 500/350 – 10U	407-002	408-002
3	600 × 600 × 500/350 – 12U	407-003	408-003
4	600 × 720 × 500/350 – 15U	407-004	408-004
5	600 × 850 × 500/350 – 18U	407-005	408-005

Description	Page
Locks	90
Shelves	112–113
Vertical beams	102
Additional elements	113–114
Ventilation	138
Air conditioners	85–89

### Scope of delivery:

Assembled enclosure with a key.



## Small 19-inch enclosure with removable covers **NU IP 20**

NU – is a wall-mounted or standing enclosure with removable covers, used for assembly of small network systems in 19-inch spacing.

Type	Corrosivity category	Material	Coating
NU	C2	steel sheet	RAL7035

### General information:

- Ingress protection according to IP code: 20
- Impact resistance according to IK code: 10
- Operating temperature range: 0 – +80°C

### Basic data:

- Body: monobloc type, welded; with removable covers
- Closure: hinged door with 105° opening angle; the possibility of independent change of the door opening direction; enclosures up to 500 mm height have one 1333 patent lock whereas higher enclosures have two locks of the same type.

The following table presents enclosures according to the description.

No.	Dimensions (W × H × D mm – Rack Unit height)	Catalogue No. transparent door	Catalogue No. steel door
1	600 × 240 × 400 – 4U	413-001	414-001
2	600 × 320 × 400 – 6U	413-002	414-002
3	600 × 500 × 400 – 10U	413-003	414-003
4	600 × 600 × 400 – 12U	413-004	414-004
5	600 × 720 × 400 – 15U	413-005	414-005
6	600 × 850 × 400 – 18U	413-006	414-006
7	600 × 240 × 500 – 4U	413-007	414-007
8	600 × 320 × 500 – 6U	413-008	414-008
9	600 × 500 × 500 – 10U	413-009	414-009
10	600 × 600 × 500 – 12U	413-010	414-010
11	600 × 720 × 500 – 15U	413-011	414-011
12	600 × 850 × 500 – 18U	413-012	414-012
13	600 × 240 × 600 – 4U	413-013	414-013
14	600 × 320 × 600 – 6U	413-014	414-014
15	600 × 500 × 600 – 10U	413-015	414-015
16	600 × 600 × 600 – 12U	413-016	414-016
17	600 × 720 × 600 – 15U	413-017	414-017
18	600 × 850 × 600 – 18U	413-018	414-018



Download product data sheet!

Description	Page
Locks	90
Shelves	112-113
Vertical beams	102
Additional elements	113-114
Ventilation	138
Air conditioners	85-89

Scope of delivery:  
Assembled enclosure with a key.



SP – Basic Rack

## SP

It applies to the installation of 19-inch IT equipment that do not require protection in the form of enclosure. Intended for operation inside heated rooms.

No.	Dimensions (W × H × D mm – Rack Unit height)	Catalogue No.
1	530 × 1207 × 380 – 24U	460-001
2	530 × 1570 × 380 – 32U	460-002
3	530 × 1740 × 380 – 36U	460-003
4	530 × 2007 × 380 – 42U	460-004
5	530 × 2140 × 380 – 45U	460-005

### Scope of delivery:

Assembled rack.



SR – Adjustable double rack

No.	Dimensions (W × H × D mm – Rack Unit height)	Catalogue No.
1	530 × 1215 × 550 – 24U	462-001
2	530 × 1570 × 550 – 32U	462-002
3	530 × 1748 × 550 – 36U	462-003
4	530 × 2015 × 550 – 42U	462-004
5	530 × 2148 × 550 – 45U	462-005

### Scope of delivery:

Assembled rack.



WN – Wall-mounted bracket

## WN

It applies to the installation of 19-inch IT equipment that do not require protection in the form of enclosure. Intended for operation inside heated rooms.

No.	Dimensions (W × H × D mm – Rack Unit height)	Catalogue No.
1	493 × 45 × 120 – 1U	464-001
2	493 × 90 × 120 – 2U	464-002
3	493 × 135 × 130 – 3U	464-003
4	493 × 180 × 130 – 4U	464-004
5	493 × 225 × 120 – 5U	464-005

### Scope of delivery:

Wall-mounted bracket – 1 piece.

## SERVICE SYSTEMS OF ENCLOSURES

Regulation and supervision (thermostats, hygrometers)

Ventilation

Semiconductor heaters

Fan heaters

Lighting

Air Conditioners

## LOCKING SYSTEMS

Locks and accessories

Hinges

Door restrictors

## INTERNAL MOUNTING SYSTEMS

Mounting plates

Vertical beams

Modular constructions

Internal doors

Grounding

IT Accessories

## EXTERNAL MOUNTING SYSTEMS

Plinths

Cable organization

Covers for RR

Blank covers and roofs

Reinforced concrete foundations

## MOUNTING SYSTEMS

Wall brackets

Mast Holders

Brackets and extension arms

System racks

Mounting accessories for RWX

Support accessories for cable enclosures

Fasteners and others



# ACCESSORIES



Mechanical or electronic thermostats are used for control in heating systems (NC contact) or ventilation (NO contact). Our offer includes adjustable thermostats (eg 0 to + 60°C) or pre-set thermostats (eg 5/15°C - switching on the heater at 5°C, switching off when heated to 15°C).

Hygrostats are used in enclosure heating systems to avoid condensation. Above the humidity threshold the heater is switched on, heating the air within the enclosure preventing this phenomenon.

[Download product data sheet!](#)

No.	Description	Catalogue No.
1	Thermostat for heating KTO 011 1NC type, 0 to +60°C	5.01140.0-00
2	Thermostat for heating KTO 011 1NC type, -10 to +50°C	5.01142.0-00
3	Thermostat for heating KTO 011 1NC type, -15 to +45°C	5.01157.0-00
4	Thermostat for heating KTO 011 1NC type, +20 to +80°C	5.01159.0-00
5	Thermostat for cooling KTS 011 1NO type, 0 to +60°C	5.01141.0-00
6	Thermostat for cooling KTS 011 1NO type, -10 to +50°C	5.01143.0-00
7	Thermostat for cooling KTS 011 1NO type, -15 to +45°C	5.01156.0-00
8	Thermostat for cooling KTS 011 1NO type, +20 to +80°C	5.01158.0-00
9	Thermostat for heating STO 011 1NC type, 0 to +60 C	5.01115.0-00
10	Thermostat for cooling STS 011 1NO type, 0 to +60°C	5.01116.0-00
11	Tamper-proof Thermostat (Pre-set) FTO 011 1NC Series, 5/15°C	5.01160.0-00
12	Tamper-proof Thermostat (Pre-set) FTO 011 1NC Series, 15/25°C	5.01160.0-01
13	Tamper-proof Thermostat (Pre-set) FTS 011 1NO Series, 40/50°C	5.01161.0-00
14	Tamper-proof Thermostat (Pre-set) FTS 011 1NO Series, 50/60°C	5.01161.0-01
15	Tamper-proof Thermostat (Pre-set) FTS 011 1NO Series, 25/35°C	5.01161.0-02
16	Dual Thermostat for Heating and Cooling ZR 011 1NC+1NO type, 0 do +60°C	5.01172.0-00
17	Dual Thermostat for Heating and Cooling ZR 011 1NC type -10 do +50°C, 1NO -10 to +50°C	5.01173.0-00
18	Dual Thermostat for Heating and Cooling ZR 011 1NC type +20 do +80°C, 1NO +20 to +80°C	5.01174.0-00
19	Dual Thermostat for Heating and Cooling ZR 011 1NC type -10 do +50°C, 1NO +20 to +80°C	5.01175.0-00
20	Dual Thermostat for Heating or Cooling and/or Signaling ZR 011 2NO type 0 to +60°C	5.01176.0-00
21	Tamper-proof Dual Thermostat (Pre-set) FTD 011 Series, 1NC 5/15°C, 1NO 40/50°C	5.01163.0-00
22	Tamper-proof Dual Thermostat (Pre-set) FTD 011 Series, 1NC 15/25°C, 1NO 50/60°C	5.01163.0-01
23	Tamper-proof Dual Thermostat (Pre-set) FTD 011 Series, 1NO 40/50°C, 1NO 50/60°C	5.01164.0-00
24	Mechanical Thermostat FZK 011 Series AC 230 V, 1NO/NC +5 to +60°C	5.01170.0-00
25	Mechanical Thermostat FZK 011 Series AC 230 V, 1NO/NC -20 to +30°C	5.01170.0-02
26	Electronic Thermostat ET 011 DC 24 V, 1NC/NO 0 to 60°C	5.01190.0-00
27	Hazardous area Thermostat REX 011 Series 1NC, 15°C	5.01180.0-00
28	THazardous area Thermostat EEX typ REX Series 011 1NC, 25°C	5.01181.0-00
29	Electronic Hygrotherm ETF 012 Series AC 230 V, 0 - +60°C, 50-90% RH	5.01230.0-00
30	Mechanical Hygrostat MFR 012 35-95% RH	5.01220.0-00
31	Electronic Hygrostat EFR 012 Series 012 AC 230 V, 40-90% RH	5.01245.0-00
32	Electronic Hygrostat EFR 012 Series, 65% RH fix	5.01246.0-00
33	PSwitch Module SM 010 Series DC 48 V, 16A	5.01000.0-00
34	Switch Module SM 010 Series DC 24 V, 16A	5.01001.0-00





Filter fans are used to provide an optimum climate in enclosures. The interior temperature of an enclosure can be reduced by channeling cooler filtered outside air into the enclosure thus expelling heated internal air. The resulting air flow prevents formation of localized heat pockets and protects the electronic components from overheating. The plastic used for the hood of this filter fan series is highly weather resistant, as well as impact and UV light resistant.



Download product data sheet!

No.	Description	Catalogue No.
1	Supply filter fan FPI 018 (with G3 filter mat), 19 m <sup>3</sup> /h, AC 230 V, 92 × 92 mm, IP 54	5.01870.0-30
2	Supply filter fan FPI 018 (with G3 filter mat), 52 m <sup>3</sup> /h, AC 230 V, 124 × 124 mm, IP 54	5.01871.0-30
3	Supply filter fan FPI 018 (with G3 filter mat), 170 m <sup>3</sup> /h, AC 230 V, 176 × 176 mm, IP 54	5.01872.0-30
4	Supply filter fan FPI 018 (with G3 filter mat), 305 m <sup>3</sup> /h, AC 230 V, 223 × 223 mm, IP 54	5.01873.0-30
5	Supply filter fan FPI 018 (with G3 filter mat), 433 m <sup>3</sup> /h, AC 230 V, 291 × 291 mm, IP 54	5.01874.0-30
6	Exit filter FPI 118 (with air-flap outlet technology), 92 × 92 mm, IP 54	5.11870.0-00
7	Exit filter FPI 118 (with air-flap outlet technology), 124 × 124 mm, IP 54	5.11871.0-00
8	Exit filter FPI 118 (with air-flap outlet technology), 176 × 176 mm, IP 54	5.11872.0-00
9	Exit filter FPI 118 (with air-flap outlet technology), 223 × 223 mm, IP 54	5.11873.0-00
10	Exit filter FPI 118 (with air-flap outlet technology), 291 × 291 mm, IP 54	5.11874.0-00
11	Exhaust filter fan FPO 018 (with air-flaps), 24 m <sup>3</sup> /h, AC 230 V, 92 × 92 mm, IP 54	5.01880.0-00
12	Exhaust filter fan FPO 018 (with air-flaps), 97 m <sup>3</sup> /h, AC 230 V, 124 × 124 mm, IP 54	5.01881.0-00
13	Exhaust filter fan FPO 018 (with air-flaps), 263 m <sup>3</sup> /h, AC 230 V, 176 × 176 mm, IP 54	5.01882.0-00
14	Exhaust filter fan FPO 018 (with air-flaps), 536 m <sup>3</sup> /h, AC 230 V, 223 × 223 mm, IP 54	5.01883.0-00
15	Exhaust filter fan FPO 018 (with air-flaps), 727 m <sup>3</sup> /h, AC 230 V, 291 × 291 mm, IP 54	5.01884.0-00
16	Exit filter FPO 118 (with G3 filter mat), 92 × 92 mm, IP 54	5.11880.0-30
17	Exit filter FPO 118 (with G3 filter mat), 124 × 124 mm, IP 54	5.11881.0-30
18	Exit filter FPO 118 (with G3 filter mat), 176 × 176 mm, IP 54	5.11882.0-30
19	Exit filter FPO 118 (with G3 filter mat), 223 × 223 mm, IP 54	5.11883.0-30
20	Exit filter FPO 118 (with G3 filter mat), 291 × 291 mm, IP 54	5.11884.0-30
21	Filter Fan FF 018 AC 230 V, 21 m <sup>3</sup> /h; 97 × 97 mm, IP 54	5.01800.0-00
22	Filter Fan FF 018 AC 230 V, 55 m <sup>3</sup> /h; 125 × 125 mm, IP 54	5.01801.0-00
23	Filter Fan FF 018 AC 230 V, 102 m <sup>3</sup> /h; 176 × 176 mm, IP 54	5.01802.0-00
24	Filter Fan FF 018 AC 230 V, 200 m <sup>3</sup> /h; 176 × 176 mm, IP 54	5.01804.0-00
25	Filter Fan FF 018 AC 230 V, 300 m <sup>3</sup> /h; 250 × 250 mm, IP 54	5.01803.0-00
26	Filter Fan FF 018 AC 230 V, 550 m <sup>3</sup> /h; 250 × 250 mm, IP 54	5.01805.0-00
27	Exit filter EF 118, 21 m <sup>3</sup> /h; 97 × 97 mm, IP 54	5.11800.0-00
28	Exit filter EF 118, 55 m <sup>3</sup> /h; 125×125mm, IP 54	5.11801.0-00
29	Exit filter EF 118, 102 m <sup>3</sup> /h i 200 m <sup>3</sup> /h; 176 × 176mm, IP 54	5.11802.0-00
30	Exit filter EF 118, 300 m <sup>3</sup> /h i 550 m <sup>3</sup> /h; 250 × 250mm, IP 54	5.11803.0-00
31	Pressure compensation device DA 284; plastic; PU = 2 pcs, IP 66	5.28400.0-00
32	Pressure compensation device DA 284; plastic; PU = 1 pc, IP 66	5.28400.0-01
33	Pressure compensation device DA 284; V2A stainless steel, IP 66	5.28401.0-00
34	Pressure compensation device DA 284; plastic; PU = 2 pcs, IP 55	5.08400.0-04

Scope of delivery:  
1 piece with instruction manual.



Download product data sheet!

Due to fluctuating temperatures condensation can form in enclosures. This can lead to serious malfunctions or in the worst case to a component failure. Convection heaters protect against low temperatures, thus preventing the formation of condensation.

- **HGK 047** – from 10 to 30 W, compact size, power efficient and safe in exploitation;
- **CSK 060** – 10 and 20 W, enclosed, protected against direct contact;
- **HG 140** – from 15 to 150 W, compact size, popular construction;
- **CS (F) 060** – from 50 to 150 W, enclosed - protected against direct touch, some models have built-in thermostat;
- **RC** – from 8 to 13 W, compact size, power efficient and safe in exploitation;
- **CREX** – 50 and 100 W, heater designed to work in hazardous areas.

No.	Description	Catalogue No.
1	HGK 047 AC/DC 120–240 V, 10 W	5.04700.0-00
2	HGK 047 AC/DC 120–240 V, 20 W	5.04701.0-00
3	HGK 047 AC/DC 120–240 V, 30 W	5.04702.0-00
4	CSK 060 AC/DC 120–240 V, 10 W, double insulated	5.06040.0-00
5	CSK 060 AC/DC 120–240 V, 20 W, double insulated	5.06030.0-00
6	HG 140 AC/DC 120–240 V, 15 W	5.14000.0-00
7	HG 140 AC/DC 120–240 V, 30 W	5.14001.0-00
8	HG 140 AC/DC 120–240 V, 45 W	5.14003.0-00
9	HG 140 AC/DC 120–240 V, 60 W	5.14005.0-00
10	HG 140 AC/DC 120–240 V, 75 W	5.14006.0-00
11	HG 140 AC/DC 120–240 V, 100 W	5.14007.0-00
12	HG 140 AC/DC 120–240 V, 150 W	5.14008.0-00
13	CS 060 AC/DC 120–240 V, 50 W, double insulated	5.06000.0-00
14	CS 060 AC/DC 120–240 V, 100 W, double insulated	5.06010.0-00
15	CS 060 AC/DC 120–240 V, 150 W, double insulated	5.06020.0-00
16	CSF 060 AC/DC 120–240 V, 50 W, 5/15°C	5.06001.0-00
17	CSF 060 AC/DC 120–240 V, 50 W, 15/25°C	5.06002.0-00
18	CSF 060 AC/DC 120–240 V, 100 W, 5/15°C	5.06011.0-00
19	CSF 060 AC/DC 120–240 V, 100 W, 15/25°C	5.06012.0-00
20	CSF 060 AC/DC 120–240 V, 150 W, 5/15°C	5.06021.0-00
21	CSF 060 AC/DC 120–240 V, 150 W, 15/25°C	5.06022.0-00
22	RC 016 AC/DC 120–240 V, 8 W	5.01602.0-00
23	RC 016 AC/DC 120–240 V, 10 W	5.01609.0-00
24	RC 016 AC/DC 120–240 V, 13 W	5.01610.0-00
25	CREX 020 AC 230–240 V, 50 W	5.02010.0-00
26	CREX 020 AC 230–240 V, 100 W	5.02011.0-00

Scope of delivery:  
1 piece with instruction manual.



Due to fluctuating temperatures condensation can form in enclosures. This can lead to serious malfunctions or in the worst case to a component failure. Fan heaters dedicated to bigger enclosures protect against low temperatures, thus preventing the formation of condensation. Furthermore provide forced air circulation and ensure constant temperatures in enclosures.

- **CS (L) 028** – 150, 250 and 400 W, compact and efficient fan heater with protection level of IP20;
- **HGL 046** – 250 and 400 W, popular construction with resistance type heater;
- **CR 027** – 475 and 550 W, highly efficient fan heater with integrated thermostat;
- **HVL 031** – from 100 to 400 W, flat compact build, small-sized;
- **CR 030 (130)** – 950 W, protection level of IP20, with thermostat or hygrostat;
- **CS 030 (130)** – 1200 W, protection level of IP20, with or without thermostat;
- **CS (F) 032** – 1000 W, small, compact fan heater, with or without regulated thermostat.



Download product data sheet!

No.	Description	Catalogue No.
1	CS 028 AC 230–240 V, 150 W	5.02800.0-00
2	CS 028 AC 230–240 V, 150 W, screw fixing	5.02800.0-01
3	CSL 028 AC 230–240 V, 250 W	5.02811.0-00
4	CSL 028 AC 230–240 V, 250 W, screw fixing	5.02811.0-01
5	CSL 028 AC 230–240 V, 400 W	5.02810.0-00
6	CSL 028 AC 230–240 V, 400 W, screw fixing	5.02810.0-01
7	HGL 046 AC 220–240 V, 250 W	5.04640.0-00
8	HGL 046 AC 220–240 V, 400 W	5.04641.0-00
9	HGL 046 DC 24 V, 250 W	5.04640.1-00
10	HGL 046 DC 48 V, 250 W	5.04640.2-00
11	HGL 046 DC 48 V, 400 W	5.04641.2-00
12	CR 027 AC 220–240 V, 475 W, 0/60°C	5.02700.0-00
13	CR 027 AC 220–240 V, 550 W, 0/60°C	5.02701.0-00
14	HVL 031 AC 230 V, 100 W	5.03102.0-00
15	HVL 031 AC 230 V, 150 W	5.03103.0-00
16	HVL 031 AC 230 V, 200 W	5.03113.0-00
17	HVL 031 AC 230 V, 300 W	5.03114.0-00
18	HVL 031 AC 230 V, 400 W	5.03115.0-00
19	CR 130 AC 230 V, 950 W, vertical mounting 0/60°C	5.13051.0-00
20	CR 130 AC 230 V, 950 W, vertical mounting, 65% RH	5.13051.0-02
21	CS 030 AC 230 V, 1200 W, horizontal mounting 0/60°C	5.03060.0-00
22	CS 030 AC 230 V, 1200 W, horizontal mounting	5.03060.0-01
23	CS 130 AC 230 V, 1200 W, vertical mounting 0/60°C	5.13060.0-00
24	CS 130 AC 230 V, 1200 W, vertical mounting	5.13060.0-01
25	CR 030 AC 230 V, 950 W, horizontal mounting 0/60°C	5.03051.0-00
26	CS 032 AC 220–240 V, 1000 W	5.03209.0-00
27	CS 032 AC 220–240 V, 1000 W, screw fixing	5.03209.0-01
28	CSF 032 AC 220–240 V, 1000 W, 15/25°C	5.03201.0-00
29	CSF 032 AC 220–240 V, 1000 W, 5/15°C	5.03202.0-00
30	CSF 032 AC 220–240 V, 1000 W, 15/25°C, screw fixing	5.03201.0-01
31	CSF 032 AC 220–240 V, 1000 W, 5/15°C, screw fixing	5.03202.0-01

Scope of delivery:  
1 piece with instruction manual.



Download product data sheet!

Lighting lamps are used in enclosures to allow servicing or maintenance works. Sometimes working in the enclosure which is placed in a poorly lit area is difficult due to insufficient external lighting. In addition, the already limited visibility is worsened by the shadow of the fitter or service technician. Under such conditions, the correct identification of terminal numbers, descriptions, and correct wiring is very difficult, sometimes impossible.

- LED 025 – LED lamp, with magnet or screw mounting, the power output allows up to 10 lights to be connected to each other (daisy chain) with both the input and output plugs snap-locking into place, compact and energy efficient;
- SL 025 – fluorescent lamp 11W, magnet or screw mounting, with or without outlet, also with DC voltage;
- KL 025 – fluorescent lamp 11W, magnet or TH rail mounting, with or without outlet.

No.	Description	Catalogue No.
1	Slimline Lamp SL 025, AC 230 V, 11 W, without socket	5.02527.0-00
2	Slimline Lamp SL 025, AC 230 V, 11 W, with F/PL/CZ/SK standard socket	5.02521.0-00
3	Slimline Lamp SL 025, AC 230V, 11W, without socket (with magnet fixing)	5.02527.1-14
4	Slimline Lamp SL 025, AC 230 V, 11 W, with F/PL/CZ/SK standard socket (with magnet fixing)	5.02521.1-04
5	Slimline Lamp SL 025 with movement sensor, AC 230 V, 11 W, without socket	5.02527.0-04
6	Slimline Lamp SL 025 with movement sensor, AC 230 V, 11 W, with F/PL/CZ/SK standard socket	5.02521.0-03
7	Slimline Lamp SL 025 with movement sensor, AC 230 V, 11 W, without socket (with magnet fixing)	5.02527.1-15
8	Slimline Lamp SL 025 with movement sensor, AC 230 V, 11 W, with F/PL/CZ/SK standard socket (with magnet fixing)	5.02521.1-05
9	LED Lamp 025, AC 100–240 V, with magnet fixing	5.02540.0-00
10	LED Lamp 025, AC 100–240 V, with screw fixing	5.02540.0-01
11	LED Lamp 025, DC 24–48 V, with magnet fixing	5.02540.1-00
12	LED Lamp 025, DC 24–48 V, with screw fixing	5.02540.1-01
13	LED Lamp 025 with movement sensor, AC 100–240 V, with magnet fixing	5.02541.0-00
14	LED Lamp 025 with movement sensor, AC 100–240 V, with screw fixing	5.02541.0-01
15	LED Lamp 025 with movement sensor, DC 24–48 V, with magnet fixing	5.02541.1-00
16	LED Lamp 025 with movement sensor, DC 24–48 V, with screw fixing	5.02541.1-01
17	Female connector for connecting AC power for the above LED lamps 025	5.264057
18	Male connector for transferring AC power in a cascade connection for the above LED lamps 025	5.264058
19	Ecoline LED Lamp 025, AC 100–240 V, with magnet fixing and on/off light switch	5.02540.0-10
20	Ecoline LED Lamp 025, AC 100–240 V, with screw fixing and on/off light switch	5.02540.0-11
21	Ecoline LED Lamp 025, AC 100–240 V, with clip fixing and on/off light switch	5.02540.0-13
22	Ecoline LED Lamp 025 with movement sensor, AC 100–240 V / 90–110 V DC, with magnet fixing	5.02541.3-10
23	Ecoline LED Lamp 025 with movement sensor, AC 100–240 V / 90–110 V DC, with screw fixing	5.02541.3-11
24	Ecoline LED Lamp 025 with movement sensor, AC 100–240 V / 90–110 V DC, with clip fixing	5.02541.3-13
25	Ecoline LED Lamp 025, AC 100–240 V, with magnet fixing, without on/off light switch	5.02542.3-10
26	Ecoline LED Lamp 025, AC 100–240 V, with screw fixing, without and on/off light switch	5.02542.3-11
27	Ecoline LED Lamp 025, AC 100–240 V, with clip fixing, without and on/off light switch	5.02542.3-13
28	Compact lamp KL 025, AC 230 V, 11 W, without socket	5.02500.0-07
29	Compact lamp KL 025, AC 230 V, 11 W, with F/PL/CZ/SK standard socket	5.02501.0-00
30	Lamp cover for compact lamp KL 025	5.09520.0-00



### The economical all-round solution

- IP protection according to IEC 60 529; External/Internal: IP24/54
- Operating temperature range: +20°C – +55°C

Reliability and user friendliness are the best ways to describe the electronic controller being used in the ComCompact air conditioners. The display indicates temperature and operating status and can be easily set and adjusted by the user via a Touch Pad.

A complete model range from 320 W up to 4 kW with simple operation were the key ideas during the development. We have also placed a strong emphasis in standardising components, versions and sizes thus diminishing the need of large spare part stocks, complex training or long unit selection processes.

All ComCompact units have powder coated, steel enclosures (RAL 7035). For applications where hygiene and corrosion protection are required, we offer a stainless steel cover for all ComCompact models. Units with a cooling capacity of 2 kW and above can be optionally supplied with an electric condensate evaporator.

For a universal use of our ComCompact units we also offer models for recessed mounting. The available recessed depth (A) varies from 30 to 120 mm. The part numbers xxxxxx81 have a standard depth of 90 mm. Please contact us for others models and part numbers.



[Download product data sheet!](#)

No.	Type – Cooling capacity L35L35 / L35L50 (DIN 3168)	Voltage / Frequency	Dimensions (W × H × D mm)	Catalogue No.
1	KG 4304 – 320 W / 200 W	230 V – 50/60 Hz	280 × 500 × 200	5.43040001
2	KG 4304 – 320 W / 240 W	120 V – 60 Hz	280 × 500 × 270	5.43041001
3	KG 4304 – 320 W / 240 W	400/460 V – 50/60 Hz 2~	280 × 500 × 270	5.43042001
4	KG 4305 – 550 W / 410 W	230 V – 50/60 Hz	315 × 650 × 260	5.43050001
5	KG 4305 – 550 W / 410 W	120 V – 60 Hz	315 × 650 × 260	5.43051001
6	KG 4305 – 550 W / 410 W	400/460 V – 50/60 Hz 2~	315 × 650 × 260	5.43052001
7	KG 4308 – 750 W / 470 W	230 V – 50/60 Hz	315 × 650 × 260	5.43080001
8	KG 4308 – 750 W / 480 W	120 V – 60 Hz	315 × 650 × 260	5.43081001
9	KG 4308 – 750 W / 480 W	400/460 V – 50/60 Hz 2~	315 × 650 × 260	5.43082001
10	KG 4309 – 850 W / 610 W	230 V – 50/60 Hz	315 × 650 × 260	5.43090001
11	KG 4309 – 850 W / 600 W	120 V – 60 Hz	315 × 650 × 260	5.43091001
12	KG 4309 – 850 W / 600 W	400/460 V – 50/60 Hz 2~	315 × 650 × 260	5.43092001
13	KG 4310 – 1 kW / 660 W	230 V – 50/60 Hz	315 × 650 × 260	5.43100001
14	KG 4310 – 1 kW / 660 W	120 V – 60 Hz	315 × 650 × 260	5.43101001
15	KG 4310 – 1 kW / 720 W	400/460 V – 50/60 Hz 2~	315 × 650 × 260	5.43102001
16	KG 4315 – 1,50 kW / 1,22 kW	230 V – 50/60 Hz	395 × 980 × 260	5.43150001
17	KG 4315 – 1,50 kW / 1,22 kW	120 V – 60 Hz	395 × 980 × 260	5.43151001
18	KG 4315 – 1,50 kW / 1,22 kW	400/460 V – 50/60 Hz 2~	395 × 980 × 260	5.43152001
19	KG 4320 – 2 kW / 1,6 kW	230 V – 50/60 Hz	395 × 980 × 260	5.43200001
20	KG 4320 – 2 kW / 1,6 kW	120 V – 60 Hz	395 × 980 × 260	5.43201001
21	KG 4320 – 2 kW / 1,63 kW	400/460 V – 50/60 Hz 3~	395 × 980 × 260	5.43202001
22	KG 4325 – 2,5 kW / 1,97 kW	230 V – 50/60 Hz	500 × 1230 × 340	5.43250001
23	KG 4325 – 2,5 kW / 1,97 kW	120 V – 60 Hz	500 × 1230 × 340	5.43251001
24	KG 4325 – 2,5 kW / 1,97 kW	400/460 V – 50/60 Hz 2~	500 × 1230 × 340	5.43252001
25	KG 4330 – 3 kW / 2,38 kW	230 V – 50/60 Hz	500 × 1230 × 340	5.43300001
26	KG 4330 – 3 kW / 2,42 kW	120 V – 50/60 Hz	500 × 1230 × 340	5.43301001
27	KG 4330 – 3 kW / 2,39 kW	400/460 V – 50/60 Hz 3~	500 × 1230 × 340	5.43302001
28	KG 4340 – 4 kW / 3,18 kW	230 V – 50/60 Hz	500 × 1230 × 340	5.43400001

Scope of delivery:  
Package contents 1 piece.

**The ultra-compact cooling units**

- IP protection according to IEC 60 529; External/Internal: IP66
- Operating temperature range: -20°C - +65°C



Download product data sheet!

The innovative Peltier thermoelectric technology provides an effective cooling solution virtually maintenance free. The SoliTherm Peltier air conditioners incorporate the technology within a sleek and modern design ranging from 50 to 250 W.

Thermoelectric elements create a temperature difference between the internal and ambient heat sinks, making internal air cooler while dissipating the heat out to the external environment. Fans help the transfer of convective heat from the heat sinks, which are optimised for maximum flow.

These air conditioners come in powder-coated sheet steel or stainless steel enclosures according to customer's requirements. They can be mounted in any position because these units do not have a compressor. Please note that the integrated condensation management may vary depending on the mounting situation

SoliTherm Peltier cooling units are resistant to extreme ambient conditions and can operate effectively even in environments which are dusty and oily and where temperatures may vary from -20°C to 65°C. They can be used both for indoor and outdoor applications.

Controllers and thermostats for Peltier units are available upon request.

No.	Type - Cooling capacity L35L35 / L35L50 (DIN 3168)	Voltage / Frequency	Dimensions (W × H × D mm)	Catalogue No.
1	TG 3050 - 50 W	24 V DC	154 × 206 × 135	5.3050303
2	TG 3050 - 50 W	24 V DC	158 × 302 × 137	5.3050305
3	TG 3102 - 100 W	24 V DC	200 × 304 × 138	5.3102303
4	TG 3102 - 100 W	24 V DC	302 × 306 × 140	5.3102305
5	TG 3152 - 150 W	24 V DC	180 × 400 × 171	5.3152303
6	TG 3152 - 175 W	48 V DC	180 × 400 × 171	5.3152308
7	TG 3200 - 200 W	24 V DC	180 × 400 × 171	5.3200303
8	TG 3200 - 250 W	48 V DC	180 × 400 × 171	5.3200308
9	TG 3152 - 150 W	24 V DC	188 × 500 × 174	5.3152305
10	TG 3152 - 175 W	48 V DC	188 × 500 × 174	5.3152310
11	TG 3200 - 200 W	24 V DC	188 × 500 × 174	5.3200305
12	TG 3200 - 250 W	48 V DC	188 × 500 × 174	5.3200310

Scope of delivery:  
Package contents 1 piece.



#### The efficient outdoor solution

- IP protection according to IEC 60 529; External / Internal: IP56
- Operating temperature range:  $-20^{\circ}\text{C}$  –  $+55^{\circ}\text{C}$

Outdoor conditions can be harsh on control cabinets, therefore our units are thoroughly designed to protect your cabinets against any ingress of foreign solid and/ or liquid material that could potentially damage the sensitive electronic components. The high fin separation nanocoated condenser requires almost no maintenance and service. Our wall mounted cooling units operate between  $-20^{\circ}\text{C}$  and  $55^{\circ}\text{C}$ . An optional heater kit is available to heat the internal cabinet temperature when necessary.

All SoliTherm Outdoor cooling units are equipped with our new electronic controller, which constantly monitors the pre-set cabinet temperature. Depending on the temperature and the power loss inside the cabinet, the cooling or heating circuits will be switched on and off accordingly.

Energy saving and extended component life are the positive effects. The SoliTherm Outdoor range offers cooling capacities from 550 W up to 4 kW and has as a standard protection rating towards the cabinet of IP56 (NEMA 12, 3, 3R, 4 and 4X). Full stainless steel versions even meet the NEMA 4X requirements. All units come with a cover in steel, powder coated (RAL 7035).

Optional stainless steel covers are available for improved corrosion protection.



Download product data sheet!

No.	Type – Cooling capacity L35L35 / L35L50 (DIN 3168)	Voltage / Frequency	Dimensions (W × H × D mm)	Catalogue No.
1	OC 5704 – 290 W / 250 W	230 V – 50/60 Hz	250 × 480 × 190	5.570400001
2	OC 4269 – 380 W / 120 W	230 V – 50/60 Hz	320 × 600 × 110	5.42690801
3	OC 5705 – 550 W / 410 W	230 V – 50/60 Hz	315 × 830 × 270	5.570500001
4	OC 5705 – 550 W / 410 W	120 V – 60 Hz	315 × 830 × 270	5.570510001
5	OC 5705 – 550 W / 410 W	400/460 V – 50/60 Hz 2~	315 × 830 × 270	5.570520001
6	OC 5708 – 750 W / 470 W	230 V – 50/60 Hz	315 × 830 × 270	5.570800001
7	OC 5708 – 750 W / 480 W	120 V – 60 Hz	315 × 830 × 270	5.570810001
8	OC 5708 – 750 W / 480 W	400/460 V – 50/60 Hz 2~	315 × 830 × 270	5.570820001
9	OC 5709 – 850 W / 610 W	230 V – 50/60 Hz	315 × 830 × 270	5.570900001
10	OC 5709 – 850 W / 600 W	120 V – 60 Hz	315 × 830 × 270	5.570910001
11	OC 5709 – 850 W / 600 W	400/460 V – 50/60 Hz 2~	315 × 830 × 270	5.570920001
12	OC 5710 – 1 kW / 660 W	230 V – 50/60 Hz	315 × 900 × 270	5.571000001
13	OC 5710 – 1 kW / 660 W	120 V – 60 Hz	315 × 900 × 270	5.571010001
14	OC 5710 – 1 kW / 720 W	400/460 V – 50/60 Hz 2~	315 × 900 × 270	5.571020001
15	OC 5715 – 1,5 kW / 1,22 kW	230 V – 50/60 Hz	395 × 1150 × 270	5.571500001
16	OC 5715 – 1,5 kW / 1,22 kW	120 V – 60 Hz	395 × 1150 × 270	5.571510001
17	OC 5715 – 1,5 kW / 1,22 kW	400/460 V – 50/60 Hz 2~	395 × 1150 × 270	5.571520001
18	OC 5720 – 2 kW / 1,6 kW	230 V – 50/60 Hz	395 × 1150 × 270	5.572000001
19	OC 5720 – 2 kW / 1,6 kW	120 V – 60 Hz	395 × 1150 × 270	5.572010001
20	OC 5720 – 2 kW / 1,63 kW	400/460 V – 50/60 Hz 3~	395 × 1150 × 270	5.572020001
21	OC 5726 – 2,5 kW / 1,97 kW	230 V – 50/60 Hz	457 × 1550 × 355	5.572600001
22	OC 5726 – 2,5 kW / 2 kW	120 V – 60 Hz	457 × 1550 × 355	5.572610001
23	OC 5726 – 2,5 kW / 2 kW	400/460 V – 50/60 Hz 3~	457 × 1550 × 355	5.572620001
24	OC 5731 – 3 kW / 2,4 kW	230 V – 50/60 Hz	457 × 1550 × 355	5.573100001
25	OC 5731 – 3 kW / 2,4 kW	120 V – 60 Hz	457 × 1550 × 355	5.573110001
26	OC 5731 – 3 kW / 2,4 kW	400/460 V – 50/60 Hz 3~	457 × 1550 × 355	5.573120001
27	OC 5741 – 4 kW / 3,3 kW	230 V – 50/60 Hz	457 × 1550 × 355	5.574100001
29	OC 5741 – 4 kW / 3,3 kW	400/460 V – 50/60 Hz 3~	457 × 1550 × 355	5.574120001
30	OC 4050-EX – 4,5 kW	400/460 V – 60 Hz 3~	900 × 1900 × 620	5.4050870

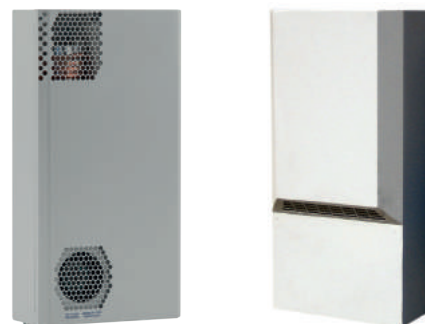
Scope of delivery:  
Package contents 1 piece.

Maximum power to size ratio – this characterises the SlimLine air conditioners. Compatibility with market standards ensures the customer an easy integration with his enclosure or cabinet systems. SlimLine air conditioners are designed to operate with absolutely minimum maintenance. They are eco-friendly and do not need dirt collecting filter mats.

The optimised wide-ribbed aluminium condenser provides improved cooling performance and ensures reliability in industrial operations. High quality components form the basis for the smooth running and long working life of the SlimLine air conditioners.



The units can be mounted outdoor (NEMA COVER KIT is necessary) or indoor and are only 110mm deep therefore currently the slimmest air conditioner on the market. With recessed mounting the units will only be 25mm out of the cabinet wall. As only small apertures need to be cut for mounting, the cabinet doors remain stable.



#### Filterless technology – more safety

- IP protection according to IEC 60 529; External/Internal: IP24/54
- Operating temperature range: +20°C – +55°C

[Download product data sheet!](#)

No.	Type – Cooling capacity L35L35 / L35L50 (DIN 3168)	Voltage / Frequency	Dimensions (W × H × D mm)	Catalogue No.
1	KG 4266 – 320 W / 140 W	230 V – 50/60 Hz	270 × 520 × 110	5.42660001
2	KG 4266 – 320 W / 140 W	120 V – 60 Hz	270 × 520 × 110	5.42661001
3	KG 4267 – 400 W / 195 W	230 V – 50/60 Hz	520 × 340 × 110	5.42670001
4	KG 4267 – 400 W / 195 W	120 V – 60 Hz	520 × 340 × 110	5.42671001
5	KG 4268 – 400 W / 155 W	230 V – 50/60 Hz	320 × 520 × 110	5.42680001
6	KG 4268 – 400 W / 155 W	120 V – 60 Hz	320 × 520 × 110	5.42681001
7	KG 4269 – 500 W / 160 W	230 V – 50/60 Hz	320 × 600 × 110	5.42690001
8	KG 4269 – 500 W / 160 W	120 V – 60 Hz	320 × 600 × 110	5.42691001
12	KG 4270 – 600 W / 300 W	230 V – 50/60 Hz	395 × 810 × 145	5.42700001
13	KG 4270 – 600 W / 300 W	120 V – 60 Hz	395 × 810 × 145	5.42701001
14	KG 4270 – 600 W / 300 W	400/460 V – 50/60 Hz 2~	395 × 810 × 145	5.42702001
15	KG 4271 – 820 W / 480 W	230 V – 50/60 Hz	395 × 980 × 145	5.42710001
16	KG 4271 – 820 W / 480 W	120 V – 60 Hz	395 × 980 × 145	5.42711001
17	KG 4271 – 820 W / 480 W	380–415 V 50 Hz 3~ 400–460 V 60 Hz 3~	395 × 980 × 145	5.42712001
18	KG 4272 – 1,1 kW / 710 W	230 V – 50/60 Hz	395 × 1250 × 145	5.42720001
19	KG 4272 – 1,1 kW / 710 W	120 V – 60 Hz	395 × 1250 × 145	5.42721001
20	KG 4272 – 1,1 kW / 710 W	380–415 V 50 Hz 3~ 400–460 V 60 Hz 3~	395 × 1250 × 145	5.42722001
21	KG 4274 – 1,5 k / 1,2 kW	230 V – 50/60 Hz	395 × 1550 × 145	5.42740001
22	KG 4274 – 1,5 k / 1,2 kW	120 V – 60 Hz	395 × 1550 × 145	5.42741001
23	KG 4274 – 1,5 k / 1,2 kW	380–415 V 50 Hz 3~ 400–460 V 60 Hz 3~	395 × 1550 × 145	5.42742001

No.	Fits type	Material	Dimensions (W × H × D mm)	Catalogue No.
1	KG 4266	AISI 304 (1.4301)	280 × 600 × 220	5.S/M5930017544
2	KG 4268	AISI 304 (1.4301)	342 × 650 × 220	5.S/M5930018050
3	KG 4269	AISI 304 (1.4301)	330 × 680 × 220	5.S/M5930017545
4	KG 4270	AISI 304 (1.4301)	420 × 1010 × 282	5.S/M5930019506
5	KG 4271	AISI 304 (1.4301)	420 × 1101 × 282	5.S/M5930018030
6	KG 4272	AISI 304 (1.4301)	420 × 1400 × 282	5.S/M5930019200
7	KG 4274	AISI 304 (1.4301)	420 × 1680 × 282	5.S/M5930016726

Scope of delivery:  
Package contents 1 piece.





**Mounted on or inside the enclosure**

- IP protection according to IEC 60 529; External/Internal: IP24/54
- Operating temperature range: +20°C – +55°C

Reliability and user-friendliness - these features best describe the electronic controller for air conditioners from the ComCompact series. The display shows temperature and operating mode, and the touch panel allows users to easily set and change parameters.

All ComCompact devices have powder coated steel enclosures (RAL 7035). For applications requiring protection for hygienic reasons and corrosion protection, we also offer stainless steel enclosures for all ComCompact devices.



[Download product data sheet!](#)

No.	Type - Cooling capacity L35L35 / L35L50 (DIN 3168)	Voltage / Frequency	Dimensions (W × H × D mm)	Catalogue No.
1	KG 4482 - 450 W / 280 W	230 V - 50/60 Hz	430 × 230 × 330	5.44820001
2	KG 4482 - 450 W / 280 W	120 V - 60 Hz	430 × 230 × 330	5.44821001
3	KG 4555 - 1,1 kW / 700 W	230 V - 50/60 Hz	600 × 400 × 400	5.45550001
4	KG 4555 - 1,1 kW / 700 W	120 V - 60 Hz	600 × 400 × 400	5.45551001
5	KG 4555 - 1,1 kW / 700 W	400/460 V - 50/60 Hz 3~	600 × 400 × 400	5.45552001
6	KG 4533 - 550 W / 370 W	230 V - 50/60 Hz	Mounted in 19" rack enclosure	5.45330001
7	KG 4534 - 850 W / 590 W	230 V - 50/60 Hz	Mounted in 19" rack enclosure	5.45340001
8	KG 4535 - 900 W / 700 W	230 V - 50/60 Hz	Mounted in 19" rack enclosure	5.45350000
9	KG 4535 - 900 W / 700 W	120 V - 60 Hz	Mounted in 19" rack enclosure	5.45351000



**Diversed cooling capacity of your enclosure**

- IP protection according to IEC 60 529; External/Internal: IP24/54
- Operating temperature range: +10°C – +55°C

The ultra-compact and lightweight air conditioners are specially designed for small enclosures with limited mounting areas. They can be mounted externally, recessed or mounted into a 19" rack with only 3U unit height.

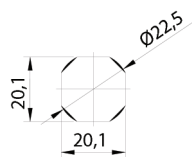
The compact compressor with its variable speed, can be set to provide only the cooling power which is actually needed. The constant adjustment results in a very uniform temperature level within the cabinet and therefore stresses the electrical components and the cooling significantly less. This results in higher safety and longer life cycle. In addition, the condensation inside the cabinet is minimized. The CoolMatch Series sets new performance-to-size standards which makes it particularly suitable for applications such as battery cooling. In case of emergency the DC operation allows the unit to be battery operated. All this comes with significant energy savings!



[Download product data sheet!](#)

No.	Type - Cooling capacity L35L35 / L35L50 (DIN 3168)	Voltage / Frequency	Dimensions (W × H × D mm)	Catalogue No.
1	KG 2019 - 520 W / 380 W	24 V DC	Montaż w szafie 19"	5.20190240
2	KG 2019 - 520 W / 380 W	48 V DC	Montaż w szafie 19"	5.20190480
3	KG 2020 - 520 W / 380 W	24 V DC	Montaż w szafie 19"	5.20200240
4	KG 2020 - 520 W / 380 W	48 V DC	Montaż w szafie 19"	5.20200480
5	KG 2025 - 520 W / 380 W	24 V DC	475 × 310 × 98	5.20250241
6	KG 2025 - 520 W / 380 W	48 V DC	475 × 310 × 98	5.20250481
7	KG 2002 - 520 W / 380 W	24 V DC	204 × 260 × 220	5.20020240
8	KG 2002 - 520 W / 380 W	48 V DC	204 × 260 × 220	5.20020480

Scope of delivery:  
Package contents 1 piece.



Combi



Padlock hasp and staple for M22 lock



KL-D5



KL-T9

## Locks

– suitable for RSA, SZA and PS enclosures.

As a standard in enclosures of RSA, SZA and PS type D5 cam locks are mounted.

You can also install locks with the other shape of the tip or other patent locks. All locks are suitable for the COMBI cut out (see figure below) used in the RSA, SZA and PS.

No.	Description	Catalogue No.
1	M22-D5-21-Ni Standard D5, nickel-plated, metal cam lock	911-001
2	M-22-T9-21-Ni Triangle T9, nickel-plated, metal cam lock	911-002
3	M22-1333-21-Cr Patent code 1333, chromed, metal cam lock	911-003
4	M22-1333-21-9005 Patent code 1333, black, metal cam lock	911-004
5	PM18.002-21-9005 Patent code 1333, black, metal, thumb turn cam lock	911-005
6	PM18.002-21-Cr Patent code 1333, chromed, metal, thumb turn cam lock	911-006
7	PM 18.006-21-9005 Keyless, black, metal, thumb turn cam lock	911-007
8	PM18.006-21-Cr Keyless, chromed, metal, thumb turn cam lock	911-008
9	M22-D5-21-OH Standard D5, stainless steel, metal cam lock	911-000

## ST

– Padlock hasp and staple for RSA, SZA and PS.

It is used to provide additional protection against unauthorized opening of the enclosure.

No.	Description	Catalogue No.
1	ST1/M22-ZN Blokada zamka M22 na kłódkę. Metalowa ocynkowana.	911-011
2	ST1/M22-OH Blokada zamka nierdzewna 1.4301 (AISI 304) na kłódkę	911-029

## KL

– Keys

They are used for enclosure servicing.

No.	Description	Catalogue No.
1	KL-D5 Standard D5, nickel-plated, metal key.	911-009
2	KL-T9 Triangle T9, nickel-plated, metal key.	911-010

### Scope of delivery:

The package contains 1 item (without the key – reference number: 911-001 and 911-002).

### RS-300 – Swing handle lock

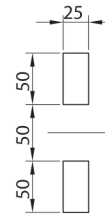
– suitable for RSB, SZB and RR enclosures.

As a standard in RSB, SZB and RR enclosures there are RS-300 swing handle locks mounted. For this kind of lock as an option you can add patent or shape inserts. You can also order RS-300/U - espagnolette lock with padlock hasp or lock made of acid-proof steel.

No.	Description	Catalogue No.
1	RS-300 – Plastic swing handle lock with additional elements.	915-001
2	RS-300/U – Plastic swing handle lock with hasp and staple and additional elements.	915-002
3	RS-300/U-KO – Acid-proof steel 1.4404 (AISI 316L) swing handle lock with hasp and staple and additional elements.	915-003



RS-300



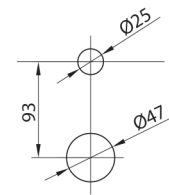
RS-300/U-KO

### RS-500 – Espagnolette lock

– suitable for RWX and ZK

As a standard in standing RWX enclosures there are espagnolette RS-500 locks mounted. For this lock, patent or shape lock insert can be used. Espagnolette lock is equipped with hasp and staple for a padlock.

No.	Description	Catalogue No.
1	RS-500 – Plastic espagnolette lock with additional elements.	921-001
2	RS-500/U – Plastic espagnolette lock with additional elements.	921-002



RS-500

### WRS

– Lock insert for RS-300, RS-500

It is used to provide additional protection against unauthorized opening of the enclosure. The offer includes two shape inserts and a standard code 1333 patent insert.

No.	Description	Catalogue No.
1	WRS-P-001 Patent insert code 1333	912-003
2	WRS-D5 Standard D5 shape insert	912-004
3	WRS-T9 Triangular T9 shape insert	912-006



WRS-P-001



WRS-D5



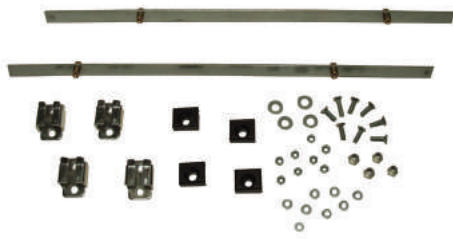
WRS-T9

#### Scope of delivery:

RS-300: The package contains 1 item with rack and pinion, latch and standardized parts.

RS-500: The package contains 1 item with latch and standardized parts. Espagnolette bars of a suitable length must be ordered separately.

WRS: The package contains 1 item with a screw to fasten to the swung handle lock.



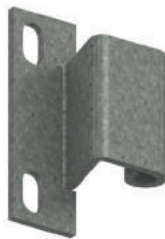
PL - RS-300 flat rod latching system



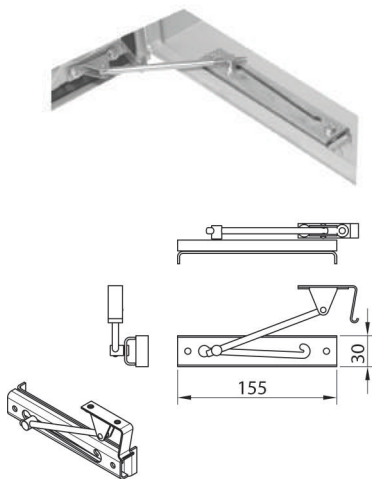
PR - Espagnolette rods



Z1 Hinge



Z2 Hinge



OGR-Z

**PL**  
- RS-300 flat rod latching system

Mounted to lock the door in 4 points. Available in lengths adapted to the height of RSB, SZB and RR enclosures.

No.	Description	Catalogue No.
1	PL - 800	916-001
2	PL - 1000	916-002
3	PL - 1200	916-003
4	PL - 1400	916-004
5	PL - 1600	916-005
6	PL - 1800	916-006
7	PL - 2000	916-007
8	PL - 2200	916-008

**PR - Espagnolette rods with fixing elements**  
- suitable for RWX

Mounted to lock the door in 3 points. Available in lengths adapted to the height of RWX enclosures.

No.	Description	Catalogue No.
1	PR - 1600	923-001
2	PR - 1800	923-002
3	PR - 2000	923-003

**Z - Hinges**  
- suitable for RSA, SZA, RSB, SZB, PS and RR

Made of galvanized or stainless steel.

No.	Description	Catalogue No.
1	Z-1 - Hinge for RSA, SZA or PS - galvanized steel - with elements: bush, bolt, nut, pad.	911-024
2	Z-1-OH - Hinge for RSA, SZA or PS - stainless steel - with elements: bush, bolt, nut, pad.	911-025
3	Z-2 - Hinge for RSB, SZB or RR - galvanized steel - with elements: bush, bolt, nut, pad.	918-030
4	Z-2-OH - Hinge for RSB, SZB or RR - stainless steel - with elements: bush, bolt, nut, pad.	918-031

**OGR-Z - Door restrictor (mounted)**  
- suitable for RSA, SZA, PS

It is used for restriction of freely closing door during servicing of the enclosure. It is made of galvanized or stainless steel. Mounting of the door restrictor has to be ordered at the producers (there is no possibility of self-mounting by the customer).

No.	Description	Catalogue No.
1	OGR-Z-155 - Door restrictor L=155 (mounted)	911-023
2	OGR-OH-155 - Stainless steel door restrictor L=155 (mounted)	911-028

Scope of delivery: PL: In the package 1 pair with brackets and flat rod holders - 4 pcs per set. · PR: 1 pair with the rod fastening elements in the package.  
Z: The package contains a hinge with components. · OGR: Mounted in the selected enclosure.

### BLRB-1 – Door Restrictor – suitable for RSB, SZB, RR

It is used for restriction of freely closing door during servicing of the switchgear. It is made of galvanized steel. Mounted by screwing to the perforated stiffening frame of the door and body of the enclosure.

No.	Description	Catalogue No.
1	BLRB-1 – Door restrictor – opening angle: 105°	917-001



BLRB-1

### PPL – Laptop shelf

It is used for easy and reliable placing of a laptop during switchgear servicing. Normally mounted to the internal side of enclosure door. For mounting the shelf in the RS, SZ, RR, PS type of enclosures, three mounting supports P-1 or P-2 should be used. Shelf is made of 1.5 mm thick galvanized steel sheet, powder painted on RAL7035\_GS colour.

No.	Description – shelf dimension (W × D mm)	Catalogue No.
1	PPL – 400 × 400	911-101



PPL

### P-1 i P-2 – Mounting supports – suitable for RSA, RSB, SZA, SZB, RR and PS

It is used for mounting: cable ducts, bundle of cables, cable hoses grips, touch guards. It is mounted to the stiffening profiles of the doors. Made of 2 mm thick galvanized steel sheet.

No.	Description – Enclosure dimension (W mm)	Catalogue No.
1	P-1 – 300	918-001
2	P-1 – 400	918-002
3	P-1 – 500	918-003
4	P-1 – 600	918-004
5	P-1 – 800	918-005
6	P-2 – 400	918-035
7	P-2 – 600	918-036
8	P-2 – 800	918-037
9	P-2 – 1000	918-038
10	P-2 – 1200	918-039
11	P-2 – 1600	918-040



P-1 – Mounting support

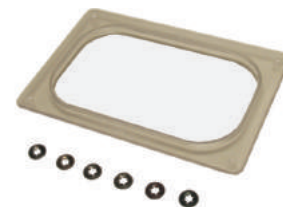


P-2 – Mounting support

### Inspection window – IP44

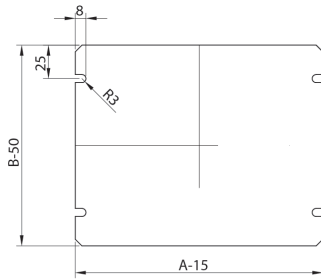
It is used for reading the counter status of the meter board in enclosures with a low IP rating. Made of transparent polycarbonate.

No.	Description	Catalogue No.
1	Inspection window – 120 × 80 IP44	5-900-017

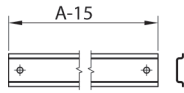


Inspection window – IP44

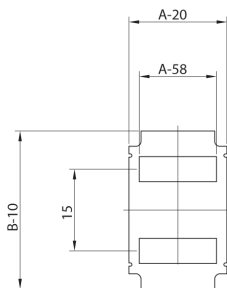
Scope of delivery: BLRB-1: 1 piece with fastening elements in the package. · PPL: Shelf with 2 angle bars fitted with hinges, 2 restrictors and mounting elements (without mounting supports). P-1 and P-2: 1 set with fastening elements in the package. · Wizjer: 1 inspection window, with 4 safety plates in the package.



PO – Mounting plate for OZ



TOZ – DIN Rail TS-35 for OZ



MOZ – Modular Cover for OZ

## PO

### – Mounting plate for OZ

It is fitted to the internal angle bars and used for mounting of the electrical apparatus.  
Mounting plate is made of 2 mm thick galvanized steel sheet.

No.	Description – Enclosure dimensions (W × H mm)	Catalogue No.
1	PO – 150 × 150	106-101
2	PO – 200 × 150	106-102
3	PO – 200 × 200	106-103
4	PO – 200 × 250	106-104
5	PO – 250 × 250	106-105
6	PO – 250 × 300	106-106
7	PO – 300 × 300	106-107
8	PO – 400 × 300	106-108

## TOZ

### – DIN Rail TS-35 for OZ

It is fitted to the internal angle bars and used for mounting of the modular apparatus.

No.	Description – Enclosure dimension (W mm)	Catalogue No.
1	TOZ – 150	106-201
2	TOZ – 200	106-202
3	TOZ – 250	106-203
4	TOZ – 300	106-204
5	TOZ – 400	106-205

## MOZ

### – Modular Cover for OZ

It is used for covering the modular apparatus. It is mounted to the internal perforated angle bars.  
The cover is suitable for enclosures with the width of at least 100 mm.

No.	Description – Enclosure dimensions (W × H mm)	Number of modules in a row	Number of rows	Total number of modules	Catalogue No.
1	MOZ – 150 × 150	5	1	5	106-301
2	MOZ – 200 × 150	8	1	8	106-302
3	MOZ – 200 × 200	8	1	8	106-303
4	MOZ – 200 × 250	8	1	8	106-304
5	MOZ – 250 × 250	11	1	11	106-305
6	MOZ – 300 × 300	14	2	28	106-306
7	MOZ – 400 × 300	20	2	40	106-307

#### Scope of delivery:

1 set with fastening elements in the package.

**PA****- Mounting plate for RSA, SZA**

PA and PAP mounting plates:

- PA – full mounting plate
- PAP – perforated mounting plate

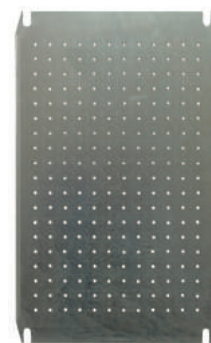
Mounting plate is an internal element of the RSA and SZA enclosure. It is used for mounting the electrical apparatus. Mounting plate is made of 2 mm thick galvanized steel sheet and depending on its size bent on two or four sides. It is fixed to enclosure by oval holes on 4 or 6 M8 stud bolts.

PAP – perforated mounting plate allows for mounting of the apparatus system through the 5.2 fi round holes, with an option of threading of the M6 hole with a 25 × 25 mm spacing.

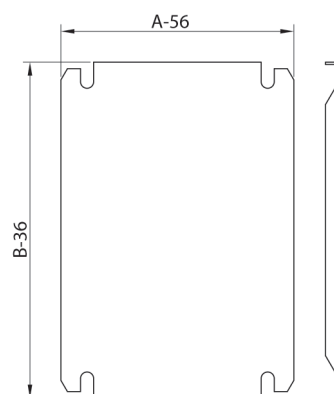
No.	Description – Enclosure dimensions (W × H mm)	Catalogue No. PA	Catalogue No. PAP
1	PA – 200 × 300	106-001	107-001
2	PA – 300 × 200	106-002	107-002
3	PA – 300 × 300	106-003	107-003
4	PA – 300 × 400	106-004	107-004
5	PA – 300 × 500	106-005	107-005
6	PA – 400 × 300	106-006	107-006
7	PA – 400 × 400	106-007	107-007
8	PA – 400 × 500	106-008	107-008
9	PA – 400 × 600	106-009	107-009
10	PA – 400 × 800	106-010	107-010
11	PA – 400 × 1000	106-011	107-011
12	PA – 500 × 500	106-012	107-012
13	PA – 500 × 600	106-013	107-013
14	PA – 500 × 700	106-014	107-014
15	PA – 600 × 400	106-015	107-015
16	PA – 600 × 500	106-016	107-016
17	PA – 600 × 600	106-017	107-017
18	PA – 600 × 800	106-018	107-018
19	PA – 600 × 1000	106-019	107-019
20	PA – 600 × 1200	106-020	107-020
21	PA – 800 × 600	106-021	107-021
22	PA – 800 × 800	106-022	107-022
23	PA – 800 × 1000	106-023	107-023
24	PA – 800 × 1200	106-024	107-024



PA – Mounting plate for RSA, SZA



PAP – Perforated mounting plate



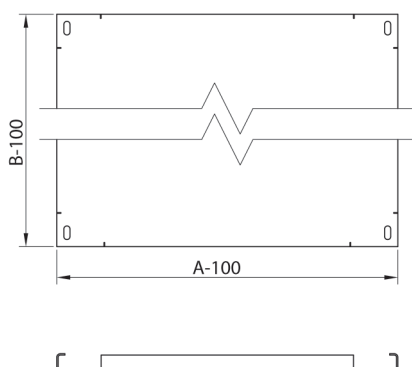
PA – Mounting plate for RSA, SZA

**Scope of delivery:**

In the package – 1 piece without fastening elements.



PB – Mounting plate for RSB, SZB, RR



## PB

### – Mounting plate for RSB, SZB, RR

Mounting plate PB and PBP

- PB – full mounting plate
- PBP – perforated mounting plate

Mounting plate is an internal element of the RSB, SZB and RR enclosure. It is used for mounting the electrical apparatus. Mounting plate is made of 2 mm thick galvanized steel sheet and bent on all sides. It is mounted to the enclosure on 4 perforated mounting brackets. The brackets have square holes, spaced 25 mm, so you can adjust the depth of the plate.

PBP – perforated mounting plate allows for mounting of the apparatus system through the 5.2 fi round holes with option with an option of threading of the M6 hole with a 25 × 25 mm spacing.

No.	Description – Enclosure dimensions (W × H mm)	Catalogue No. PB	Catalogue No. PBP
1	PB – 600 × 1400	128-001	129-001
2	PB – 600 × 1600	128-002	129-002
3	PB – 600 × 1800	128-003	129-003
4	PB – 600 × 2000	128-004	129-004
5	PB – 800 × 1400	128-005	129-005
6	PB – 800 × 1600	128-006	129-006
7	PB – 800 × 1800	128-007	129-007
8	PB – 800 × 2000	128-008	129-008
9	PB – 1000 × 800	128-009	129-009
10	PB – 1000 × 1000	128-010	129-010
11	PB – 1000 × 1200	128-011	129-011
12	PB – 1000 × 1400	128-012	129-012
13	PB – 1000 × 1600	128-013	129-013
14	PB – 1000 × 1800	128-014	129-014
15	PB – 1000 × 2000	128-015	129-015
16	PB – 1200 × 800	128-016	129-016
17	PB – 1200 × 1000	128-017	129-017
18	PB – 1200 × 1200	128-018	129-018
19	PB – 1200 × 1400	128-019	129-019
20	PB – 1200 × 1600	128-020	129-020
21	PB – 1200 × 1800	128-021	129-021
22	PB – 1200 × 2000	128-022	129-022
23	PB – 1600 × 1800	128-023	129-023
24	PB – 1600 × 2000	128-024	129-024
25	PB – 400 × 2000	128-030	129-030
26	PB – 600 × 1200	128-031	129-031
27	PB – 600 × 2200	128-032	129-032
28	PB – 800 × 1200	128-033	129-033
29	PB – 800 × 2200	128-034	129-034
30	PB – 1200 × 2200	128-035	129-035

Scope of delivery:

In the package – 1 piece without fastening elements.



**PU****- Universal mounting plate for RSA, SZA, RSB, SZB, RR**

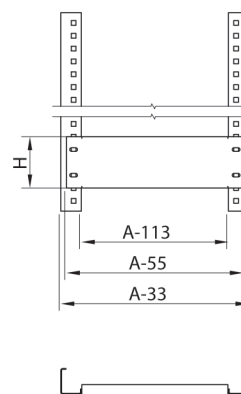
Universal mounting plate is used in enclosures where electrical apparatus is mounted on various depths or heights. Universal plates are partial mounting plates. In RSA and SZA enclosures it must be mounted on BPA - Vertical Metric Beams (p. 100) and on WRG - Depth Adjustment Brackets (p. 132). Whereas in RSB, SZB and RR enclosures it must be mounted on BPB - Vertical Metric Beam (p. 101). These elements are attached to the internal perforated support elements. Universal mounting plate is made of 2 mm thick galvanized steel sheet.



PU - Universal mounting plate

**PUA - Universal mounting plate for RSA, SZA**

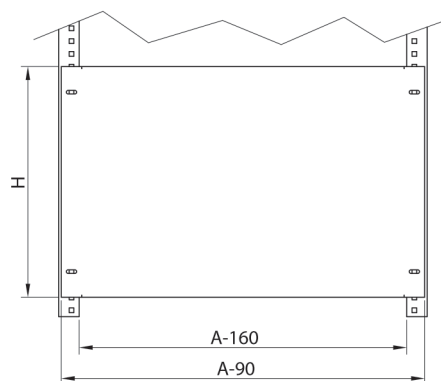
No.	Description - dimensions (W of the enclosure × H of the plate; mm)	Catalogue No.
1	PUA - 300 × 100	114-001
2	PUA - 300 × 200	114-002
3	PUA - 300 × 300	114-003
4	PUA - 400 × 100	114-004
5	PUA - 400 × 200	114-005
6	PUA - 400 × 300	114-006
7	PUA - 500 × 100	114-007
8	PUA - 500 × 200	114-008
9	PUA - 500 × 300	114-009
10	PUA - 600 × 100	114-010
11	PUA - 600 × 200	114-011
12	PUA - 600 × 300	114-012
13	PUA - 800 × 100	114-013
14	PUA - 800 × 200	114-014
15	PUA - 800 × 300	114-015



PUA - Universal mounting plate for RSA, SZA

**PUB - Universal mounting plate for RSB, SZB, RR**

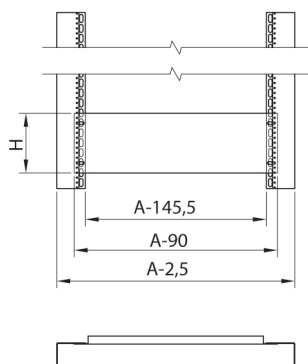
No.	Description - dimensions (W of the enclosure × H of the plate; mm)	Catalogue No.
1	PUB - 600 × 100	136-001
2	PUB - 600 × 200	136-002
3	PUB - 600 × 300	136-003
4	PUB - 800 × 100	136-004
5	PUB - 800 × 200	136-005
6	PUB - 800 × 300	136-006
7	PUB - 1000 × 100	136-007
8	PUB - 1000 × 200	136-008
9	PUB - 1000 × 300	136-009
10	PUB - 1200 × 100	136-010
11	PUB - 1200 × 200	136-011
12	PUB - 1200 × 300	136-012
13	PUB - 1600 × 100	136-013
14	PUB - 1600 × 200	136-014
15	PUB - 1600 × 300	136-015



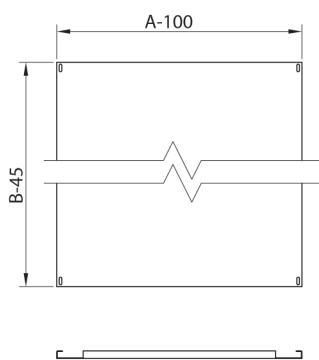
PUB - Universal mounting plate for RSB, SZB, RR

**Scope of delivery:**

In the package - 1 piece without vertical metric beams (must be ordered separately). Furthermore for mounting vertical metric beams in RSA and SZA depth adjustment brackets (p. 132) have to be used.



PU-RWX- Universal mounting plate  
for RWX



PC-RWX - full mounting plate  
for RWX

## PU-RWX

### - Universal mounting plate for RWX

PU-RWX – is used for the apparatus, which due to its size cannot be mounted on TSL rails. Plates of 50 mm height are suitable for mounting on WRG-RWX Depth Adjustment Brackets (p. 134) in 2 points by 2 ZC-RWX clips (p. 134). Plates with 150 and 300 mm height are suitable for mounting on WRG-RWX Depth Adjustment Brackets in 4 points by 4 ZC-RWX clips.

The mounting plate is made of 1.5 mm thick galvanized steel sheet.

No.	Description – dimensions (W of the enclosure × H of the plate; mm)	Catalogue No.
1	PU – 350 × 50	206-001
2	PU – 350 × 150	206-002
3	PU – 350 × 300	206-003
4	PU – 550 × 50	206-004
5	PU – 550 × 150	206-005
6	PU – 550 × 300	206-006
7	PU – 750 × 50	206-007
8	PU – 750 × 150	206-008
9	PU – 750 × 300	206-009
10	PU – 950 × 50	206-010
11	PU – 950 × 150	206-011
12	PU – 950 × 300	206-012
13	PU – 1150 × 50	206-013
14	PU – 1150 × 150	206-014
15	PU – 1150 × 300	206-015

## PC-RWX

### - Full mounting plate for RWX

PC-RWX – is used when mounting elements of bigger sizes than modular apparatus is necessary. RWX enclosures of the heights listed below are suitable for direct mounting of PC-RWX.

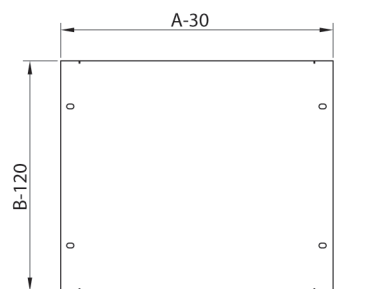
Full mounting plate is made of 1.5 mm thick galvanized steel sheet.

No.	Description – Enclosure dimensions (W × H mm)	Catalogue No.
1	PC – 350 × 1800	207-001
2	PC – 350 × 2000	207-002
3	PC – 550 × 1600	207-003
4	PC – 550 × 1800	207-004
5	PC – 550 × 2000	207-005
6	PC – 750 × 1600	207-006
7	PC – 750 × 1800	207-007
8	PC – 750 × 2000	207-008
9	PC – 950 × 1600	207-009
10	PC – 950 × 1800	207-010
11	PC – 950 × 2000	207-011
12	PC – 1150 × 1600	207-012
13	PC – 1150 × 1800	207-013
14	PC – 1150 × 2000	207-014

**PM-ZK****- Mounting plate for ZK**

PM-ZK – is used for free assembly of electrical equipment. Mounting plate is made of 1.5 mm thick galvanized steel sheet, bent on two sides to provide additional stiffening.

No.	Description – Enclosure dimensions (W × H mm)	No. of plates in the package	Catalogue No.
1	PM-ZK1 – 400 × 600	1	305-001
2	PM-ZK1-W – 400 × 800	1	305-002
3	PM-ZK1-P – 400 × 600 × 2	2	305-003
4	PM-ZK2 – 600 × 600	1	305-004
5	PM-ZK2-W – 600 × 800	1	305-005
6	PM-ZK2-P – 600 × 600 × 2	2	305-006
7	PM-ZK3 – 850 × 600	1	305-007
8	PM-ZK3-W – 850 × 800	1	305-008
9	PM-ZK3-P – 850 × 600 × 2	2	305-009



PM-ZK – Mounting plate for ZK

**SPEN****- PEN rail for ZK**

SPEN – Aluminum PEN Rail with dimensions of 30 × 5 mm allows for mounting of hoop iron strap of the appropriate size.

No.	Description – Enclosure dimension (W mm)	No. of rails in the package	Catalogue No.
1	SPEN-ZK1 – 400	1	305-101
2	SPEN-ZK1-W – 400	1	305-102
3	SPEN-ZK1-P – 400 × 2	2	305-103
4	SPEN-ZK2 – 600	1	305-104
5	SPEN-ZK2-W – 600	1	305-105
6	SPEN-ZK2-P – 600 × 2	2	305-106
7	SPEN-ZK3 – 850	1	305-107
8	SPEN-ZK3-W – 850	1	305-108
9	SPEN-ZK3-P – 850	2	305-109

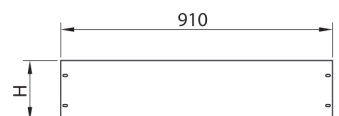
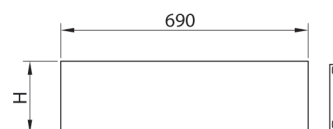


SPEN – PEN rail for ZK

**PUZ****- Mounting plate for Z1, Z2, ZDA**

PUZ – is used for free assembly of electrical equipment. Mounting plate is made of 2 mm thick galvanized steel sheet, bent on two sides to provide additional stiffening.

No.	Description – dimensions Z1/ZDA (W of the enclosure × H of the plate; mm)	Catalogue No. PUZ-Z1/Z2	Catalogue No. PUZ-ZDA
1	PUZ – 610/910 × 150	331-001	332-001
2	PUZ – 610/910 × 200	331-002	332-002
3	PUZ – 610/910 × 250	331-003	332-003
4	PUZ – 610/910 × 325	331-004	332-004
5	PUZ – 610/910 × 450	331-005	332-005
6	PUZ – 610/910 × 710	331-006	332-006

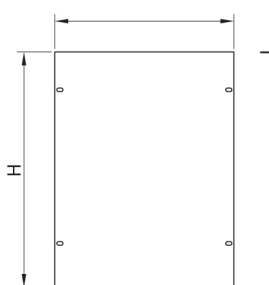


PUZ – Mounting plate for Z1, Z2, ZDA

Scope of delivery: PM-ZK: Plates packed in the quantity as listed in the table above, with fastening elements.  
 SPEN: Rails packed in the quantity as listed in the table above, with fastening elements.  
 PUZ: 1 piece with fastening elements in the package.

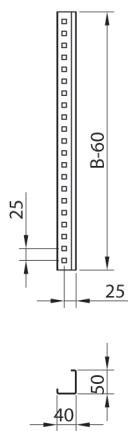


Chamber width – 50 mm



Chamber height	H
400	320
600	460
800	620

PM-SKR – Mounting Plate for SKR



BPA – Vertical Beam for RSA, SZA

## PM-SKR – Mounting Plate for SKR (for Thermosetting Enclosures)

PM-SKR – is used for free assembly of electrical equipment. Mounting plate is made of 1.5 mm thick galvanized steel sheet. Scope of delivery includes same amount of mounting plates as the number of chambers in the enclosure.

No.	Description – Enclosure dimensions (W × H mm)	No. of mounting plates	Catalogue No.
1	PM-SKR – 260*400	1	106-401
2	PM-SKR – 260*600	1	106-402
3	PM-SKR – 260*800	1	106-403
4	PM-SKR – 260*800*2	2	106-404
5	PM-SKR – 400*400	1	106-405
6	PM-SKR – 400*600	1	106-406
7	PM-SKR – 400*800	1	106-407
8	PM-SKR – 400*800*2	2	106-408
9	PM-SKR – 520*400	1	106-409
10	PM-SKR – 520*400*2	2	106-410
11	PM-SKR – 520*600	1	106-411
12	PM-SKR – 520*600*2	2	106-412
13	PM-SKR – 520*800	1	106-413
14	PM-SKR – 520*800*2	2	106-414
15	PM-SKR – 520*800*4	4	106-415
16	PM-SKR – 800*400	1	106-416
17	PM-SKR – 800*400*2	2	106-417
18	PM-SKR – 800*600	1	106-418
19	PM-SKR – 800*600*2	2	106-419
20	PM-SKR – 800*800	1	106-420
21	PM-SKR – 800*800*2	2	106-421
22	PM-SKR – 800*800*3	3	106-422
23	PM-SKR – 800*800*4	4	106-423

## BP

### – Metric Vertical Beams

Vertical Beams are used in enclosures where electrical apparatus is mounted on various depths or heights. Metric Vertical Beams are perforated vertically with 9.2 × 9.2 mm square holes spaced every 25 mm. Elements are assembled using M6 cage nuts and screws with washers. For mounting in RSA or SZA enclosures it is necessary to install WRG – Depth Adjustment Brackets (p. 132) in advance.

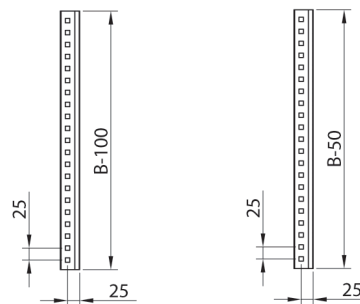
Beams are made of 2 mm thick galvanized steel sheet.

BPA – Vertical Beam for RSA, SZA (left + right) – metric

No.	Description – Enclosure dimension (H mm)	Catalogue No.
1	BPA – 300	112-001
2	BPA – 400	112-002
3	BPA – 500	112-003
4	BPA – 600	112-004
5	BPA – 800	112-005
6	BPA – 1000	112-006
7	BPA – 1200	112-007

BPB – Vertical Beam for RSB, SZB (left + right) – metric

No.	Description – Enclosure dimension (H mm)	Catalogue No.
1	BPA – 800	137-001
2	BPA – 1000	137-002
3	BPA – 1200	137-003
4	BPA – 1400	137-004
5	BPA – 1600	137-005
6	BPA – 1800	137-006
7	BPA – 2000	137-007



BPR – Vertical Beam for RR (left + right) – metric

No.	Description – Enclosure dimension (H mm)	Catalogue No.
1	BPR – 1200	151-001
2	BPR – 1600	151-002
3	BPR – 1800	151-003
4	BPR – 2000	151-004
5	BPR – 2200	151-005



BPB – Vertical Beam for RSB, SZB

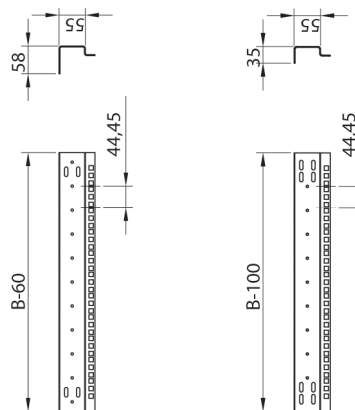
BPR – Vertical Beam for RR

**BP-19**  
– 19” Vertical Beams

Vertical Beams are used in enclosures where electrical apparatus is mounted on various depths or heights. 19” Vertical Beams are perforated vertically with 9.2 × 9.2 mm square holes in the "U" shape spacing. Elements are assembled using M6 cage nuts and screws with washers. For mounting in RSA or SZA enclosures it is necessary to install WRG – Depth Adjustment Brackets (p. 132) in advance. Beams are made of 2 mm thick galvanized steel sheet.

BPA-19 – Vertical Beam for RSA, SZA (left + right) – 19”

No.	Description – Enclosure dimension (H)   Rack Unit height	Catalogue No.
1	BPA-19-300 – 5U	113-001
2	BPA-19-400 – 7U	113-002
3	BPA-19-500 – 9U	113-003
4	BPA-19-600 – 12U	113-004
5	BPA-19-800 – 16U	113-005
6	BPA-19-1000 – 21U	113-006
7	BPA-19-1200 – 25U	113-007



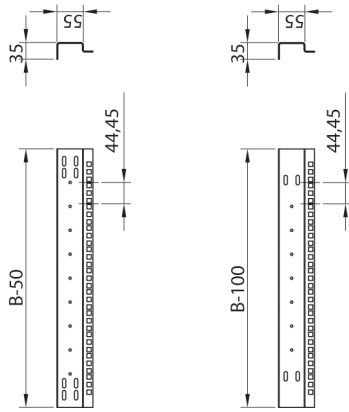
BPA-19 – Vertical Beam for RSA, SZA

BPB-19 – Vertical Beam for RSB, SZB

BPB-19 – Vertical Beam for RSB, SZB (left + right) – 19”

No.	Description – Enclosure dimension (H)   Rack Unit height	Catalogue No.
1	BPB-19-800 – 15U	138-001
2	BPB-19-1000 – 20U	138-002
3	BPB-19-1200 – 24U	138-003
4	BPB-19-1400 – 29U	138-004
5	BPB-19-1600 – 33U	138-005
6	BPB-19-1800 – 38U	138-006
7	BPB-19-2000 – 42U	138-007

Scope of delivery:  
BP: Pair of Vertical Beams with fastening elements in the package.

BPR-19 – Vertical Beam  
for RR19" Bearing Beam  
for IT Enclosures

## BPR-19 – Vertical Beam for RR (left + right) – 19"

No.	Description - Enclosure dimension (H)   Rack Unit height	Catalogue No.
1	BPR-19-1200 – 24U	152-001
2	BPR-19-1600 – 33U	152-002
3	BPR-19-1800 – 38U	152-003
4	BPR-19-2000 – 42U	152-004
5	BPR-19-2200 – 47U	152-005

## BNS

## – 19" Bearing Beam for IT Enclosures

In enclosures of 800 mm width for 19" spacing it is required to additionally use Extension Arms (p. 113).

Beams are made of 2 mm thick galvanized steel sheet.

No.	Description – Enclosure dimension Rack Unit height	Catalogue No. Bearing Beam	Catalogue No. Center Bearing Beam	Catalogue No. Bearing Angle Bar
1	47U	492-001	493-001	494-001
2	45U	492-002	493-002	494-002
3	42U	492-003	493-003	494-003
4	39U	492-004	493-004	494-004
5	36U	492-005	493-005	494-005
6	33U	492-006	493-006	494-006
7	30U	492-007	493-007	494-007
8	27U	492-008	493-008	494-008
9	24U	492-009	493-009	494-009
10	18U	492-010	493-010	494-010
11	15U	492-011	493-011	494-011
12	12U	492-012	493-012	494-012
13	10U	492-013	493-013	494-013
14	6U	492-014	493-014	494-014
15	4U	492-015	493-015	494-015



RSA with modular construction

## KM

## – Modular construction

KMA is used for mounting modular equipment in RSA and SZA enclosures. The modular construction consists of two carrying channel bars fixed to the internal bolts of the enclosure.

KM and KMR are used for mounting modular equipment in the RSB, SZB and RR enclosures. The modular construction consists of two carrying channel bars fixed to the internal perforated carrying elements of the enclosure (depth is thus adjustable). It is fitted with TS-35 rails with reinforcing strips and modular covers with a standard height of 150 mm. The mounting construction that is not filled up with modular covers is blanked in the bottom part with appropriate size full blank covers. The modular construction is made of 1.2 mm thick steel sheet, powder painted on RAL7035\_GS colour.

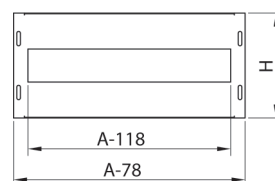
## Scope of delivery:

BPR: Pair of Vertical Beams with fastening elements in the package.

BNS: 1 piece with fastening elements in the package.

## KMA – Modular construction for RSA, SZA

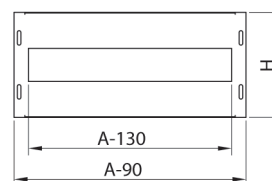
No.	Description – Enclosure dimensions (W × H mm)	No. of modules in a cover	No. of covers	Total no. of modules	Catalogue No.
1	KMA – 200 × 300				
2	KMA – 300 × 200				
3	KMA – 300 × 300	11	2	22	108-003
4	KMA – 300 × 400	11	2	22	108-004
5	KMA – 300 × 500	11	3	33	108-005
6	KMA – 400 × 300	17	2	34	108-006
7	KMA – 400 × 400	17	2	34	108-007
8	KMA – 400 × 500	17	3	51	108-008
9	KMA – 400 × 600	17	4	68	108-009
10	KMA – 400 × 800	17	5	85	108-010
11	KMA – 400 × 1000	17	6	102	108-011
12	KMA – 500 × 500	22	3	66	108-012
13	KMA – 500 × 600	22	4	88	108-013
14	KMA – 500 × 700	22	4	88	108-014
15	KMA – 600 × 400	28	2	56	108-015
16	KMA – 600 × 500	28	3	84	108-016
17	KMA – 600 × 600	28	4	112	108-017
18	KMA – 600 × 800	28	5	140	108-018
19	KMA – 600 × 1000	28	6	168	108-019
20	KMA – 600 × 1200	28	8	224	108-020
21	KMA – 800 × 600	40	4	160	108-021
22	KMA – 800 × 800	40	5	200	108-022
23	KMA – 800 × 1000	40	6	240	108-023
24	KMA – 800 × 1200	40	8	320	108-024



Modular cover in KM for RSA, SZA

## KM – Modular construction for RSB, SZB

No.	Description – Enclosure dimensions (W × H mm)	No. of modules in a cover	No. of covers	Total no. of modules	Catalogue No.
1	KM – 600 × 1400	26	8	208	130-001
2	KM – 600 × 1600	26	10	260	130-002
3	KM – 600 × 1800	26	11	286	130-003
4	KM – 600 × 2000	26	12	312	130-004
5	KM – 800 × 1400	38	8	304	130-005
6	KM – 800 × 1600	38	10	380	130-006
7	KM – 800 × 1800	38	11	418	130-007
8	KM – 800 × 2000	38	12	456	130-008
9	KM – 1000 × 800	49	4	196	130-009
10	KM – 1000 × 1000	49	5	245	130-010
11	KM – 1000 × 1200	49	7	343	130-011
12	KM – 1000 × 1400	49	8	392	130-012
13	KM – 1000 × 1600	49	10	490	130-013
14	KM – 1000 × 1800	49	11	539	130-014
15	KM – 1000 × 2000	49	12	588	130-015
16	KM – 1200 × 800	61	4	244	130-016
17	KM – 1200 × 1000	61	5	305	130-017
18	KM – 1200 × 1200	61	7	427	130-018
19	KM – 1200 × 1400	61	8	488	130-019
20	KM – 1200 × 1600	61	10	610	130-020
21	KM – 1200 × 1800	61	11	671	130-021
22	KM – 1200 × 2000	61	12	732	130-022
23	KM – 1600 × 1800	84	11	924	130-023
24	KM – 1600 × 2000	84	12	1008	130-024



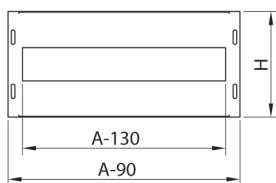
Modular cover in KM and KMR for RSB, SZB, RR

**Scope of delivery:**

Assembled modular construction with fastening elements.



KMR – Modular construction



OM-RWX – Modular cover

## KMR – Modular construction for RR

No.	Description – Enclosure dimensions (W × H mm)	No. of modules in a cover	No. of covers	Total no. of modules	Catalogue No.
1	KMR – 400 × 2000	15	13	195	145-001
2	KMR – 600 × 1200	26	7	182	145-002
3	KMR – 600 × 1600	26	10	260	145-003
4	KMR – 600 × 1800	26	11	286	145-004
5	KMR – 600 × 2000	26	13	338	145-005
6	KMR – 600 × 2200	26	14	364	145-006
7	KMR – 800 × 1200	38	7	266	145-007
8	KMR – 800 × 1600	38	10	380	145-008
9	KMR – 800 × 1800	38	11	418	145-009
10	KMR – 800 × 2000	38	13	494	145-010
11	KMR – 800 × 2200	38	14	532	145-011
12	KMR – 1000 × 1800	49	11	539	145-012
13	KMR – 1000 × 2000	49	13	637	145-013
14	KMR – 1200 × 1200	61	7	427	145-014
15	KMR – 1200 × 1600	61	10	610	145-015
16	KMR – 1200 × 1800	61	11	671	145-016
17	KMR – 1200 × 2000	61	13	793	145-017
18	KMR – 1200 × 2200	61	14	854	145-018

## OM-RWX

## – Modular cover for RWX

It is used for masking points operating under voltage and to display the control part of the modular apparatus. Standard height of modular cover in RWX-M and RWX-L is 150 mm.

The cover is made of 1.2 mm thick steel sheet, powder painted on RAL7035\_GS colour.

No.	Description – dimensions (W of the enclosure × H of the cover, mm)	Catalogue No.
1	OM – 530 × 150	204-001
2	OM – 350 × 175	204-002
3	OM – 350 × 200	204-003
4	OM – 550 × 150	204-004
5	OM – 550 × 175	204-005
6	OM – 550 × 200	204-006
7	OM – 750 × 150	204-007
8	OM – 750 × 175	204-008
9	OM – 750 × 200	204-009
10	OM – 950 × 150	204-010
11	OM – 950 × 175	204-011
12	OM – 950 × 200	204-012
13	OM – 1150 × 150	204-013
14	OM – 1150 × 175	204-014
15	OM – 1150 × 200	204-015

## Scope of delivery:

KM: Assembled modular construction with fastening elements.

OM-RWX: The cover with fastening elements.

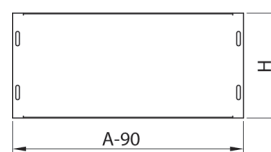


**OP-RWX****- Full cover for RWX**

It is used for masking elements of electric apparatus or empty spaces in RWX.

Full covers are made of 1.2 mm thick steel sheet, powder painted on RAL7035\_GS colour.

No.	Description – dimensions (W of the enclosure × H of the cover, mm)	Catalogue No.
1	OP – 350 × 50	203-001
2	OP – 350 × 100	203-002
3	OP – 350 × 125	203-003
4	OP – 350 × 150	203-004
5	OP – 350 × 175	203-005
6	OP – 350 × 200	203-006
7	OP – 350 × 300	203-007
8	OP – 550 × 50	203-008
9	OP – 550 × 100	203-009
10	OP – 550 × 125	203-010
11	OP – 550 × 150	203-011
12	OP – 550 × 175	203-012
13	OP – 550 × 200	203-013
14	OP – 550 × 300	203-014
15	OP – 750 × 50	203-015
16	OP – 750 × 100	203-016
17	OP – 750 × 125	203-017
18	OP – 750 × 150	203-018
19	OP – 750 × 175	203-019
20	OP – 750 × 200	203-020
21	OP – 750 × 300	203-021
22	OP – 950 × 50	203-022
23	OP – 950 × 100	203-023
24	OP – 950 × 125	203-024
25	OP – 950 × 150	203-025
26	OP – 950 × 175	203-026
27	OP – 950 × 200	203-027
28	OP – 950 × 300	203-028
29	OP – 1150 × 50	203-029
30	OP – 1150 × 100	203-030
31	OP – 1150 × 125	203-031
32	OP – 1150 × 150	203-032
33	OP – 1150 × 175	203-033
34	OP – 1150 × 200	203-034
35	OP – 1150 × 300	203-035



OP-RWX – Full cover

**Scope of delivery:**

The cover with fastening elements.



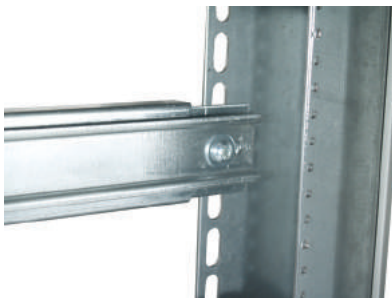
OG-RWX – Masking cover

**OG-RWX****– Masking Cover for depth differences in RWX**

It is used for masking elements of enclosure equipment mounted at different depths, e.g. in the RWX-L enclosure – between the modular cover and the meter board.

The cover is made of 1.2 mm thick steel sheet, powder painted on RAL7035\_GS colour.

No.	Description – enclosure dimension (W mm)	Catalogue No.
1	OG – 350	205-001
2	OG – 550	205-002
3	OG – 750	205-003
4	OG – 950	205-004
5	OG – 1150	205-005



TSL-RWX – TS-35 rail with reinforcing strip

**TSL-RWX****– TS-35 rail with reinforcing strip for RWX**

It is used for mounting modular apparatus. Rails are mounted on bottom wall of the bearing channel bar or on the depth adjustment bracket.

Both the rail and reinforcing strip are made of 1.5 mm thick galvanized steel sheet.

No.	Description – enclosure dimension (W mm)	Catalogue No.
1	TSL – 350	208-001
2	TSL – 550	208-002
3	TSL – 750	208-003
4	TSL – 950	208-004
5	TSL – 1150	208-005



DW – Internal door

**DW****– Internal door**

It is used in enclosures where control and measuring apparatus needs additional protection against weather conditions or unauthorized access. The internal door is made of two vertical profiles and door equipped with D5 locks and hinges. For mounting the internal door in RSA or SZA, depth adjustment brackets WGR (p. 132) are necessary.

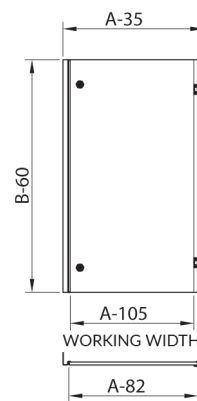
The internal door is made of 1.5 mm thick steel sheet, powder painted on RAL7035\_GS colour.

**Scope of delivery:**

OG-RWX: Cover with fastening elements. · TSL-RWX: 1 piece with fastening elements in the package.

## DWA – Internal door for RSA, SZA

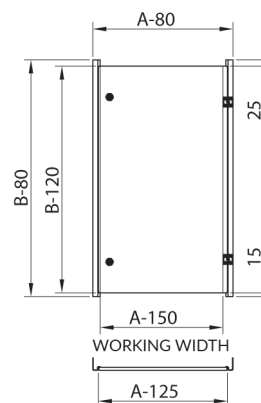
No.	Description – enclosure dimensions (W × H mm)	Catalogue No.
1	DWA – 200 × 300	
2	DWA – 300 × 200	
3	DWA – 300 × 300	109-001
4	DWA – 300 × 400	109-002
5	DWA – 300 × 500	109-003
6	DWA – 400 × 300	109-004
7	DWA – 400 × 400	109-005
8	DWA – 400 × 500	109-006
9	DWA – 400 × 600	109-007
10	DWA – 400 × 800	109-008
11	DWA – 400 × 1000	109-009
12	DWA – 500 × 500	109-010
13	DWA – 500 × 600	109-011
14	DWA – 500 × 700	109-012
15	DWA – 600 × 400	109-013
16	DWA – 600 × 500	109-014
17	DWA – 600 × 600	109-015
18	DWA – 600 × 800	109-016
19	DWA – 600 × 1000	109-017
20	DWA – 600 × 1200	109-018
21	DWA – 800 × 600	109-019
22	DWA – 800 × 800	109-020
23	DWA – 800 × 1000	109-021
24	DWA – 800 × 1200	109-022



DWA – Internal door for RSA, SZA

## DWB – Internal door for RSB, SZB

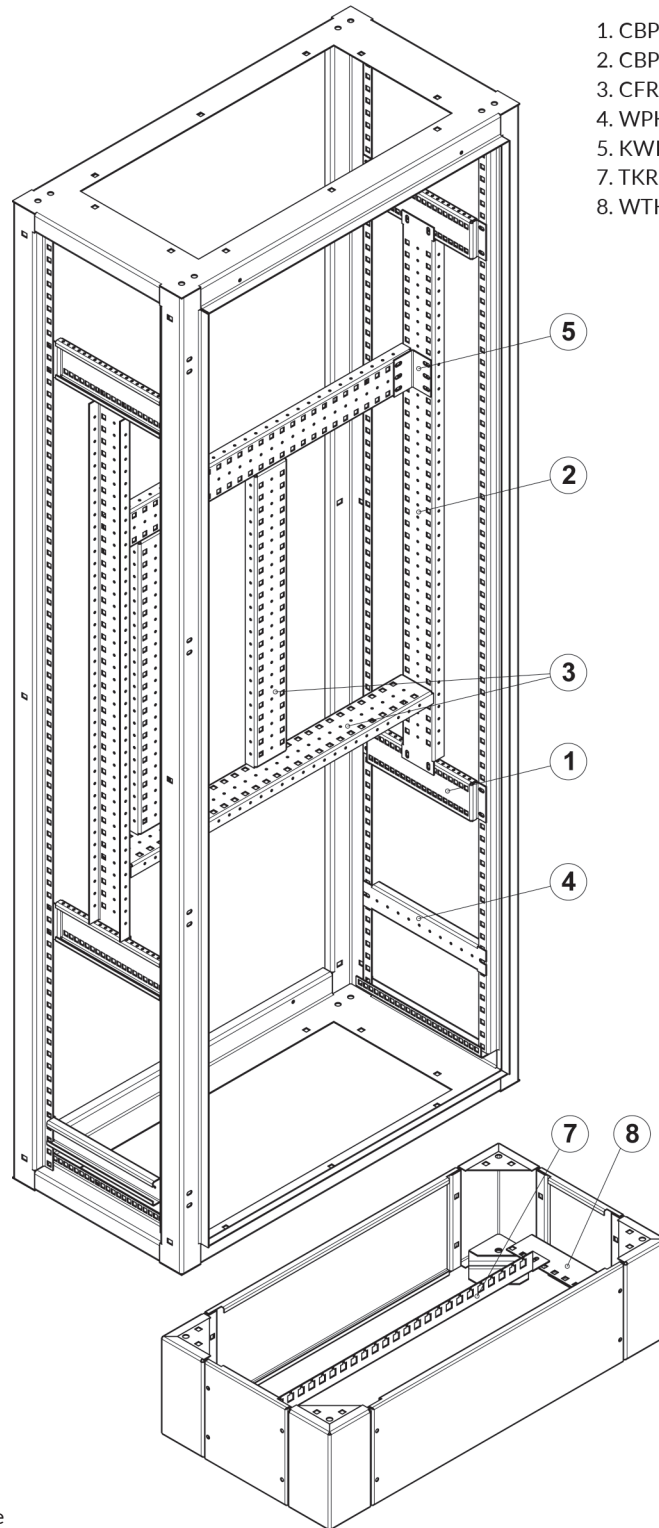
No.	Description – Enclosure dimensions (W × H mm)	Catalogue No.
1	DWB – 600 × 1400	131-001
2	DWB – 600 × 1600	131-002
3	DWB – 600 × 1800	131-003
4	DWB – 600 × 2000	131-004
5	DWB – 800 × 1400	131-005
6	DWB – 800 × 1600	131-006
7	DWB – 800 × 1800	131-007
8	DWB – 800 × 2000	131-008
9	DWB – 1000 × 800	131-009
10	DWB – 1000 × 1000	131-010
11	DWB – 1000 × 1200	131-011
12	DWB – 1000 × 1400	131-012
13	DWB – 1000 × 1600	131-013
14	DWB – 1000 × 1800	131-014
15	DWB – 1000 × 2000	131-015
16	DWB – 1200 × 800	131-016
17	DWB – 1200 × 1000	131-017
18	DWB – 1200 × 1200	131-018
19	DWB – 1200 × 1400	131-019
20	DWB – 1200 × 1600	131-020
21	DWB – 1200 × 1800	131-021
22	DWB – 1200 × 2000	131-022
23	DWB – 1600 × 1800	131-023
24	DWB – 1600 × 2000	131-024



DWB – Internal door for RSB, SZB

## Scope of delivery:

Assembled internal door with mounting elements.



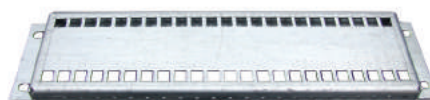
Drawing of the RR frame

**CBPR****- Side transverse channel bar for RR**

It is used to increase the internal mounting capacity of Rack Enclosures (RR). Mounted to the vertical bearing bars of the enclosure frame. An appropriate dimension of CBPR channel bar ensures common surface with the bearing beams to the depth of the enclosure frame. This allows for mounting of partial bearing elements e.g. shorter vertical beams with the PUB universal mounting plates.

It is made of 2 mm thick galvanized steel sheet.

No.	Description - enclosure dimension (D mm)	Catalogue No.
1	CBPR - 400	155-001
2	CBPR - 500	155-002
3	CBPR - 600	155-003
4	CBPR - 800	155-004



CBPR

**CBPIR****- Side vertical channel bar for RR**

It is mounted to the bearing beams of the enclosure frame (depthwise). The channel bar can be mounted to the enclosure frame and to one or two CBPR side transverse channel bars.

Made of 2 mm thick galvanized steel sheet.

No.	Description - enclosure dimension (H mm)	Catalogue No.
1	CBPIR - 400	156-001
2	CBPIR - 600	156-002
3	CBPIR - 800	156-003
4	CBPIR - 1000	156-004
5	CBPIR - 1200	156-005
6	CBPIR - 1600	156-006
7	CBPIR - 1800	156-007
8	CBPIR - 2000	156-008
9	CBPIR - 2200	156-009

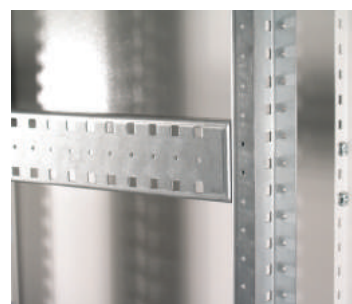


CBPIR

**CFR****- Front channel bar for RR**

It is mounted to the rack system elements. Adjusted to the width of RR. Made of 2 mm thick galvanized steel sheet.

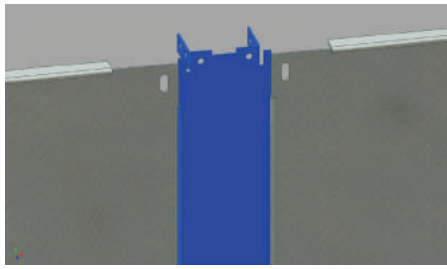
No.	Description - enclosure dimension (W mm)	Catalogue No.
1	CRF - 400	157-001
2	CRF - 600	157-002
3	CRF - 800	157-003
4	CRF - 1000	157-004
5	CRF - 1200	157-005



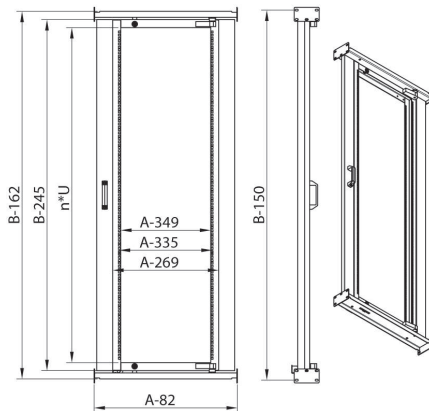
CFR

**Scope of delivery:**

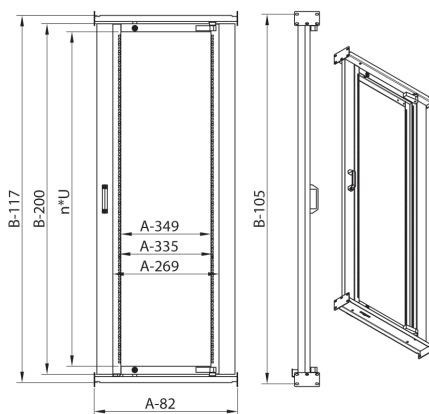
1 piece with fastening elements in the package.



LPM



RU - 19" Tilt frame for RSB, SZB



RUR, RU-STL - 19" Tilt frame for RR, STL

## LPM

### - Mounting Plate Connector for RR

It is used to obtain an even mounting surface in RR bayed in rows. Made from 2 mm thick, galvanized steel sheet

No.	Description - Enclosure dimensions (H mm)	Catalogue No.
1	LPM - 1200	160-001
2	LPM - 1600	160-002
3	LPM - 1800	160-003
4	LPM - 2000	160-004
5	LPM - 2200	160-005

## RU

### - Tilt frame

It is used for mounting 19" devices in enclosures of 800 mm width. Available in the symmetrical and asymmetrical version. Locked by D5 lock with espagnolette bars. The frame has process openings allowing to change the opening direction. Frame bearing capacity - 160 kg.

Maximum mounting depth:

- symmetrical frame: 360 mm,
- asymmetrical frame: 440 mm.

Made of steel sheet and profiles, painted on RAL7035\_GS colour.

#### RU - 19" Tilt frame for RSB, SZB

No.	Description - Enclosure dimensions   Rack Unit height	Catalogue No. symmetrical	Catalogue No. asymmetrical
1	RU-1400 - 24U	132-001	133-001
2	RU-1600 - 28U	132-002	133-002
3	RU-1800 - 33U	132-003	133-003
4	RU-2000 - 37U	132-004	133-004

#### RUR - 19" Tilt frame for RR

No.	Description - Enclosure dimensions   Rack Unit height	Catalogue No. symmetrical	Catalogue No. asymmetrical
1	RUR-1200 - 20U	132-100	133-100
2	RUR-1600 - 29U	132-102	133-102
3	RUR-1800 - 34U	132-103	133-103
4	RUR-2000 - 38U	132-104	133-104
5	RUR-2200 - 43U	132-105	133-105

#### RU-STL - 19" Tilt frame for STL

No.	Description - Enclosure dimensions   Rack Unit height	Catalogue No.
1	Tilt Frame for STL-15U, rack unit 11U	496-101
2	Tilt Frame for STL-18U, rack unit 14U	496-102
3	Tilt Frame for STL-24U, rack unit 20U	496-103
4	Tilt Frame for STL-27U, rack unit 23U	496-104
5	Tilt Frame for STL-30U, rack unit 26U	496-105
6	Tilt Frame for STL-33U, rack unit 29U	496-106
7	Tilt Frame for STL-36U, rack unit 32U	496-107
8	Tilt Frame for STL-39U, rack unit 35U	496-108
9	Tilt Frame for STL-42U, rack unit 38U	496-109
10	Tilt Frame for STL-45U, rack unit 41U	496-110
11	Tilt Frame for STL-47U, rack unit 43U	496-111

### SL-U/E – Grounding, Screening or Neutralization Strip System for RSB, SZB, RR

Used for ensuring reliable grounding/screening or neutralization connections inside the enclosure.

- SLU – Grounding Strip System,
- SEZ – Screening or Neutralization Strip System,
- SLUEZ – Grounding, Screening or Neutralization Strip System.

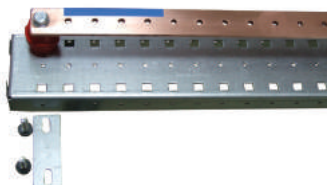
The set consists of:

- SLU Grounding Strip System – equipped with threaded M6 holes in 25 mm spacing, made of 4 × 30 mm steel flat bar, electrolytically galvanized after machining,
- SEZ Screening or Neutralization Strip System – equipped with threaded M6 holes in 25 mm spacing, made of 4 × 30 copper flat bar,
- SLUEZ – A set of above elements: Grounding Strip and Screening or Neutralization Strip mounted on one Front Channel Bar.

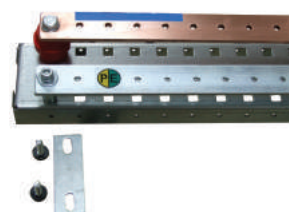
No.	Description – Enclosure dimension (W mm)	Catalogue No. SLU	Catalogue No. SEZ	Catalogue No. SLUEZ
1	SL-U/E – 400	5-920-001	5-924-001	5-925-001
2	SL-U/E – 600	5-920-002	5-924-002	5-925-002
3	SL-U/E – 800	5-920-003	5-924-003	5-925-003
4	SL-U/E – 1000	5-920-004	5-924-004	5-925-004
5	SL-U/E – 1200	5-920-005	5-924-005	5-925-005
6	SL-U/E – 1600	5-920-006	5-924-006	5-925-006



SLU – Grounding Strip System



SEZ – Screening or Neutralization Strip System



SLUEZ – Grounding, Screening or Neutralization Strip System

### Grounding Strip for STL enclosures

It is mounted to the M6 × 12 copper bolts by threaded spacing in the top or bottom cover. It is made of copper flat bar.

No.	Description	Catalogue No.
1	Grounding Strip with spacing	5-904-001



Grounding Strip

### Grounding Cable

It is used for grounding body of the enclosure with the door. Grounding cable consist of LgY 1 × 6 mm<sup>2</sup> cable and two 6-6 ring tips.

no.	Description	Catalogue No.
1	Grounding Cable L=250 mm	5-900-012



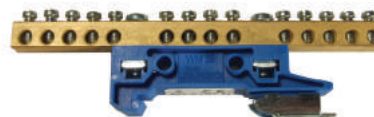
Grounding Cable

### N and PE Bar

It is mounted on TS-35 rail. It has 14 connection points. Number of points depends on the number of circuits which must be protected.

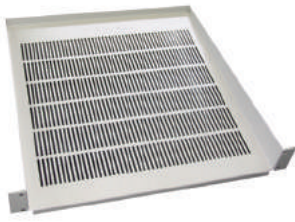
- N Bar – blue colour,
- PE Bar – blue and yellow colour.

No.	Description	Catalogue No.
1	N Bar	5-900-015
2	PE Bar	5-900-016



N Bar

Scope of delivery: SL-U/E: 1 set with fastening elements in the package. • Grounding strip: 1 piece with fastening elements in the package. • Grounding cable: The package includes a cable and a set of nuts and washers. • N and PE bar: 1 piece in the package.



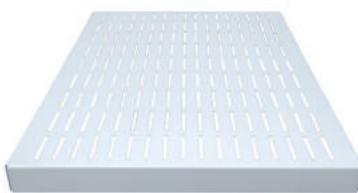
2/S Shelf - mounted on 2 bearing beams  
- fixed version



2/R Shelf - mounted on 2 bearing beams  
- movable version



4/S Shelf - mounted on 4 bearing beams  
- fixed version



6/S, 6/R Shelf

### 2/S, 2/R Shelf

The possibility of mounting in IT enclosures and racks.  
Height of 2U - assembly in a 19" system.

- 2/S Shelf - mounted on 2 bearing beams, fixed version,
- 2/R Shelf - mounted on 2 bearing beams, movable version.

No.	Description - Shelf dimension (D mm) / bearing capacity (kg)	Catalogue No.
1	Fixed shelf - 250 mm / 25 kg	465-001
2	Fixed shelf - 350 mm / 25 kg	465-002
3	Fixed shelf - 450 mm / 25 kg	465-003
4	Fixed shelf - 550 mm / 25 kg	465-004
5	Movable shelf - 360 mm / 20 kg	466-001
6	Movable shelf - 460 mm / 20 kg	466-002
7	Movable shelf - 560 mm / 20 kg	466-003

### 4/S, 4/R Shelf

The possibility of mounting in IT enclosures.  
Height of 2U - assembly in a 19" system.

- 4/S Shelf - mounted on 4 bearing beams, fixed version,
- 4/R Shelf - mounted on 4 bearing beams, movable version.

No.	Description - Shelf dimension (D mm) / bearing capacity (kg)	Catalogue No.
1	Fixed shelf - 250 mm / 110 kg	467-001
2	Fixed shelf - 350 mm / 110 kg	467-002
3	Fixed shelf - 450 mm / 110 kg	467-003
4	Fixed shelf - 550 mm / 110 kg	467-004
5	Movable shelf - 360 mm / 30 kg	468-001
6	Movable shelf - 460 mm / 30 kg	468-002
7	Movable shelf - 560 mm / 30 kg	468-003

### 6/S, 6/R Shelf

The possibility of mounting in IT enclosures.  
Height of 1U - fixed shelf, assembly in a 19" system.  
Height of 2U - movable shelf, assembly in a 19" system.

- 6/S Shelf - mounted on 6 bearing beams, fixed version,
- 6/R Shelf - mounted on 6 bearing beams, movable version.

No.	Description - Shelf dimension (D mm) / bearing capacity (kg)	Catalogue No.
1	Fixed shelf - 650 mm / 180 kg	469-001
2	Fixed shelf - 850 mm / 180 kg	469-002
3	Fixed shelf - 1050 mm / 180 kg	469-003
4	Movable shelf - 650 mm / 150 kg	470-001
5	Movable shelf - 850 mm / 150 kg	470-002
6	Movable shelf - 1050 mm / 150 kg	470-003

#### Scope of delivery:

1 piece with fastening elements in the package.

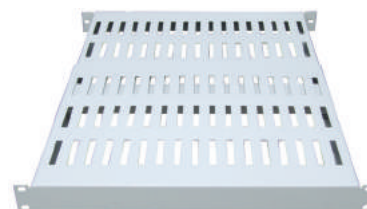


## 4/GR Shelf

The possibility of mounting in IT enclosures.

4/GR Shelf – mounted on four bearing beams, adjustable version.

No.	Description – Shelf dimension (D mm) / bearing capacity (kg)	Catalogue No.
1	Shelf with depth adjustment in the range from 350 to 600 mm / 40 kg	473-001
2	Shelf with depth adjustment in the range from 500 to 900 mm / 40 kg	473-002



4/GR Shelf

## Connector for STL-19" and STL-SE-19"

It is used to rigidly connect enclosures in series. It is mounted to perforated vertical channel bars. The connectors are made of a steel rod, after galvanizing treatment.

No.	Description	Catalogue No.
1	Connector for STL-19" and STL-SE-19"	416-097



Connector for STL-19" and STL-SE-19"

## WSTL – 19 / 21 – Extension Arm for STL-19" and STL-SE-19"

It is mounted to the construction of 800 mm wide enclosures, in order to obtain a 19 or 21-inch spacing on the bearing beams. Made of 2 mm thick galvanized steel sheet, powder painted on RAL7035\_GS.

No.	Description	Catalogue No.
1	WSTL – 19"	495-001
2	WSTL – 21"	495-002



WSTL – Extension Arm for STL-19" and STL-SE-19"

## PZ-19" – Blanking panel

It is used for masking unused space in 19" systems. Made of 1 mm thick steel sheet, powder painted on RAL7035\_GS.

No.	Description – rack unit height (U)	Catalogue No.
1	PZ-19 – 1U	485-001
2	PZ-19 – 1,5U	485-002
3	PZ-19 – 2U	485-003
4	PZ-19 – 3U	485-004
5	PZ-19 – 4U	485-005
6	PZ-19 – 5U	485-006
7	PZ-19 – 6U	485-007



PZ-19" – Blanking panel

### Scope of delivery:

1 piece with mounting elements in the package.



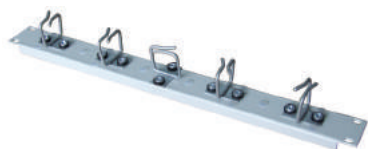
PK-1-19" - Cable entry plate

**PK-1-19"****- Cable entry plate**

It is used to facilitate the organization of cables inside the device. In offer there are two versions of cable entry plate: with secured edges opening or with brush opening.

Made of 1.5 mm thick steel sheet, powder painted on RAL7035\_GS.

No.	Description	Catalogue No.
1	PK-1-19 with secured edges opening	487-001
2	PK-1-19 with brush opening	487-002



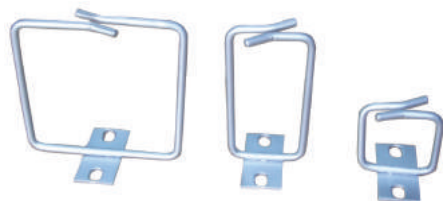
OK-1-19" - Cable organizer

**OK-1-19"****- Cable organizer**

It is used to facilitate the organization of cables inside the device.

Made of 1.5 mm thick steel sheet, powder painted on RAL7035\_GS.

No.	Description	Catalogue No.
1	OK-1-19 - 1U with cable holders	488-001
2	OK-1-19 - 2U with cable holders	488-002
3	OK-1-19 - 1U without cable holders	489-001
4	OK-1-19 - 2U without cable holders	489-002



UK - Cable holder

**UK****- Cable holder**

It is used to facilitate the organization of cables inside the device.

It is mounted to the cable organizer or to carrying beams.

Made of galvanized steel sheet.

No.	Description - Dimensions (mm)	Catalogue No.
1	UK - 40 × 40	490-001
2	UK - 40 × 80	490-002
3	UK - 80 × 80	490-003

**Scope of delivery:**

1 piece with mounting elements in the package.

## Plinths

Plinth includes four of each elements: corners, side covers and z-bars for mounting to the floor. Weight of the enclosure is carried by the corners. Z-bars allow for secure mounting the enclosure to the floor. Easily removable covers allow access to the area under the enclosure. Z-bars allow for permanent mounting of the enclosure to the ground. There is an option of using swivel wheels in place of z-bars. Plinths are made in two height versions 100 or 200 mm.

They are made from galvanized steel. The thickness for z-bars is 1,5mm and corners are 2 mm thick. After treatment, painted on RAL9005\_DS or brushed stainless steel with the same thickness dimensions. CSTL Plinth is powder painted on RAL7035\_GS.

- CA-100 – Plinth for RSA, SZA, RSC, SZC; 100 mm height;
- CA-200 – Plinth for RSA, SZA, RSC, SZC; 200 mm height;
- CA-OH-100 – Stainless steel AISI 304 (1.4301) plinth for RSA, SZA, RSC, SZC; 100 mm height;
- CA-OH-200 – Stainless steel AISI 304 (1.4301) plinth for RSA, SZA, RSC, SZC; 200 mm height;
- CA-KO-100 – Acid-proof steel AISI 316L (1.4404) plinth for RSA, SZA, RSC, SZC; 100 mm height;
- CA-KO-200 – Acid-proof steel AISI 316L (1.4404) plinth for RSA, SZA, RSC, SZC; 200 mm height.

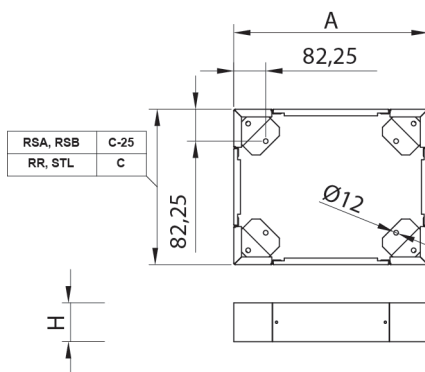
No.	Description – Enclosure dimensions (W × D mm)	Catalogue No. CA-100	Catalogue No. CA-200	Catalogue No. CA-OH-100	Catalogue No. CA-OH-200	Catalogue No. CA-KO-100	Catalogue No. CA-KO-200
1	CA – 400 × 210	110-001	115-001	176-001	177-001	176-101	177-101
2	CA – 400 × 250	110-002	115-002	176-002	177-002	176-102	177-102
3	CA – 400 × 300	110-003	115-003	176-003	177-003	176-103	177-103
4	CA – 500 × 210	110-004	115-004	176-004	177-004	176-104	177-104
5	CA – 500 × 250	110-005	115-005	176-005	177-005	176-105	177-105
6	CA – 500 × 300	110-006	115-006	176-006	177-006	176-106	177-106
7	CA – 600 × 210	110-007	115-007	176-007	177-007	176-107	177-107
8	CA – 600 × 250	110-008	115-008	176-008	177-008	176-108	177-108
9	CA – 600 × 300	110-009	115-009	176-009	177-009	176-109	177-109
10	CA – 600 × 400	110-010	115-010	176-010	177-010	176-110	177-110
11	CA – 800 × 210	110-011	115-011	176-011	177-011	176-111	177-111
12	CA – 800 × 250	110-012	115-012	176-012	177-012	176-112	177-112
13	CA – 800 × 300	110-013	115-013	176-013	177-013	176-113	177-113
14	CA – 800 × 400	110-014	115-014	176-014	177-014	176-114	177-114
15	CA – 600 × 500	110-015	115-015	176-015	177-015	176-115	177-115
16	CA – 600 × 600	110-016	115-016	176-016	177-016	176-116	177-116



Plinth



Stainless steel plinth



Plinth - technical drawing

- CB-100 – Plinth for RSB or SZB; 100 mm height;
- CB-200 – Plinth for RSB or SZB; 200 mm height;
- CB-OH-100 – Stainless steel AISI 304 (1.4301) plinth for RSB or SZB; 100 mm height;
- CB-OH-200 – Stainless steel AISI 304 (1.4301) plinth for RSB or SZB; 200 mm height;
- CB-KO-100 – Acid-proof steel AISI 316L (1.4404) plinth for RSB or SZB; 100 mm height;
- CB-KO-200 – Acid-proof steel AISI 316L (1.4404) plinth for RSB or SZB; 200 mm height.

No.	Description – Enclosure dimensions (W × D mm)	Catalogue No. CB-100	Catalogue No. CB-200	Catalogue No. CB-OH-100	Catalogue No. CB-OH-200	Catalogue No. CB-KO-100	Catalogue No. CB-KO-200
1	CB – 600 × 300	134-001	135-001	165-001	166-001	165-101	166-101
2	CB – 600 × 400	134-002	135-002	165-002	166-002	165-102	166-102
3	CB – 600 × 500	134-003	135-003	165-003	166-003	165-103	166-103
4	CB – 600 × 600	134-004	135-004	165-004	166-004	165-104	166-104
5	CB – 800 × 300	134-005	135-005	165-005	166-005	165-105	166-105
6	CB – 800 × 400	134-006	135-006	165-006	166-006	165-106	166-106
7	CB – 800 × 500	134-007	135-007	165-007	166-007	165-107	166-107
8	CB – 800 × 600	134-008	135-008	165-008	166-008	165-108	166-108
9	CB – 1000 × 250	134-009	135-009	165-009	166-009	165-109	166-109
10	CB – 1000 × 300	134-010	135-010	165-010	166-010	165-110	166-110
11	CB – 1000 × 400	134-011	135-011	165-011	166-011	165-111	166-111
12	CB – 1000 × 500	134-020	135-020	165-020	166-020	165-120	166-120
13	CB – 1000 × 600	134-012	135-012	165-012	166-012	165-112	166-112
14	CB – 1200 × 300	134-013	135-013	165-013	166-013	165-113	166-113
15	CB – 1200 × 400	134-014	135-014	165-014	166-014	165-114	166-114
16	CB – 1200 × 500	134-015	135-015	165-015	166-015	165-115	166-115
17	CB – 1200 × 600	134-016	135-016	165-016	166-016	165-116	166-116
18	CB – 1600 × 400	134-017	135-017	165-017	166-017	165-117	166-117
19	CB – 1600 × 500	134-018	135-018	165-018	166-018	165-118	166-118
20	CB – 1600 × 600	134-019	135-019	165-019	166-019	165-119	166-119

- CR-100 – Plinth for RR, 100 mm height;
- CR-200 – Plinth for RR, 200 mm height;
- CR-OH-100 – Stainless steel AISI 304 (1.4301) plinth for RR, 100 mm height;
- CR-OH-200 – Stainless steel AISI 304 (1.4301) plinth for RR, 200 mm height;
- CR-KO-100 – Acid-proof steel AISI 316L (1.4404) plinth for RR, 100 mm height;
- CR-KO-200 – Acid-proof steel AISI 316L (1.4404) plinth for RR, 200 mm height.

No.	Description – Enclosure dimensions (W × D mm)	Catalogue No. CR-100	Catalogue No. CR-200	Catalogue No. CR-OH-100	Catalogue No. CR-OH-200	Catalogue No. CR-KO-100	Catalogue No. CR-KO-200
1	CR – 400 × 400	148-001	149-001	163-001	164-001	163-101	164-101
2	CR – 400 × 500	148-002	149-002	163-002	164-002	163-102	164-102
3	CR – 400 × 600	148-003	149-003	163-003	164-003	163-103	164-103
4	CR – 600 × 400	148-004	149-004	163-004	164-004	163-104	164-104
5	CR – 600 × 500	148-005	149-005	163-005	164-005	163-105	164-105
6	CR – 600 × 600	148-006	149-006	163-006	164-006	163-106	164-106
7	CR – 600 × 800	148-007	149-007	163-007	164-007	163-107	164-107
8	CR – 800 × 400	148-008	149-008	163-008	164-008	163-108	164-108
9	CR – 800 × 500	148-009	149-009	163-009	164-009	163-109	164-109
10	CR – 800 × 600	148-010	149-010	163-010	164-010	163-110	164-110
11	CR – 800 × 800	148-011	149-011	163-011	164-011	163-111	164-111
12	CR – 1000 × 400	148-012	149-012	163-012	164-012	163-112	164-112
13	CR – 1000 × 500	148-013	149-013	163-013	164-013	163-113	164-113
14	CR – 1000 × 600	148-014	149-014	163-014	164-014	163-114	164-114
15	CR – 1000 × 800	148-015	149-015	163-015	164-015	163-115	164-115
16	CR – 1200 × 400	148-016	149-016	163-016	164-016	163-116	164-116
17	CR – 1200 × 500	148-017	149-017	163-017	164-017	163-117	164-117
18	CR – 1200 × 600	148-018	149-018	163-018	164-018	163-118	164-118
19	CR – 1200 × 800	148-019	149-019	163-019	164-019	163-119	164-119

**CSTL**

- Plinth for STL-19" and STL-SE-19" enclosures.

- CSTL-100 – Plinth for STL-19", STL-SE-19", 100 mm height;
- CSTL-200 – Plinth for STL-19", STL-SE-19", 200 mm height;
- CSTL-N-100 – Plinth for STL-19", STL-SE-19", with levelling feet, 100 mm height;
- CSTL-N-200 – Plinth for STL-19", STL-SE-19", with levelling feet, 200 mm height.



No.	Description – Enclosure dimensions (W × D mm)	Catalogue No. CSTL-100	Catalogue No. CSTL-200	Catalogue No. CSTL-N-100	Catalogue No. CSTL-N-200
1	CSTL – 800 × 1000	499-001	499-007	499-030	499-036
2	CSTL – 800 × 800	499-002	499-008	499-031	499-037
3	CSTL – 800 × 600	499-003	499-009	499-032	499-038
4	CSTL – 600 × 1000	499-004	499-010	499-033	499-039
5	CSTL – 600 × 800	499-005	499-011	499-034	499-040
6	CSTL – 600 × 600	499-006	499-012	499-035	499-041
7	CSTL – 600 × 1200	499-013	499-015	499-042	499-044
8	CSTL – 800 × 1200	499-014	499-016	499-043	499-045

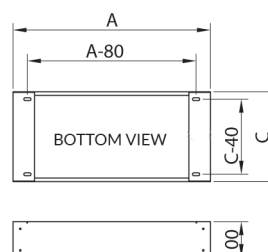
**CX**

- Plinth for RWX

A plinth for standing RWX enclosures contains of two sides with an option of screwing into the ground, which provide support for the enclosure, and two covers - front and rear.

The plinth is made of 1.5 mm thick galvanized steel sheet, powder painted on RAL7035\_GS.

No.	Description – Enclosure dimensions (W × D mm)	Catalogue No.
1	CX – 350 × 250	231-001
2	CX – 350 × 300	231-002
3	CX – 350 × 400	231-003
4	CX – 550 × 250	231-004
5	CX – 550 × 300	231-005
6	CX – 550 × 400	231-006
7	CX – 750 × 250	231-007
8	CX – 750 × 300	231-008
9	CX – 750 × 400	231-009
10	CX – 950 × 250	231-010
11	CX – 950 × 300	231-011
12	CX – 950 × 400	231-012
13	CX – 1150 × 250	231-013
14	CX – 1150 × 300	231-014



CX – Plinth for RWX

**Scope of delivery:**

Assembled plinth with mounting elements.



NG – Legs stand for ZK

**NG****– Legs stand for ZK**

It is used for configuration of ZK-based enclosures to portable Construction Site Enclosures. Depending on the width of the enclosure the dimension of the central reinforcement bar changes. The reinforcement bar is used for mounting sockets and legs of the enclosure in a set. A standard leg height is 400 mm.

Legs stand is made of 2 mm thick steel sheet and 1 mm thick reinforcement bar, all powder painted on RAL7035\_GS.

No.	Description – enclosure dimension (W mm)	Catalogue No.
1	NG-1 – 400	307-001
2	NG-2 – 600	307-002
3	NG-3 – 850	307-003



SNG – Reinforced base stand for ZK

**SNG****– Reinforced base stand for ZK**

SNG is bigger and reinforced version of a legs stand.

It is used for configuration of ZK-based enclosures to portable Construction Site Enclosures. Depending on the width of the enclosure the dimension of the base changes. A standard base height is 400 mm.

The base is partially made of 30 × 30 × 4 mill steel angle bar, powder painted on RAL7035\_GS.

No.	Description – enclosure dimension (W mm)	Catalogue No.
1	SNG-1 – 400	308-001
2	SNG-2 – 600	308-002
3	SNG-3 – 850	308-003



ZD-ZK – Bottom blank cover for ZK

**ZD****– Bottom blank cover for ZK**

It is used for covering bottom of the ZK enclosure (normally open) to increase tightness or for mounting purposes for example mounting enclosure on a pole.

No.	Description – enclosure dimension (W mm)	No. of blank covers in the package	Catalogue No.
1	ZD-1 – 400	1	306-001
2	ZD-2 – 600	1	306-002
3	ZD-3 – 850	1	306-003

**Scope of delivery:**

NG: The package contains a pair of legs, central reinforcement bar of appropriate width and fastening elements.

SNG i ZD: 1 piece with fastening elements in the package.

**TKR****- Cable holder for RSA, SZA, RSB, SZB, RR**

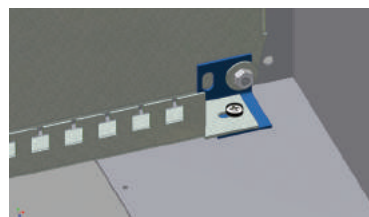
Is used to reduce the possibility of pulling out the cable from the enclosure by tightening the plastic ties on the cable holders. In RSA and SZA enclosures the cable holder is mounted to the mounting plate with mounting angle bars. In the RSB and SZB it is attached directly to the bottom brackets. In RR it is mounted to the perforated brackets by using mounting angle bars. There is an option of mounting the cable holder in plinth of 200 mm height. For this purpose, select the appropriate WTKRB bracket (check the table below).

Made of 2 mm thick galvanized steel sheet.

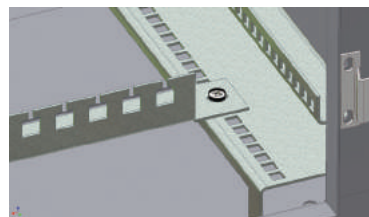
No.	Description - enclosure dimension (W mm)	Catalogue No.
1	TKR - 300	178-101
2	TKR - 400	178-102
3	TKR - 500	178-103
4	TKR - 600	178-104
5	TKR - 800	178-105
6	TKR - 1000	178-106
7	TKR - 1200	178-107
8	TKR - 1600	178-108



1



2



3

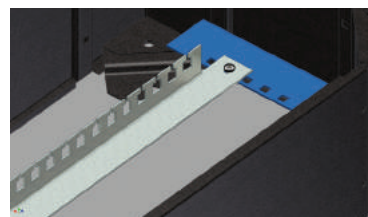
TKR - Cable holder for RR (1), RSA (2) and RSB (3)

**WTKRB****- Cable holder bracket for RSB, SZB, RR**

It is used for mounting Cable Holder in a plinth of 200 mm height. It is mounted to the internal side of the plinth.

Made of 2 mm thick galvanized steel sheet.

No.	Description - enclosure dimension (D mm)	Catalogue No.
1	WTKRB - 300	179-001
2	WTKRB - 400	179-002
3	WTKRB - 500	179-003
4	WTKRB - 600	179-004
5	WTKRB - 800	179-005



WTKRB - Cable holder bracket

**WPKR****- Transverse cable bracket for RR**

It is used for mounting cable harnesses. It is mounted to the vertical bearing beams of a rack enclosure frame or to the door stiffening profile.

Made of 2 mm thick galvanized steel sheet.

No.	Description - enclosure dimension (D mm)	Catalogue No.
1	WPKR - 400	158-001
2	WPKR - 500	158-002
3	WPKR - 600	158-003
4	WPKR - 800	158-004



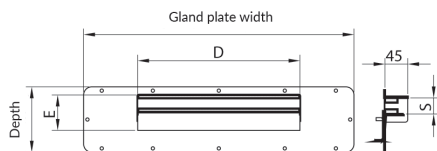
WPKR - Transverse cable bracket

**Scope of delivery:**

TKR: 1 piece with mounting angle bars and fastening elements in the package.

WTKRB: 1 pair of brackets with fastening elements in the package.

WPKR: 1 piece with fastening elements in the package.



PDR – Adjustable gland plate

**PDR – Adjustable Gland Plate**  
for RSA, SZA, RSB, SZB, RSC, SZC, PS.

It is used for easy entry of cables into the enclosure. Equipped with perforated flat bar (you can additionally clamp the cable with a plastic band) and angle bar clamps, surface is provided with polyurethane gasket which provides a higher tightness.

It is made of 1.5 mm thick galvanized steel sheet, powder painted on RAL7035\_GS colour.

In enclosures of 1200 mm width there are 2 openings for PDR-6 gland plate, whereas in enclosures of 1400 and 1600 mm width there are 2 openings for PDR-8 gland plate.

No.	Description – enclosure dimension (W mm)	Catalogue No.
1	PDR-3 – 300 mm	111-001
2	PDR-4 – from 400 to 500 mm	111-002
3	PDR-6 – from 600 to 700 mm	111-003
4	PDR-8 – from 800 to 1000 mm	111-004



ZDG/R – Adjustable blank cover for RWX

**ZDG/R-RWX**  
– Adjustable Blank Cover for top or bottom of RWX

RWX enclosures have openings on top and bottom and are delivered with pre-set full blank covers. Adjustable blank cover is equipped with angle bars covered with polyurethane gasket on their compression surfaces. It is made of 1.2 mm thick galvanized steel sheet, powder painted on RAL7035\_GS colour.

No.	Description – enclosure dimension (W × D mm)	Catalogue No.
1	ZDG/R – 350 × 250	211-002
2	ZDG/R – 350 × 300	211-003
3	ZDG/R – 350 × 400	211-004
4	ZDG/R – 550 × 250	211-006
5	ZDG/R – 550 × 300	211-007
6	ZDG/R – 550 × 400	211-008
7	ZDG/R – 750 × 250	211-010
8	ZDG/R – 750 × 300	211-011
9	ZDG/R – 750 × 400	211-012
10	ZDG/R – 950 × 250	211-014
11	ZDG/R – 950 × 300	211-015
12	ZDG/R – 950 × 400	211-016
13	ZDG/R – 1150 × 250	211-018
14	ZDG/R – 1150 × 300	211-019
15	ZDG/R – 1150 × 400	211-020

Scope of delivery:  
1 piece with fastening elements in the package.



## Cable Gland Plates

They are used for quick and easy cable entry into the enclosure while maintaining a high degree of tightness. There are 15 types of gland plates in the permanent offer. As a standard, they are made of metal sheet covered with rubber in RAL7035 color. It is possible to order a non-flammable, in natural white colour and EMC version. Technical drawings with punching for gland plates are available on page 132.



Download product data sheet!

No.	Description	Cable entries	Catalogue No.
1	Cable gland plate for 10 cables IP 55	2 × (12-21 mm)	5.HTB-10
		2 × (8-15 mm)	
		6 × (5-8 mm)	
2	Cable gland plate for 3 cables IP 65	2 × (24-54 mm)	5.HTC-3
		1 × (30-59 mm)	
		3 × (6-14 mm)	
3	Cable gland plate for 16 cables IP 65	1 × (40 mm)	5.HTC-16
		15 × (20 mm)	
		9 × (18-30 mm) or (10-14mm)	
4	Cable gland plate for 17 cables IP 55	4 × (10-15mm)	5.HTC-17
		4 × (5-10 mm)	
		1 × (20-26 mm, IP 65) or (12-15 mm, IP 55)	
5	Cable gland plate for 25 cables IP 65 / 55	4 × (14-20 mm, IP 65) or (5-10 mm, IP 55)	5.HTC-25
		16 × (8-14 mm, IP 65) or (7-10 mm, IP 55)	
		4 × (5-7 mm, IP 65)	
6	Cable gland plate for 35 cables IP 65	1 × (17-32 mm)	5.HTC-35
		2 × (12-18 mm)	
		16 × (10-14 mm)	
		12 × (7-12 mm)	
7	Cable gland plate for 50 cables IP 65	4 × (6-10 mm)	5.HTC-50
		1 × (15-25 mm)	
		49 × (7-13 mm)	
		4 × (4-8 mm)	
8	Cable gland plate for 36 cables IP 65	4 × (6-10 mm)	5.HTKC-36
		12 × (7-12 mm)	
		14 × (10-14 mm)	
		2 × (12-18 mm)	
9	Cable gland plate for 23 cables IP 55	1 × (17-32 mm)	5.HTx-23
		1 × (33-48) lub (18-15 mm)	
		2 × (25-40) lub (16-10 mm)	
		8 × (18-30) lub (10-14 mm)	
10	Cable gland plate for 26 cables IP 20	4 × (10-14 mm)	5.HTK-26
		4 × (5-10 mm)	
		4 × (3,5-5 mm)	
11	Cable gland plate for 43 cables IP 65	26 × (6,5-14 mm)	5.HTCK-43
		4 × (4-10,5 mm)	
		38 × (7-12,5 mm)	
12	Cable gland plate for 50 cables IP 65	1 × (14-27,5 mm)	5.RIT-50
		2 × (19-34 mm)	
		4 × (16-25 mm)	
		2 × (15-21 mm)	
13	Cable gland plate for 28 cables IP 65	26 × (10-15 mm)	5.HTCK-28
		16 × (6-11 mm)	
		18 × (6-13 mm)	
		6 × (13-28 mm)	
14	Cable gland plate for 1 cable IP 67	4 × (3-11 mm)	5.HTx-1
		1 × (55-70 mm)	
15	Full gland plate	0	5.HTC-0



5.HTCK-43



5.HTC-25



5.HTC-35



5.HTC-50

Scope of delivery:  
1 piece with fastening elements in the package.

**BRR****- Side panels for RR**

It is used for covering side of a row or a single Rack Enclosure (RR). Offered in two versions: internal or external. The internal side cover does not increase the overall dimension of the enclosure (but reduces the tightness to IP23) and in the case of enclosure buying it may also be used as a partition wall. External side panel increases the enclosure width by 25 mm (retains IP 55).

Made of steel, galvanized steel or aluminum sheet, powder painted RAL7035\_GS or brushed stainless steel sheet.

Fitted with foam gasket and grounding studs.

- BRRZ – External side cover;
- BRRW – Internal side cover;
- BRRZ-ZN – Galvanized steel external side cover;
- BRRW-ZN – Galvanized steel internal side cover;
- BRRZ-AL – Aluminum external side cover;
- BRRW-AL – Aluminum internal side cover;
- BRRZ-OH – Stainless steel 1.4301 (AISI 304) external side cover;
- BRRW-OH – Stainless steel 1.4301 (AISI 304) internal side cover;
- BRRZ-KO – Acid-proof steel 1.4404 (AISI 316L) external side cover;
- BRRW-KO – Acid-proof steel 1.4404 (AISI 316L) internal side cover.

No.	Description – enclosure dimensions (H × D mm)	Catalogue No.									
		BRRZ	BRRW	BRRZ-ZN	BRRW-ZN	BRRZ-AL	BRRW-AL	BRRZ-OH	BRRW-OH	BRRZ-KO	BRRW-KO
1	BRR – 1200 × 500	146-001	147-001	146-101	147-101	146-201	147-201	161-001	162-001	161-101	162-101
2	BRR – 1200 × 600	146-002	147-002	146-102	147-102	146-202	147-202	161-002	162-002	161-102	162-102
3	BRR – 1600 × 500	146-003	147-003	146-103	147-103	146-203	147-203	161-003	162-003	161-103	162-103
4	BRR – 1600 × 600	146-004	147-004	146-104	147-104	146-204	147-204	161-004	162-004	161-104	162-104
5	BRR – 1600 × 800	146-005	147-005	146-105	147-105	146-205	147-205	161-005	162-005	161-105	162-105
6	BRR – 1800 × 400	146-006	147-006	146-106	147-106	146-206	147-206	161-006	162-006	161-106	162-106
7	BRR – 1800 × 500	146-007	147-007	146-107	147-107	146-207	147-207	161-007	162-007	161-107	162-107
8	BRR – 1800 × 600	146-008	147-008	146-108	147-108	146-208	147-208	161-008	162-008	161-108	162-108
9	BRR – 1800 × 800	146-009	147-009	146-109	147-109	146-209	147-209	161-009	162-009	161-109	162-109
10	BRR – 2000 × 400	146-010	147-010	146-110	147-110	146-210	147-210	161-010	162-010	161-110	162-110
11	BRR – 2000 × 500	146-011	147-011	146-111	147-111	146-211	147-211	161-011	162-011	161-111	162-111
12	BRR – 2000 × 600	146-012	147-012	146-112	147-112	146-212	147-212	161-012	162-012	161-112	162-112
13	BRR – 2000 × 800	146-013	147-013	146-113	147-113	146-213	147-213	161-013	162-013	161-113	162-113
14	BRR – 2200 × 600	146-014	147-014	146-114	147-114	146-214	147-214	161-014	162-014	161-114	162-114
15	BRR – 2200 × 800	146-015	147-015	146-115	147-115	146-215	147-215	161-015	162-015	161-115	162-115



*Internal side cover*



*External side cover*

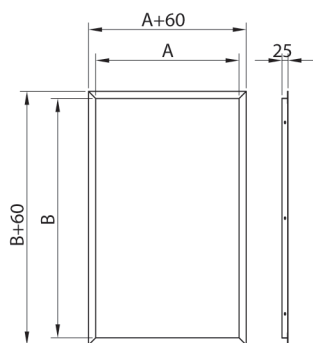
**Scope of delivery:**

1 piece with fastening elements in the package.

**RPT-RWX****- Flush-mounted frame for RWX**

It is used to adapt RWX as a flush-mounted enclosure.  
It is made of 1.2 mm thick steel sheet,  
powder painted on RAL7035\_GS colour.

No.	Description - enclosure dimensions (W × H mm)	Catalogue No.
1	RPT - 350 × 400	212-001
2	RPT - 350 × 600	212-002
3	RPT - 350 × 800	212-003
4	RPT - 350 × 1800	212-004
5	RPT - 350 × 2000	212-005
6	RPT - 550 × 400	212-006
7	RPT - 550 × 600	212-007
8	RPT - 550 × 800	212-008
9	RPT - 550 × 1000	212-009
10	RPT - 550 × 1200	212-010
11	RPT - 550 × 1400	212-011
12	RPT - 550 × 1600	212-012
13	RPT - 550 × 1800	212-013
14	RPT - 550 × 2000	212-014
15	RPT - 750 × 800	212-015
16	RPT - 750 × 1000	212-016
17	RPT - 750 × 1200	212-017
18	RPT - 750 × 1400	212-018
19	RPT - 750 × 1600	212-019
20	RPT - 750 × 1800	212-020
21	RPT - 750 × 2000	212-021
22	RPT - 950 × 1000	212-022
23	RPT - 950 × 1200	212-023
24	RPT - 950 × 1400	212-024
25	RPT - 950 × 1600	212-025
26	RPT - 950 × 1800	212-026
27	RPT - 950 × 2000	212-027
28	RPT - 1150 × 1200	212-028
29	RPT - 1150 × 1400	212-029
30	RPT - 1150 × 1600	212-030
31	RPT - 1150 × 1800	212-031
32	RPT - 1150 × 2000	212-032

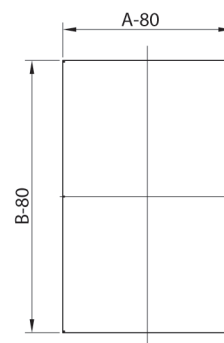


PL - Rear panel for RWX

**PL-RWX****- Rear panel for RWX**

They are made of 0.8 mm thick galvanized steel sheet, powder painted on RAL7035\_GS colour.  
They are mounted by sheet metal screws.

No.	Description - enclosure dimensions (W × H mm)	Catalogue No.
1	PL-RWX - 350 × 400	210-001
2	PL-RWX - 350 × 600	210-002
3	PL-RWX - 350 × 800	210-003
4	PL-RWX - 350 × 1800	210-004
5	PL-RWX - 350 × 2000	210-005
6	PL-RWX - 550 × 400	210-006
7	PL-RWX - 550 × 600	210-007
8	PL-RWX - 550 × 800	210-008
9	PL-RWX - 550 × 1000	210-009
10	PL-RWX - 550 × 1200	210-010
11	PL-RWX - 550 × 1400	210-011
12	PL-RWX - 550 × 1600	210-012
13	PL-RWX - 550 × 1800	210-013
14	PL-RWX - 550 × 2000	210-014
15	PL-RWX - 750 × 800	210-015
16	PL-RWX - 750 × 1000	210-016
17	PL-RWX - 750 × 1200	210-017
18	PL-RWX - 750 × 1400	210-018
19	PL-RWX - 750 × 1600	210-019
20	PL-RWX - 750 × 1800	210-020
21	PL-RWX - 750 × 2000	210-021
22	PL-RWX - 950 × 1000	210-022
23	PL-RWX - 950 × 1200	210-023
24	PL-RWX - 950 × 1400	210-024
25	PL-RWX - 950 × 1600	210-025
26	PL-RWX - 950 × 1800	210-026
27	PL-RWX - 950 × 2000	210-027
28	PL-RWX - 1150 × 1200	210-028
29	PL-RWX - 1150 × 1400	210-029
30	PL-RWX - 1150 × 1600	210-030
31	PL-RWX - 1150 × 1800	210-031
32	PL-RWX - 1150 × 2000	210-032



RPT-RWX - Flush-mounted frame

**Scope of delivery:**

RPT-RWX: 1 piece with fastening elements in the package. · PL-RWX: Rear panel with fastening elements.

**UD-RR****– Roof for Rack Enclosure**

It is used for covering top panel of a row or a single Rack Enclosure (RR). Improves tightness of the enclosure when it consist of a roof ventilation system. Offered in two versions: internal or external. The internal side cover does not increase the overall dimension of the enclosure.

- UD-RR – Roof with roof bushing;
- UD-RRZ – External roof;
- UD-RRW – Internal roof;
- UD-RRZ-OH – Stainless steel 1.4301 (AISI 304) external roof;
- UD-RRW-OH – Stainless steel 1.4301 (AISI 304) internal roof;
- UD-RRZ-KO – Acid-proof steel 1.4404 (AISI 316L) external roof;
- UD-RRW-KO – Acid-proof steel 1.4404 (AISI 316L) internal roof.

No.	Description – enclosure dimensions (W × D mm)	Catalogue No. UD-RRZ	Catalogue No. UD-RRW	Catalogue No. UD-RRZ-OH	Catalogue No. UD-RRW-OH	Catalogue No. UD-RRZ-KO	Catalogue No.y UD-RRW-KO
1	UD-RR – 400 × 400	198-001	198-020	199-001	199-020	199-201	199-220
2	UD-RR – 400 × 500	198-002	198-021	199-002	199-021	199-202	199-221
3	UD-RR – 400 × 600	198-003	198-022	199-003	199-022	199-203	199-222
4	UD-RR – 600 × 400	198-004	198-023	199-004	199-023	199-204	199-223
5	UD-RR – 600 × 500	198-005	198-024	199-005	199-024	199-205	199-224
6	UD-RR – 600 × 600	198-006	198-025	199-006	199-025	199-206	199-225
7	UD-RR – 600 × 800	198-007	198-026	199-007	199-026	199-207	199-226
8	UD-RR – 800 × 400	198-008	198-027	199-008	199-027	199-208	199-227
9	UD-RR – 800 × 500	198-009	198-028	199-009	199-028	199-209	199-228
10	UD-RR – 800 × 600	198-010	198-029	199-010	199-029	199-210	199-229
11	UD-RR – 800 × 800	198-011	198-030	199-011	199-030	199-211	199-230
12	UD-RR – 1000 × 400	198-012	198-031	199-012	199-031	199-212	199-231
13	UD-RR – 1000 × 500	198-013	198-032	199-013	199-032	199-213	199-232
14	UD-RR – 1000 × 600	198-014	198-033	199-014	199-033	199-214	199-233
15	UD-RR – 1000 × 800	198-015	198-034	199-015	199-034	199-215	199-234
16	UD-RR – 1200 × 400	198-016	198-035	199-016	199-035	199-216	199-235
17	UD-RR – 1200 × 500	198-017	198-036	199-017	199-036	199-217	199-236
18	UD-RR – 1200 × 600	198-018	198-037	199-018	199-037	199-218	199-237
19	UD-RR – 1200 × 800	198-019	198-038	199-019	199-038	199-219	199-238

- UD-RRO – Pressed and perforated roof;
- UD-RROZ – External roof;
- UD-RROW – Internal roof;
- UD-RROZ-OH – Stainless steel 1.4301 (AISI 304) external roof;
- UD-RROW-OH – Stainless steel 1.4301 (AISI 304) internal roof;
- UD-RROZ-KO – Acid-proof steel 1.4404 (AISI 316L) external roof;
- UD-RROW-KO – Acid-proof steel 1.4404 (AISI 316L) internal roof.

No.	Description – enclosure dimensions (W × D mm)	Catalogue No. UD-RROZ	Catalogue No. UD-RROW	Catalogue No. UD-RROZ-OH	Catalogue No.y UD-RROW-OH	Catalogue No. UD-RROZ-KO	Catalogue No. UD-RROW-KO
1	UD-RRO – 400 × 400	198-101	198-120	199-101	199-120	199-301	199-320
2	UD-RRO – 400 × 500	198-102	198-121	199-102	199-121	199-302	199-321
3	UD-RRO – 400 × 600	198-103	198-122	199-103	199-122	199-303	199-322
4	UD-RRO – 600 × 400	198-104	198-123	199-104	199-123	199-304	199-323
5	UD-RRO – 600 × 500	198-105	198-124	199-105	199-124	199-305	199-324
6	UD-RRO – 600 × 600	198-106	198-125	199-106	199-125	199-306	199-325
7	UD-RRO – 600 × 800	198-107	198-126	199-107	199-126	199-307	199-326
8	UD-RRO – 800 × 400	198-108	198-127	199-108	199-127	199-308	199-327
9	UD-RRO – 800 × 500	198-109	198-128	199-109	199-128	199-309	199-328
10	UD-RRO – 800 × 600	198-110	198-129	199-110	199-129	199-310	199-329
11	UD-RRO – 800 × 800	198-111	198-130	199-111	199-130	199-311	199-330
12	UD-RRO – 1000 × 400	198-112	198-131	199-112	199-131	199-312	199-331
13	UD-RRO – 1000 × 500	198-113	198-132	199-113	199-132	199-313	199-332
14	UD-RRO – 1000 × 600	198-114	198-133	199-114	199-133	199-314	199-333
15	UD-RRO – 1000 × 800	198-115	198-134	199-115	199-134	199-315	199-334
16	UD-RRO – 1200 × 400	198-116	198-135	199-116	199-135	199-316	199-335
17	UD-RRO – 1200 × 500	198-117	198-136	199-117	199-136	199-317	199-336
18	UD-RRO – 1200 × 600	198-118	198-137	199-118	199-137	199-318	199-337
19	UD-RRO – 1200 × 800	198-119	198-138	199-119	199-138	199-319	199-338

Scope of delivery:  
1 piece with fastening elements in the package.

**UD-RR****– Roof for Rack Enclosure**

It is used for covering top plate of Rack Enclosure. Improves tightness of enclosure when used with roof ventilation system. Offered in the asymmetrical left and right versions. Asymmetrical roof increases the overall dimensions of the enclosure on one side.

- UD-RR-AS – Asymmetrical roof with roof bushing;
- UD-RR-ASL – Asymmetrical roof, left version;
- UD-RR-ASP – Asymmetrical roof, right version;
- UD-RR-ASL-OH – Stainless steel 1.4301 (AISI 304) asymmetrical roof, left version;
- UD-RR-ASP-OH – Stainless steel 1.4301 (AISI 304) asymmetrical roof, right version;
- UD-RR-ASL-KO – Acid-proof steel 1.4404 (AISI 316L) asymmetrical roof, left version;
- UD-RR-ASP-KO – Acid-proof steel 1.4404 (AISI 316L) asymmetrical roof, right version.

No.	Description – enclosure dimensions (W × D mm)	Catalogue No. UD-RR-ASL	Catalogue No. UD-RR-ASP	Catalogue No. UD-RR-ASL-OH	Catalogue No. UD-RR-ASP-OH	Catalogue No. UD-RR-ASL-KO	Catalogue No. UD-RR-ASP-KO
1	UD-RR-AS – 400 × 400	198-501	198-520	199-501	199-520	199-701	199-720
2	UD-RR-AS – 400 × 500	198-502	198-521	199-502	199-521	199-702	199-721
3	UD-RR-AS – 400 × 600	198-503	198-522	199-503	199-522	199-703	199-722
4	UD-RR-AS – 600 × 400	198-504	198-523	199-504	199-523	199-704	199-723
5	UD-RR-AS – 600 × 500	198-505	198-524	199-505	199-524	199-705	199-724
6	UD-RR-AS – 600 × 600	198-506	198-525	199-506	199-525	199-706	199-725
7	UD-RR-AS – 600 × 800	198-507	198-526	199-507	199-526	199-707	199-726
8	UD-RR-AS – 800 × 400	198-508	198-527	199-508	199-527	199-708	199-727
9	UD-RR-AS – 800 × 500	198-509	198-528	199-509	199-528	199-709	199-728
10	UD-RR-AS – 800 × 600	198-510	198-529	199-510	199-529	199-710	199-729
11	UD-RR-AS – 800 × 800	198-511	198-530	199-511	199-530	199-711	199-730
12	UD-RR-AS – 1000 × 400	198-512	198-531	199-512	199-531	199-712	199-731
13	UD-RR-AS – 1000 × 500	198-513	198-532	199-513	199-532	199-713	199-732
14	UD-RR-AS – 1000 × 600	198-514	198-533	199-514	199-533	199-714	199-733
15	UD-RR-AS – 1000 × 800	198-515	198-534	199-515	199-534	199-715	199-734
16	UD-RR-AS – 1200 × 400	198-516	198-535	199-516	199-535	199-716	199-735
17	UD-RR-AS – 1200 × 500	198-517	198-536	199-517	199-536	199-717	199-736
18	UD-RR-AS – 1200 × 600	198-518	198-537	199-518	199-537	199-718	199-737
19	UD-RR-AS – 1200 × 800	198-519	198-538	199-519	199-538	199-719	199-738

- UD-RRO-AS – Pressed and perforated asymmetrical roof;
- UD-RRO-ASL – Asymmetrical roof, left version;
- UD-RRO-ASP – Asymmetrical roof, right version;
- UD-RRO-ASL-OH – Stainless steel 1.4301 (AISI 304) asymmetrical roof, left version;
- UD-RRO-ASP-OH – Stainless steel 1.4301 (AISI 304) asymmetrical roof, right version;
- UD-RRO-ASL-KO – Acid-proof steel 1.4404 (AISI 316L) asymmetrical roof, left version;
- UD-RRO-ASP-KO – Acid-proof steel 1.4404 (AISI 316L) asymmetrical roof, right version.

No.	Description – enclosure dimensions (W × D mm)	Catalogue No. UD-RRO-ASL	Catalogue No. UD-RRO-ASP	Catalogue No. UD-RRO-ASL-OH	Catalogue No. UD-RRO-ASP-OH	Catalogue No. UD-RRO-ASL-KO	Catalogue No. UD-RRO-ASP-KO
1	UD-RRO-AS – 400 × 400	198-601	198-620	199-601	199-620	199-801	199-820
2	UD-RRO-AS – 400 × 500	198-602	198-621	199-602	199-621	199-802	199-821
3	UD-RRO-AS – 400 × 600	198-603	198-622	199-603	199-622	199-803	199-822
4	UD-RRO-AS – 600 × 400	198-604	198-623	199-604	199-623	199-804	199-823
5	UD-RRO-AS – 600 × 500	198-605	198-624	199-605	199-624	199-805	199-824
6	UD-RRO-AS – 600 × 600	198-606	198-625	199-606	199-625	199-806	199-825
7	UD-RRO-AS – 600 × 800	198-607	198-626	199-607	199-626	199-807	199-826
8	UD-RRO-AS – 800 × 400	198-608	198-627	199-608	199-627	199-808	199-827
9	UD-RRO-AS – 800 × 500	198-609	198-628	199-609	199-628	199-809	199-828
10	UD-RRO-AS – 800 × 600	198-610	198-629	199-610	199-629	199-810	199-829
11	UD-RRO-AS – 800 × 800	198-611	198-630	199-611	199-630	199-811	199-830
12	UD-RRO-AS – 1000 × 400	198-612	198-631	199-612	199-631	199-812	199-831
13	UD-RRO-AS – 1000 × 500	198-613	198-632	199-613	199-632	199-813	199-832
14	UD-RRO-AS – 1000 × 600	198-614	198-633	199-614	199-633	199-814	199-833
15	UD-RRO-AS – 1000 × 800	198-615	198-634	199-615	199-634	199-815	199-834
16	UD-RRO-AS – 1200 × 400	198-616	198-635	199-616	199-635	199-816	199-835
17	UD-RRO-AS – 1200 × 500	198-617	198-636	199-617	199-636	199-817	199-836
18	UD-RRO-AS – 1200 × 600	198-618	198-637	199-618	199-637	199-818	199-837
19	UD-RRO-AS – 1200 × 800	198-619	198-638	199-619	199-638	199-819	199-838

Scope of delivery:  
1 piece with fastening elements in the package.



Full blank cover



Perforated blank cover



Adjustable blank cover with polyurethane gasket



Blank cover with nonwoven fabric

### Blank cover for top or bottom panel for STL enclosures

It is used for covering top or bottom plate according to the wanted configuration. There is an option of covering with full blank cover or perforated / adjustable with polyurethane gasket / with nonwoven fabric / with brush opening.

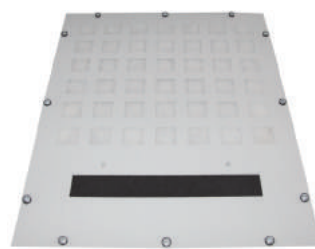
A blank cover is made of 1.2 mm thick steel sheet. The blank cover for STL is powder painted on RAL7035\_GS and for STL-SE on RAL9005\_DS colour.

### Blank cover for top or bottom panel for STL

No.	Description – enclosure dimensions (W × D mm)	Catalogue No.
1	Full blank cover – 800 × 1000	496-001
2	Full blank cover – 800 × 800	496-002
3	Full blank cover – 800 × 600	496-003
4	Full blank cover – 600 × 1000	496-004
5	Full blank cover – 600 × 800	496-005
6	Full blank cover – 600 × 600	496-006
7	Perforated blank cover – 800 × 1000	496-007
8	Perforated blank cover – 800 × 800	496-008
9	Perforated blank cover – 800 × 600	496-009
10	Perforated blank cover – 600 × 1000	496-010
11	Perforated blank cover – 600 × 800	496-011
12	Perforated blank cover – 600 × 600	496-012
13	Adjustable blank cover with polyurethane gasket – 800 × 1000	496-013
14	Adjustable blank cover with polyurethane gasket – 800 × 800	496-014
15	Adjustable blank cover with polyurethane gasket – 800 × 600	496-015
16	Adjustable blank cover with polyurethane gasket – 600 × 1000	496-016
17	Adjustable blank cover with polyurethane gasket – 600 × 800	496-017
18	Adjustable blank cover with polyurethane gasket – 600 × 600	496-018
19	Blank cover with nonwoven fabric – 800 × 1000	496-019
20	Blank cover with nonwoven fabric – 800 × 800	496-020
21	Blank cover with nonwoven fabric – 800 × 600	496-021
22	Blank cover with nonwoven fabric – 600 × 1000	496-022
23	Blank cover with nonwoven fabric – 600 × 800	496-023
24	Blank cover with nonwoven fabric – 600 × 600	496-024
25	Blank cover with nonwoven fabric and brush opening – 800 × 1000	496-025
26	Blank cover with nonwoven fabric and brush opening – 800 × 800	496-026
27	Blank cover with nonwoven fabric and brush opening – 800 × 600	496-027
28	Blank cover with nonwoven fabric and brush opening – 600 × 1000	496-028
29	Blank cover with nonwoven fabric and brush opening – 600 × 800	496-029
30	Blank cover with nonwoven fabric and brush opening – 600 × 600	496-030
31	Blank cover with brush opening – 800 × 1000	496-031
32	Blank cover with brush opening – 800 × 800	496-032
33	Blank cover with brush opening – 800 × 600	496-033
34	Blank cover with brush opening – 600 × 1000	496-034
35	Blank cover with brush opening – 600 × 800	496-035
36	Blank cover with brush opening – 600 × 600	496-036

## Blank cover for top or bottom panel for STL-SE

No.	Description – enclosure dimensions (W × D mm)	Catalogue No.
1	Full blank covera – 800 × 1200	496-037
2	Full blank cover – 800 × 1000	496-038
3	Full blank cover – 600 × 1200	496-039
4	Full blank cover – 600 × 1000	496-040
5	Perforated blank cover – 800 × 1200	496-041
6	Perforated blank cover – 800 × 1000	496-042
7	Perforated blank cover – 600 × 1200	496-043
8	Perforated blank cover – 600 × 1000	496-044
9	Adjustable blank cover with polyurethane gasket – 800 × 1200	496-045
10	Adjustable blank cover with polyurethane gasket – 800 × 1000	496-046
11	Adjustable blank cover with polyurethane gasket – 600 × 1200	496-047
12	Adjustable blank cover with polyurethane gasket – 600 × 1000	496-048
13	Blank cover with nonwoven fabric – 800 × 1200	496-049
14	Blank cover with nonwoven fabric – 800 × 1000	496-050
15	Blank cover with nonwoven fabric – 600 × 1200	496-051
16	Blank cover with nonwoven fabric – 600 × 1000	496-052
17	Blank cover with nonwoven fabric and brush opening – 800 × 1200	496-053
18	Blank cover with nonwoven fabric and brush opening – 800 × 1000	496-054
19	Blank cover with nonwoven fabric and brush opening. – 600 × 1200	496-055
20	Blank cover with nonwoven fabric and brush opening – 600 × 1000	496-056
21	Blank cover with brush opening – 800 × 1200	496-057
22	Blank cover with brush opening – 800 × 1000	496-058
23	Blank cover with brush opening – 600 × 1200	496-059
24	Blank cover with brush opening – 600 × 1000	496-060



Blank cover with nonwoven fabric and brush opening



Blank cover with brush opening

## Roof for STL

It is used for covering top plate of STL enclosure, mounted by four roof bushings.

Made of 1.2 mm thick steel sheet. The roof for STL is powder painted on RAL7035\_GS and for STL-SE on RAL9005\_DS colour.

## Roof for STL

No.	Description – enclosure dimensions (W × D mm)	Catalogue No.
1	Basic roof – 800 × 1000	498-001
2	Basic roof – 800 × 800	498-002
3	Basic roof – 800 × 600	498-003
4	Basic roof – 600 × 1000	498-004
5	Basic roof – 600 × 800	498-005
6	Basic roof – 600 × 600	498-006
7	Roof with brush opening – 800 × 1000	498-007
8	Roof with brush opening – 800 × 800	498-008
9	Roof with brush opening – 800 × 600	498-009
10	Roof with brush opening – 600 × 1000	498-010
11	Roof with brush opening – 600 × 800	498-011
12	Roof with brush opening – 600 × 600	498-012
13	Roof with gland plate – 800 × 1000	498-013
14	Roof with gland plate – 800 × 800	498-014
15	Roof with gland plate – 800 × 600	498-015
16	Roof with gland plate – 600 × 1000	498-016
17	Roof with gland plate – 600 × 800	498-017
18	Roof with gland plate – 600 × 600	498-018



Basic roof



Roof with brush opening



Roof with gland plate



Full side cover



Perforated side cover



Side cover with brush opening



Levelling foot

Roof for STL-SE

No.	Description – enclosure dimensions (W × D mm)	Catalogue No.
1	Basic roof – 800 × 1200	498-019
2	Basic roof – 800 × 1000	498-020
3	Basic roof – 600 × 1200	498-021
4	Basic roof – 600 × 1000	498-022
5	Roof with brush opening – 800 × 1200	498-023
6	Roof with brush opening – 800 × 1000	498-024
7	Roof with brush opening – 600 × 1200	498-025
8	Roof with brush opening – 600 × 1000	498-026
9	Roof with gland plate – 800 × 1200	498-027
10	Roof with gland plate – 800 × 1000	498-028
11	Roof with gland plate – 600 × 1200	498-029
12	Roof with gland plate – 600 × 1000	498-030

OBSTL

– Side covers for plinths for IT enclosures

The offer of side covers for plinths includes two heights of 100 and 200 mm, in three versions:

- full side cover,
- perforated side cover,
- side cover with brush opening.

Made of 1.5 mm thick galvanized steel sheet, powder painted on RAL7035\_GS colour.

No.	Description - dimensions (W of the side cover / W of the plinth side; mm)	Catalogue No. height of 100 mm	Catalogue No. height of 200 mm
1	Full side cover 1000 / 1200	415-101	416-101
2	Full side cover 800 / 1000	415-001	416-001
3	Full side cover 600 / 800	415-002	416-002
4	Full side cover 400 / 600	415-003	416-003
5	Perforated side cover 1000 / 1200	415-102	416-102
6	Perforated side cover 800 / 1000	415-004	416-004
7	Perforated side cover 600 / 800	415-005	416-005
8	Perforated side cover 400 / 600	415-006	416-006
9	Side cover with brush opening 1000 / 1200	415-103	416-103
10	Side cover with brush opening 800 / 1000	415-007	416-007
11	Side cover with brush opening 600 / 800	415-008	416-008
12	Side cover with brush opening 400 / 600	415-009	416-009

Levelling foot

It is used to adjust the height of the enclosure. Adjustable under static load of 200 kg per foot, by flat 19 mm wrench or a simple screwdriver while maintaining the movable base. Base with a diameter of 38 mm made of plastic, equipped with a M10 × 40 screw.

No.	Description	Catalogue No.
1	Levelling foot – M10 × 40	5-900-011

Scope of delivery:  
1 piece with fastening elements in the package.



### Swivel Casters

They are used to increase the mobility of enclosures.  
Made of polyamide with high resistance to abrasion and chemical compounds.

No.	Description	Catalogue No.
1	Swivel caster with break	416-098
2	Swivel caster without break	416-099



Swivel casters

### FZ

#### - Reinforced concrete foundation

It is used for placing the enclosure outside, while maintaining the stability and durability of the device. The foundations are made of reinforced, vibropressed, compacted precast of B-17.5 class concrete. It consists of five to ten elements: front plates, side plates and feet.

It is used as a foundation in power and gas installations for low-voltage switchgears used for the construction and modernization of industrial and residential facilities, holiday resorts etc.

No.	Description – Foundation dimensions (W × D mm)	Catalogue No. unpainted	Catalogue No. painted
1	FZ – 400 × 250	5.FZ4025	5.FZ4025M
2	FZ – 500 × 250	5.FZ5025	5.FZ5025M
3	FZ – 600 × 250	5.FZ6025	5.FZ6025M
4	FZ – 800 × 250	5.FZ8025	5.FZ8025M
5	FZ – 850 × 250	5.FZ8525	5.FZ8525M
6	FZ – 1000 × 250	5.FZ1025	5.FZ1025M
7	FZ – 400 × 400	5.FZ4040	5.FZ4040M
8	FZ – 500 × 400	5.FZ5040	5.FZ5040M
9	FZ – 600 × 400	5.FZ6040	5.FZ6040M
10	FZ – 800 × 400	5.FZ8040	5.FZ8040M
11	FZ – 850 × 400	5.FZ8540	5.FZ8540M
12	FZ – 1000 × 400	5.FZ1040	5.FZ1040M
13	FZ – 1250 × 400	5.FZ1254	5.FZ1041M



FZ – Reinforced concrete foundation

### PDN-3-19"

#### - Power distribution panel

It is used for built-in of modular apparatus.  
Made of 1.5 mm thick steel sheet, powder painted on RAL7035\_GS.

PDN-3 consist of:

- back panel equipped with TS-35 rail,
- front panel with opening (432 × 46) for 24 modules.

Dimensions of PDN-3:

- width – 19" (internal width 440 mm),
- height – 3U (133 mm),
- depth – 60 mm.

No.	Description	Catalogue No.
1	PDN-3-19" – 3U	486-001



PDN-3-19" – Power distribution panel

Scope of delivery:  
Swivel Casters and PDN: 1 piece with fastening elements in the package. • FZ: Foundation for self assembly, with mounting elements and standardised parts.



UN-1 – Wall brackets for RSA, SZA



UN-SPAW – Welded wall brackets



UN-2 – Wall brackets for RSB



UN-3 – Wall brackets for SZA, SZB, SZC

### UN-1

#### – Wall brackets for RSA, SZA, OZ

Wall brackets are mounted to the openings in the rear panel of the enclosure in a vertical or horizontal position. After mounting they adhere both to the wall and the enclosure. Wall brackets contain threaded studs M8 × 20. A set consisting of 4 wall brackets is necessary to hang the enclosure.

No.	Description	Catalogue No.
1	UN-1-ZN – Wall brackets made of galvanized steel sheet	911-012
2	UN-1-OH – Wall brackets made of stainless steel 1.4301 (AISI 304)	911-027
3	UN-1-KO – Wall brackets made of acid-proof steel 1.4404 (AISI 316L)	918-057

### UN-SPAW

#### – Welded wall brackets

They are used to mount the enclosure on the wall. They provide maximum tightness and load capacity. Must be ordered together with the enclosure. They are made of 6 × 30 steel flat bar.

No.	Description	Catalogue No.
1	UN-SPAW-ST – Wall brackets made of steel sheet	918-058
2	UN-SPAW-OH – Wall brackets made of stainless steel 1.4301 (AISI 304)	918-059
3	UN-SPAW-KO – Wall brackets made of acid-proof steel 1.4404 (AISI 316L)	918-060

### UN-2

#### – Wall brackets for RSB

The wall brackets are mounted to the openings in top and bottom panel of the enclosure in a vertical position. After mounting to the enclosure they adhere to the wall. The brackets have four M10 × 20 screws and a set of standardised parts. For hanging the enclosure a set consisting of 4 wall brackets is necessary.

No.	Description	Catalogue No.
1	UN-2-ZN – Wall brackets made of galvanized steel sheet	918-050
2	UN-2-OH – Wall brackets made of stainless steel 1.4301 (AISI 304)	918-054
3	UN-2-KO – Wall brackets made of acid-proof steel 1.4404 (AISI 316L)	918-061

### UN-3

#### – Wall brackets for SZA, SZB, SZC

The wall brackets are mounted to the openings in the rear panel of the enclosure in a vertical position. After mounting to the enclosure they are spaced from the wall. The brackets have four M8 × 20 screws and a set of standardised parts. For hanging the enclosure a set consisting of 4 wall brackets is necessary.

No.	Description	Catalogue No.
1	UN-3-ZN – Wall brackets made of galvanized steel sheet	918-051
2	UN-3-OH – Wall brackets made of stainless steel 1.4301 (AISI 304)	918-055
3	UN-3-KO – Wall brackets made of acid-proof steel 1.4404 (AISI 316L)	918-062

Scope of delivery: UN-1, UN-2 and UN-3: 1 piece with standardised parts in the package. · UN-SPAW: 4 pcs of wall holders welded to the ordered enclosure.

## UT

### - Transport handle

It is screwed into the roof / top plate of the enclosure. It has a  $\Phi$  38 hole for hanging and M10 thread.

No.	Description	Catalogue No.
1	UT-1-ZN - single handle made of galvanized steel	918-052
2	UT-1-OH - single handle made of stainless steel 1.4301 (AISI 304)	911-026
3	UT-2-ZN - double handle made of galvanized steel	918-053
4	UT-2-OH - double handle made of stainless steel 1.4301 (AISI 304)	918-056



UT - Transport handle

## UM-1 - Mast holders

### for RSA, SZA, RSC, SZC, ZK

It is used for reliable and strong fastening of external enclosures on round or square masts. For masts with 50 to 200 mm diameter or 50 to 160 mm cross section. Made of galvanized steel sheet flat bar.

No.	Description - Enclosure dimensions (W mm)	Catalogue No.
1	UM-1 - 400	912-053
2	UM-1 - 600	912-054
3	UM-1 - 800	912-055



UM-1 - Mast holder

## Additional bracket for mounting the Mounting Plate for RR

It is used for additional support of mounting plate and to reduce vibrations arising from operation of enclosure exposed to dynamic loads generated for example when mounted on a machine or ship. Back bracket WTP-1 is mounted on the minimal possible depth of mounting plate. Side Bracket WBP-1 is mounted on Side Transverse Channel Bar (p. 109). Made of 2 mm thick galvanized steel sheet.

- WTP-1 - Back bracket for mounting plate of RR;
- WBP-1 - Side bracket for mounting plate of RR.

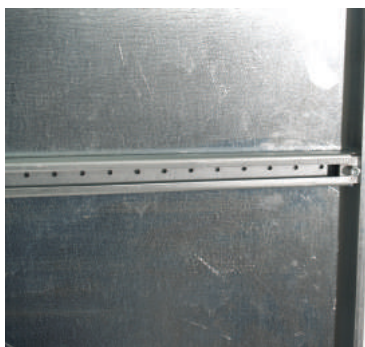
No.	Description	Catalogue No.
1	WTP-1	912-056
2	WBP-1	912-057



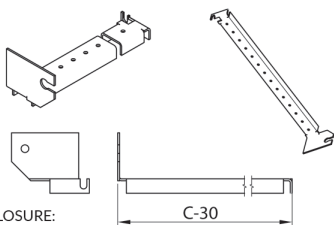
Additional bracket for mounting the Mounting Plate

### Scope of delivery:

UT-1: 2 pcs with standardised parts. · UT-2: 1 pc with standardised parts.  
 UM-1: 2 profiled rails with clamping elements and a set of standardised parts.  
 Additional bracket for mounting the Mounting Plate: pair of brackets together with fixing elements.



UPB - Mounting plate reinforcement

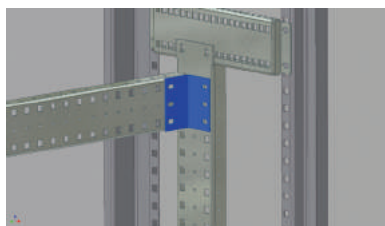


FOR 1 ENCLOSURE:  
2 pcs LEFT + 2 pcs RIGHT

WRG - Depth adjustment bracket



WSRB - 19" Extension Arm for RSB, SZB, RR



KWR-1 - Reinforcing angle bar for RR

**UPB - Mounting plate reinforcement for RSB, SZB, RR**

It is used as an additional protection against deformation of the mounting plate with heavy or dynamic loads.  
Made of 2 mm thick galvanized steel sheet.

No.	Description - enclosure dimension (W mm)	Catalogue No.
1	UPB - 400	912-058
2	UPB - 600	912-059
3	UPB - 800	912-060
4	UPB - 1000	912-061
5	UPB - 1200	912-062
6	UPB - 1600	912-063

**WRG - Depth adjustment bracket for RSA, SZA**

It is used to increase the universality of mounting equipment inside the RSA and SZA enclosure. Before the final choice of the mounting depth of the additional elements, the brackets need to be drilled with M5 threaded holes.

Made of 2 mm thick galvanized steel sheet or stainless steel.

- WRG-ZN - Depth adjustment bracket made of galvanized steel sheet;
- WRG-OH - Depth adjustment bracket made of stainless steel 1.4301 (AISI 304).

No.	Description - enclosure dimension (D mm)	Catalogue No. WRG-ZN	Catalogue No. WRG-OH
1	WRG - 210	911-013	901-001
2	WRG - 250	911-014	901-002
3	WRG - 300	911-015	901-003
4	WRG - 400	911-017	901-004

**WSRB - 19" Extension Arm for RSB, SZB, RR**

It is used for mounting 19" vertical beams to the enclosures with 800 mm width.

Made of 2 mm thick galvanized steel sheet.

No.	Description	Catalogue No.
1	WSRB-19	153-001

**KWR-1 - Reinforcing angle bar for RR**

It is used to reinforce the rack system.  
Made of 2 mm thick galvanized steel sheet.

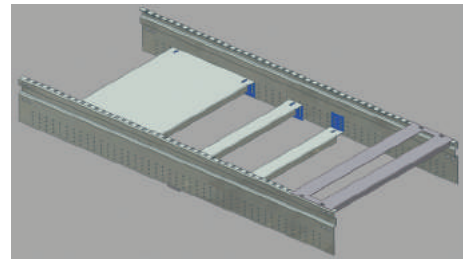
No.	Description	Catalogue No.
1	KWR-1	159-001

Scope of delivery: UPB: 2 profiles, 4 terminal blocks with M10 threaded bolts in the package. • WRG: A set (4 pieces) with mounting elements.  
WSRB: 1 piece with fastening elements in the package. • KWR-1: 1 piece without fastening elements in the package.

## SPR

### - Vertical rack

It is used for mounting modular and electric apparatus on various depths. It is perforated on its height with  $9,2 \times 9,2$  mm holes with 25 mm spacing. Mounting of universal mounting plates is done by using angle bars for vertical rack - KSP.



SPR - Vertical rack

#### SPRB - Vertical rack for RSB, SZB

No.	Description - enclosure dimension (H mm)	Catalogue No. depth 150 mm	Catalogue No. depth 300 mm
1	SPRB - 800	151-101	151-201
2	SPRB - 1000	151-102	151-202
3	SPRB - 1200	151-103	151-203
4	SPRB - 1400	151-104	151-204
5	SPRB - 1600	151-105	151-205
6	SPRB - 1800	151-106	151-206
7	SPRB - 2000	151-107	151-207

#### SPRR - Vertical rack for RR

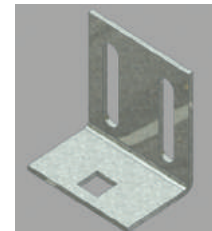
No.	Description - enclosure dimension (H mm)	Catalogue No. depth 150 mm	Catalogue No. depth 300 mm
1	SPRR - 1200	151-108	151-208
3	SPRR - 1600	151-109	151-209
4	SPRR - 1800	151-110	151-210
5	SPRR - 2000	151-111	151-211
6	SPRR - 2200	151-112	151-212

## KSP

### - Mounting angle bar for SPR

It is used for attaching universal mounting plates and mounting rails on SPR - vertical rack.

No.	Description	Catalogue No.
1	KSP	151-100



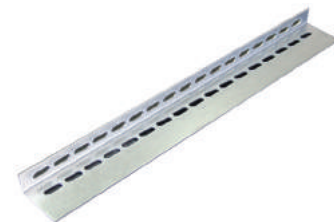
KSP - Mounting angle bar for SPR

## KSTL

### - Mounting angle bar for STL

It is used to support heavy devices in IT enclosures. Mounted to the front and rear bearing beams in a horizontal position. Made of 2 mm thick galvanized steel sheet.

No.	Description - angle bar dimension (D mm)	Catalogue No.
1	KSTL - 850	407-101
2	KSTL - 750	407-102
3	KSTL - 650	407-103
4	KSTL - 550	407-104
5	KSTL - 450	407-105
6	KSTL - 350	407-106
7	KSTL - 250	407-107

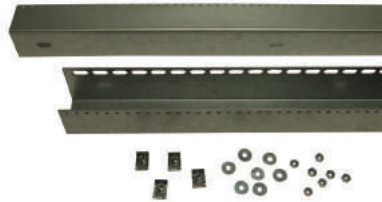


KSTL - Mounting angle bar for STL

Scope of delivery: SPR: 1 pair with fastening elements in the package. Mounting angle bars must be ordered separately.  
KSP: 2 pieces with fastening elements in the package. · KSTL: 2 pieces (left + right) without fastening elements in the package.



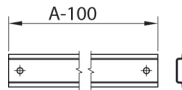
WG-RWX - Depth adjustment bracket



CN-RWX - Bearing Channel Bar



ZC-RWX - Clip



DIN Rail TS-35 for RWX

### WRG-RWX

#### - Depth adjustment bracket for RWX

It is used for mounting apparatus with deeper dimensions. It is mounted to the bearing channel bar CN-RWX.

Made of 1.5 mm thick galvanized steel sheet.

No.	Description - bracket dimension (W mm)	Catalogue No.
1	WRG-RWX - 150	214-001
2	WRG-RWX - 300	214-002

### CN-RWX

#### - Bearing Channel Bar for RWX

It is used for mounting mechanical elements such as : TSL Rails, Masking Covers, Depth Adjustment Brackets.

Made of 1.5 mm thick galvanized steel sheet.

No.	Description - enclosure dimension (H mm)	Catalogue No.
1	CN - 400	209-001
2	CN - 600	209-002
3	CN - 800	209-003
4	CN - 1000	209-004
5	CN - 1200	209-005
6	CN - 1400	209-006
7	CN - 1600	209-007
8	CN - 1800	209-008
9	CN - 2000	209-009

### ZC-RWX

#### - Clip for RWX

Easy in mounting clip, fitted to depth adjustment bracket - WGR-RWX. It is used for mounting of elements such as universal mounting plates or TS-35 rails or other elements.

No.	Description	Catalogue No.
1	ZC-RWx	215-001

### DIN Rail TS-35 for RWX

It is used for the assembly of modular apparatus.

It is made of 1 mm thick galvanized flat bar.

For mounting rails in wide enclosures, use TS-35 rail with reinforcing strip (p. 106).

No.	Description - dimension (W mm)	Catalogue No.
1	TS-35 - 175	922-006
2	TS-35 - 220	922-007
3	TS-35 - 245	922-008
4	TS-35 - 262	922-009
5	TS-35 - 952	922-010

#### Scope of delivery:

WRG-RWX, CN-RWX and ZC-RWX: 2 pieces with fastening elements in the package.

TS-35: 1 piece with fastening elements in the package.

**WSP-01**
**- Limit-switch bracket for cable enclosures**

It is used for mounting a limit-switch on joint of door and body of enclosure.

No.	Description - Enclosure type	Catalogue No.
1	WSP-01 - Z1/Z2	325-001
2	WSP-01 - ZDA	325-002



WSP-01

**WSP-02**
**- Lighting bracket for cable enclosures**

It is used for mounting lighting inside of a cable enclosure.

No.	Description - Enclosure type	Catalogue No.
1	WSP-02 - Z1/Z2	326-001
2	WSP-02 - ZDA	326-002



WSP-02

**DT-01**
**- Rain hood for technical supervision socket for cable enclosures**

It is used for additional protection of technical supervision socket. Made of 2 mm thick aluminum, powder painted on RAL7035\_GS.

No.	Description	Catalogue No.
1	DT-01	327-001



DT-01

**BN-01**
**- Horizontal bearing beam for cable enclosures**

It is used for fixing, for example bundles of wires or elements of the electrical apparatus.

No.	Description - Enclosure type	Catalogue No. steel sheet	Catalogue No. aluminum
1	BN-01 - Z1/Z2	328-001	329-001
2	BN-01 - ZDA	328-002	329-002



BN-01

**BN-02**
**- Vertical bearing beam for cable enclosures**

It is used for attaching electrotechnical equipment to the entire height of the enclosure. The beam is full-length perforated.

No.	Description - Enclosure type	Catalogue No.
1	BN-02 - Z1/Z2	330-001
2	BN-02 - ZDA	330-002



BN-02

**Scope of delivery:**

1 piece with fastening elements in the package.



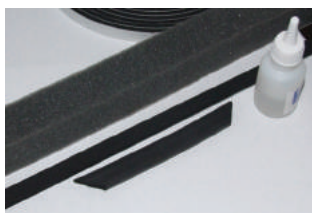
Cage nuts with standardized parts



M6 Nuts



Connection kit for RR



Seals



Protection for security seals

### Cage nuts

Are used for mounting equipment to the bearing beams.

No.	Description	Catalogue No.
1	M6 cage nuts with screws and washers	5-900-009
2	M6 cage nuts	5-900-010

### M6 Nuts

Are used for easy mounting of elements on the perforated vertical bearing angle bar inside the ZK enclosure. It consist of a threaded sleeve for M6 screw.

No.	Description	Catalogue No.
1	M6 Nuts	913-050

### Connection kit for RR

It is used for buying the Rack Enclosures. The kit consist of standardised parts and self-adhesive gasket to ensure the tightness.

No.	Description	Catalogue No.
1	Connection kit for RR	5-900-061

### Seals

They are used for sealing doors, covers, connections between enclosures etc. The offer includes rubber gaskets glue adhesive and self-adhesive seals.

No.	Description	Catalogue No.
1	Solid porous gasket 15 × 7	5-900-071
2	Edge gasket T-25	5-900-072
3	Glue for painted surface	5-900-073
4	Glue for stainless steel surface	5-900-074
5	Self-adhesive polyurethane gasket 9 × 3	5-900-075
6	Self-adhesive polyurethane gasket 15 × 5	5-900-076
7	Self-adhesive polyurethane foam 35 × 40	5-900-077

### Protection for security seals

It allows for sealing of devices if necessary. Made of plastic.

No.	Description	Catalogue No.
1	Protection for security seals	5-900-013

Scope of delivery: Cage nuts: 10 pieces in the package. · Connection kit: 1 piece in the package.  
Seals: sold by the linear metre. · Protection for security seals: 10 pieces in the package.



### Modular blank cover

It is used for masking unused space in modular cover.  
Made of plastic; for 5 modular spaces with an option of shortening.

No.	Description	Catalogue No.
1	A-5 Modular blank cover	5-900-014



Modular blank cover

### PA Handle

It is used for fixing in service panels in all types of enclosures.  
Made of plastic (polyamide GF30) in black colour.

No.	Description	Catalogue No.
1	PA Handle – 142 × 40	5-900-020



PA Handle

### Document pocket

It is used for storing any kind of documentation. It can be used in all kinds of enclosures. Mounted to the enclosure by adhesive tape.  
Made of plastic in RAL7035 colour.

No.	Description	Catalogue No.
1	A4 Document pocket	5-900-001



Document pocket

### TL – Meter board

It is used for mounting electricity meter counters.

No.	Description	Catalogue No.
1	TL-3F – 3 Phase Meter Board – 400V, 63A	922-001
2	TL-1F – Single Phase Meter Board – 250V, 25A	922-002



TL - Meter board

### Spray

It is used for renovation and repair of painted surfaces. Available in two colours (RAL7032 and RAL7035), other colours are available upon the request. Packaging capacity – 300 ml

No.	Description	Catalogue No.
1	Spray RAL7032	5-900-003
2	Spray RAL7035	5-900-004



Spray

Scope of delivery: Modular cover; PA Handle; Document pocket; TL: 1 piece with mounting elements in the package.  
Spray: 1 piece in the package.



Spot repair paint



Paintbrush



KN-1 – Door roller



PWB-19" – 19" beams fan tray

### Spot repair paint

Is used for small repairs of painted surfaces. Available in two colours (RAL7032 and RAL7035), other colours are available upon the request. Packaging capacity – 100 ml.

No.	Description	Catalogue No.
1	Spot repair paint RAL7032	5-900-005
2	Spot repair paint RAL7035	5-900-006

### Paintbrush

It is used for small spot paints repairs.

No.	Description	Catalogue No.
1	Spot repair paintbrush	5-900-007

### KN-1

#### – Door roller

It is used when lifting of the door with heavy control and measurement equipment is necessary. It is mounted to the perforated stiffening frame.

No.	Description	Catalogue No.
1	KN-1 – Door roller	5-900-058

### PWB-19" – 19" beams fan tray for IT enclosures

Suitable for mounting on 19" bearing beams in IT enclosures.

A standard panel is equipped with:

- ventilators with ball bearing fans,
- ventilation covers,
- fuse,
- turn-off switch.

Offered with or without thermostat, which regulates the temperature in range from 0 to 60°C.

Made of 1.5 mm thick steel sheet, powder painted on RAL7035\_GS.

Power supply: 230 V AC 50/60 Hz.

Noise level: from 45 to 50 dB.

No.	Description -- Efficiency	Catalogue No. without thermostat	Catalogue No. with thermostat
1	PWB-2 – 360 m <sup>3</sup> /h	482-001	483-001
2	PWB-3 – 540 m <sup>3</sup> /h	482-002	483-002
3	PWB-4 – 720 m <sup>3</sup> /h	482-003	483-003
4	PWB-6 – 1080 m <sup>3</sup> /h	482-004	483-004

#### Scope of delivery:

Spot repair paint and paintbrush: 1 piece in the package.

KN-1: 1 piece with fastening elements in the package.

PWB-19": 1 piece with or without thermostat in accordance to the selected option, including the power cable (2 m) and fixing elements in the package.

## PWD – Roof fan tray for IT enclosures

Suitable for mounting in the bottom or top plate and roof with gland plate in STL and STL-SE enclosures. Fits into the opening with dimensions 380 × 380 mm.

A standard panel is equipped with:

- ventilators with ball bearing fans,
- ventilation covers,
- fuse,
- turn-off switch.

Offered with or without thermostat, which regulates the temperature in range from 0 to 60°C.

Made of 1.5 mm thick steel sheet, powder painted on RAL7035\_GS.

Power supply: 230V AC 50/60Hz.

Noise level: from 45 to 50 dB.

No.	Description – Efficiency	Catalogue No. without thermostat	Catalogue No. with thermostat
1	PWD-2 – 360 m <sup>3</sup> /h	480-001	481-001
2	PWD-4 – 720 m <sup>3</sup> /h	480-002	481-002



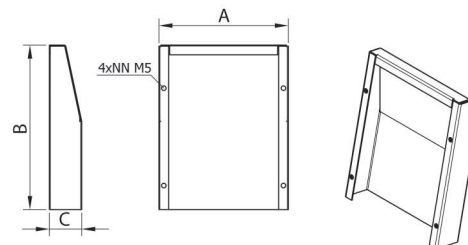
PWD-2 – Roof fan tray

## OPB – Splash proof cover

It is used for additional protection of ventilation grilles or fans. The cover provides mechanical protection and improves tightness by protecting against adverse weather conditions such as rain, snow, splashing water. Covers are compatible with the filter fans and exit filters listed in our offer.

- OPB – Cover made of steel sheet, powder painted;
- OPB-OH – Cover made of stainless steel 1.4301 (AISI 304).

No.	Description – Efficiency – Dimension (H × W × D mm)	Catalogue No. OPB	Catalogue No. OPB-OH
1	OPB-21 m <sup>3</sup> – 179 × 217 × 50	5-905-001	5-907-001
2	OPB-55 m <sup>3</sup> – 175 × 253 × 55	5-905-002	5-907-002
3	OPB-102/200 m <sup>3</sup> – 259 × 309 × 65	5-905-003	5-907-003
4	OPB-300 m <sup>3</sup> – 334 × 367 × 60	5-905-0045	5-907-004

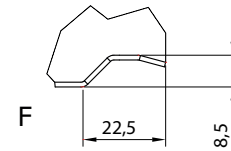
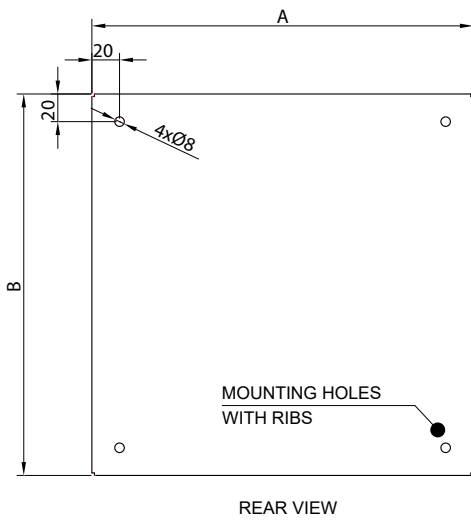
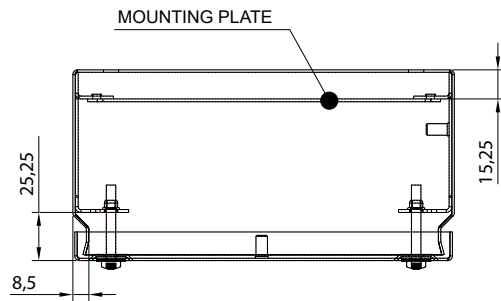
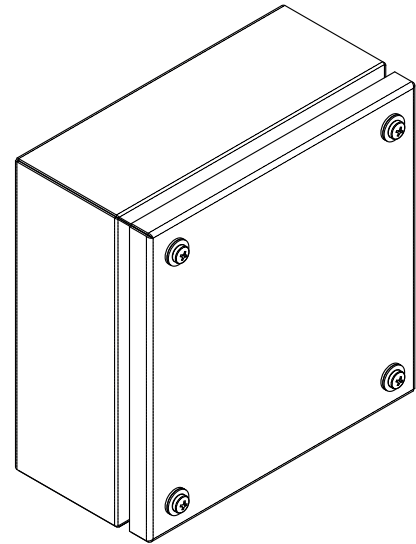
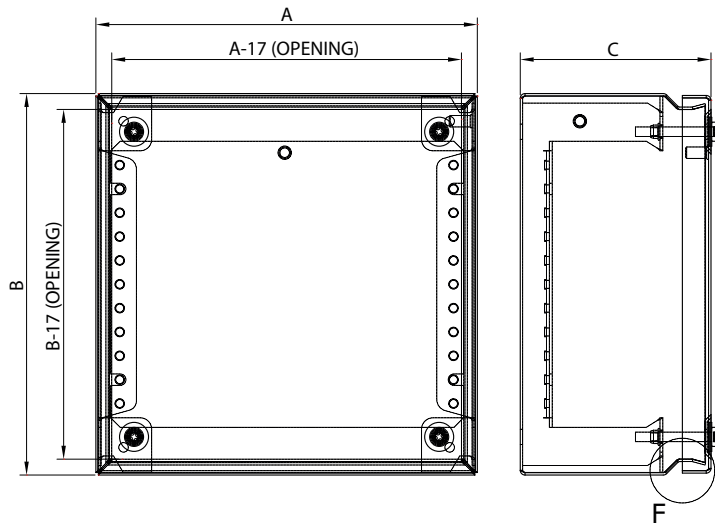


OPB – Splash proof cover

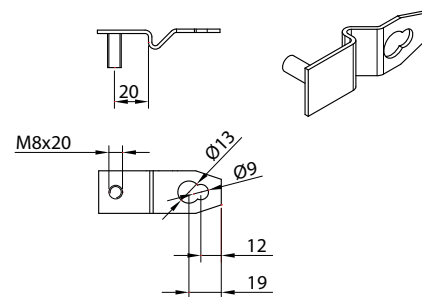
### Scope of delivery:

PWD: 1 piece with or without thermostat in accordance to the selected option, including the power cable (2 m) and fixing elements in the package.

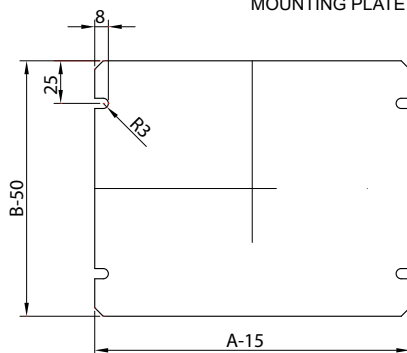
OPB: 1 piece with fastening elements in the package.



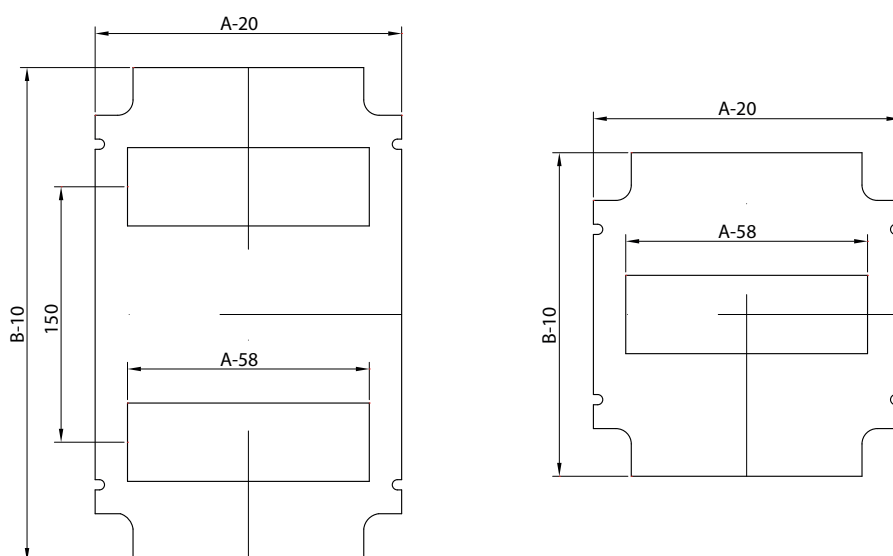
WALL BRACKET UN-1  
4 PCS FOR 1 ENCLOSURE



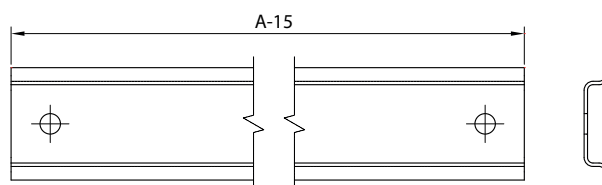
MOUNTING PLATE

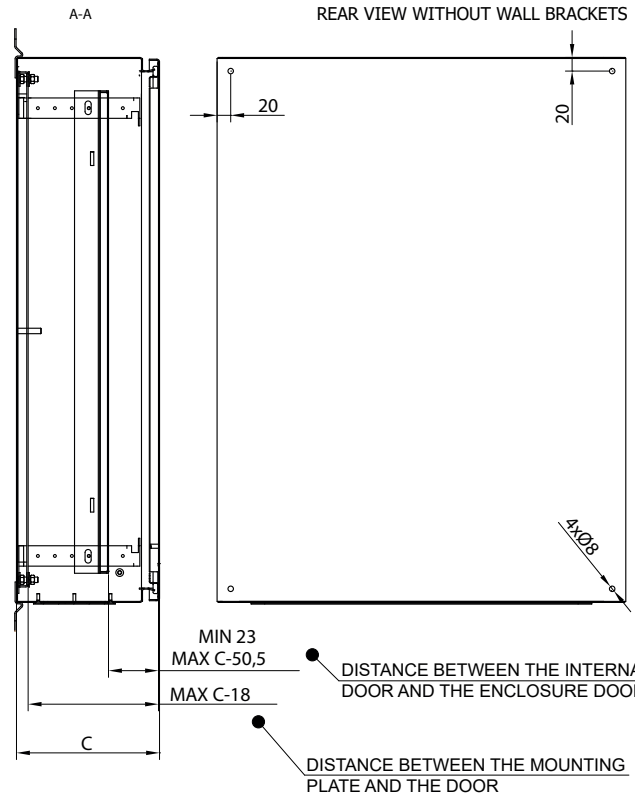
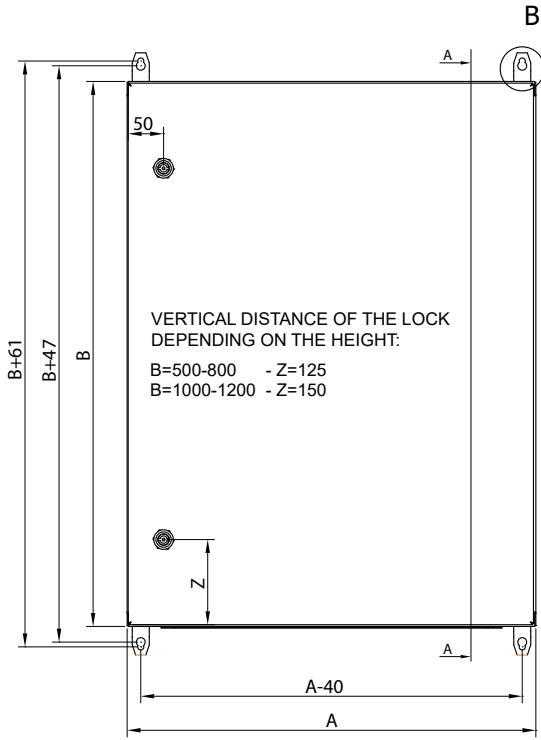
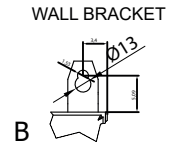
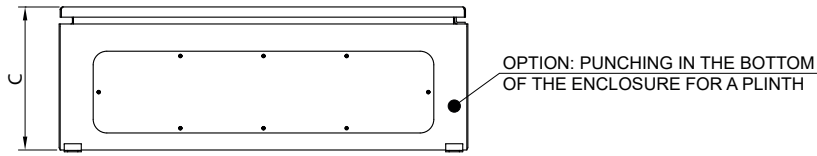


MODULAR COVERS

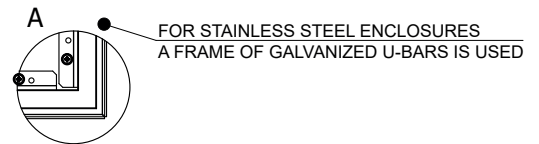
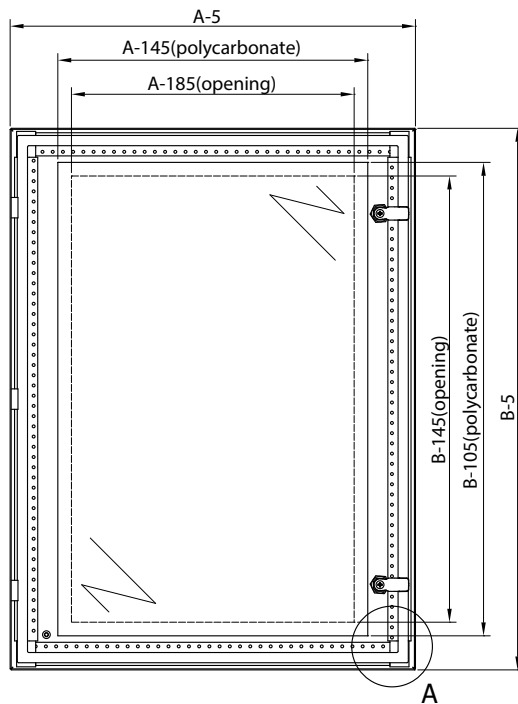


TS RAIL

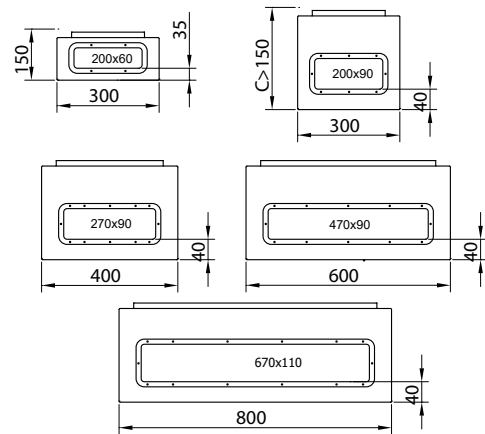




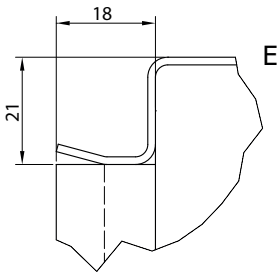
TRANSPARENT DOOR WITH PERFORATED Z-BARS



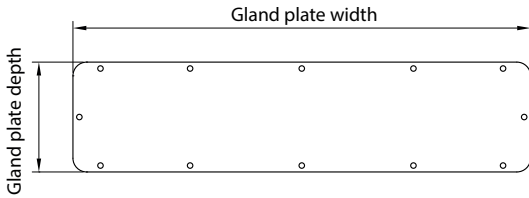
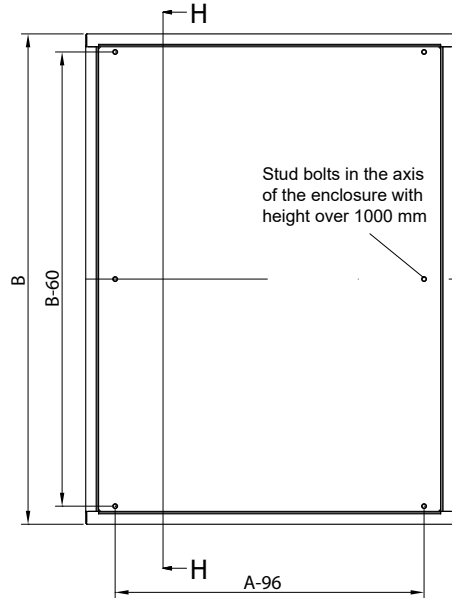
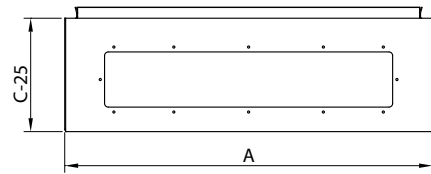
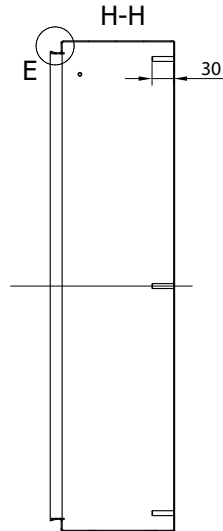
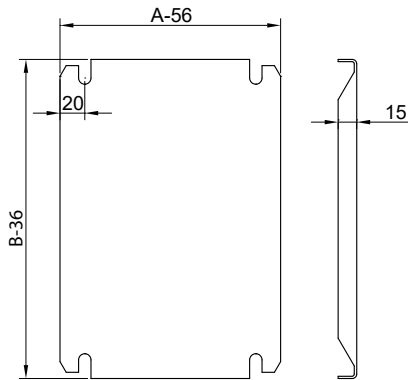
BOTTOM - PUNCHING



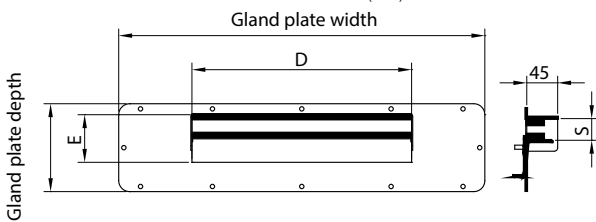
BENDING PROFILE



MOUNTING PLATE



ADJUSTABLE GLAND PLATE (PDR)



BOTTOM VIEW OF THE PLINTH

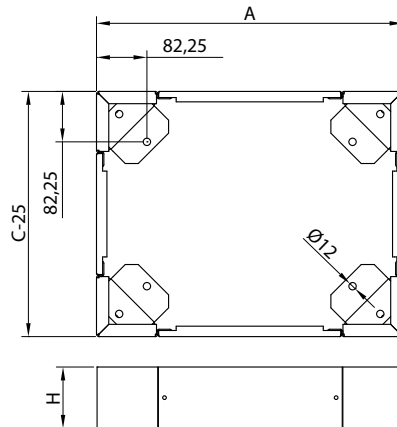
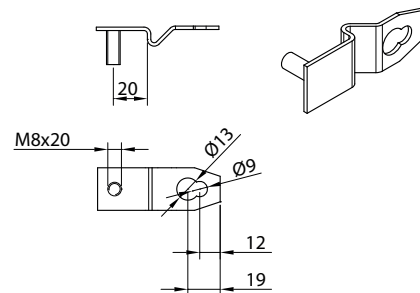
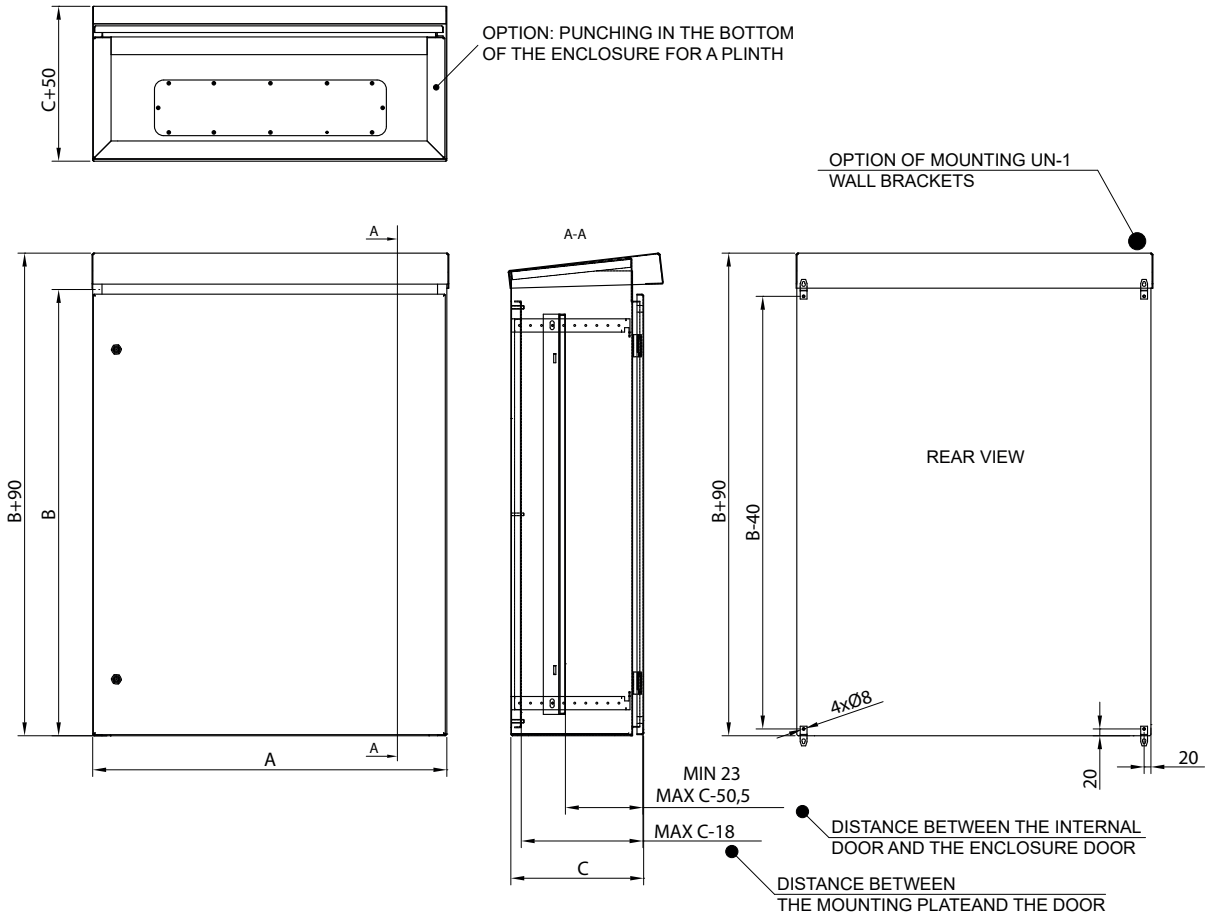


TABLE FOR THE SELECTION OF PDR GLAND PLATES

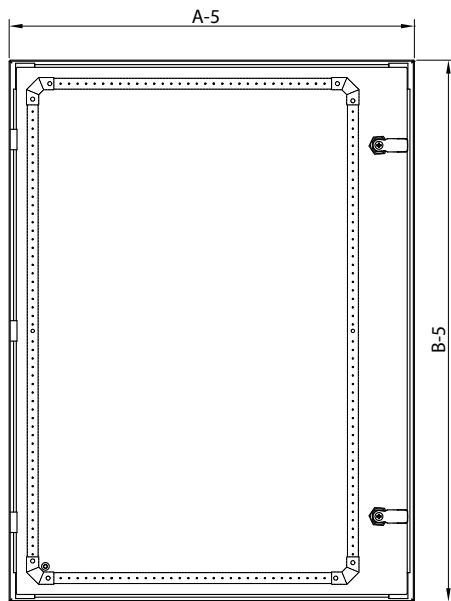
Enclosure		Gland plate		S		D	E	Gland plate type
Width	Depth	Width	Depth	Min	Max			
300	150	-	-	-	-	-	-	-
	210	-	-	-	-	-	-	-
	250	230	120	18	55	150	65	PDR-3
	300	-	-	-	-	-	-	-
400	150	-	-	-	-	-	-	-
	210	-	-	-	-	-	-	-
	250	300	120	18	55	200	65	PDR-4
	300	-	-	-	-	-	-	-
600	150	-	-	-	-	-	-	-
	210	-	-	-	-	-	-	-
	250	500	120	18	55	300	65	PDR-6
	300	-	-	-	-	-	-	-
800	150	-	-	-	-	-	-	-
	210	-	-	-	-	-	-	-
	250	700	140	18	55	400	65	PDR-8
	300	-	-	-	-	-	-	-

WALL BRACKET UN-1  
4 PCS FOR 1 ENCLOSURE

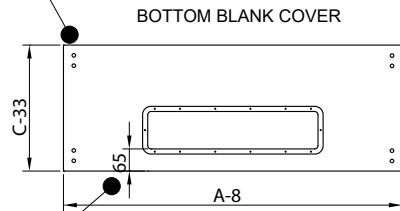




DOOR WITH PERFORATED, STIFFENING FRAME  
THE FRAME IS APPLICABLE FOR A AND B > 600

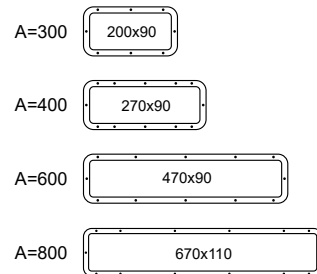


PUNCHING FOR  
THE PLINTH FOR:  
C > 150 AND A > 300

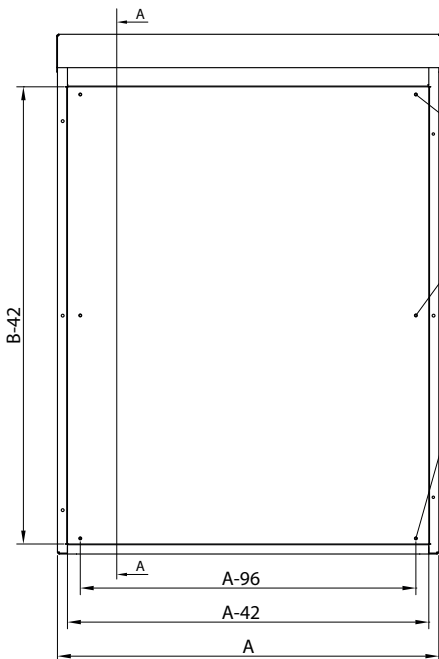
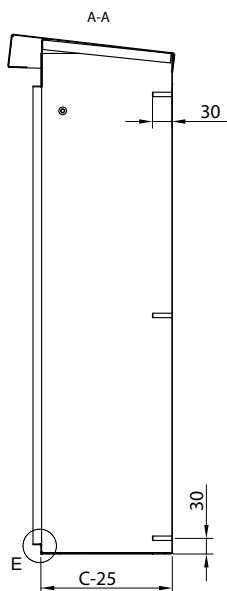
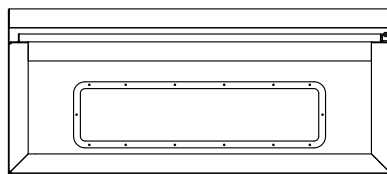
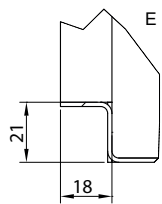


For C ≤ 210 dim. 65 mm  
decreases to 45 mm

SIZES OF GLAND PLATE OPENINGS  
FOR DIFFERENT WIDTHS OF THE ENCLOSURE

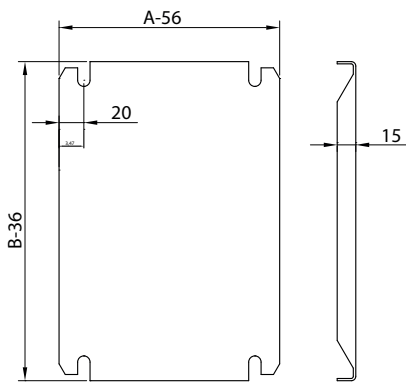




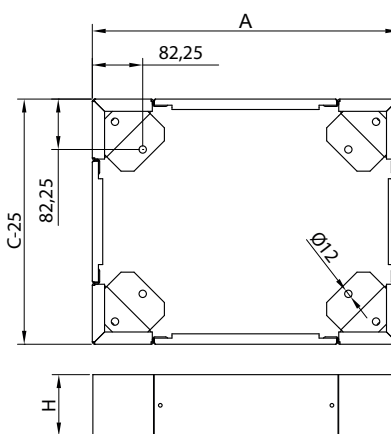


BOLTS FOR MOUNTING  
PLATE LOCATED  
ACCORDING TO THE RSA  
ENCLOSURE SPACINGS

MOUNTING PLATE

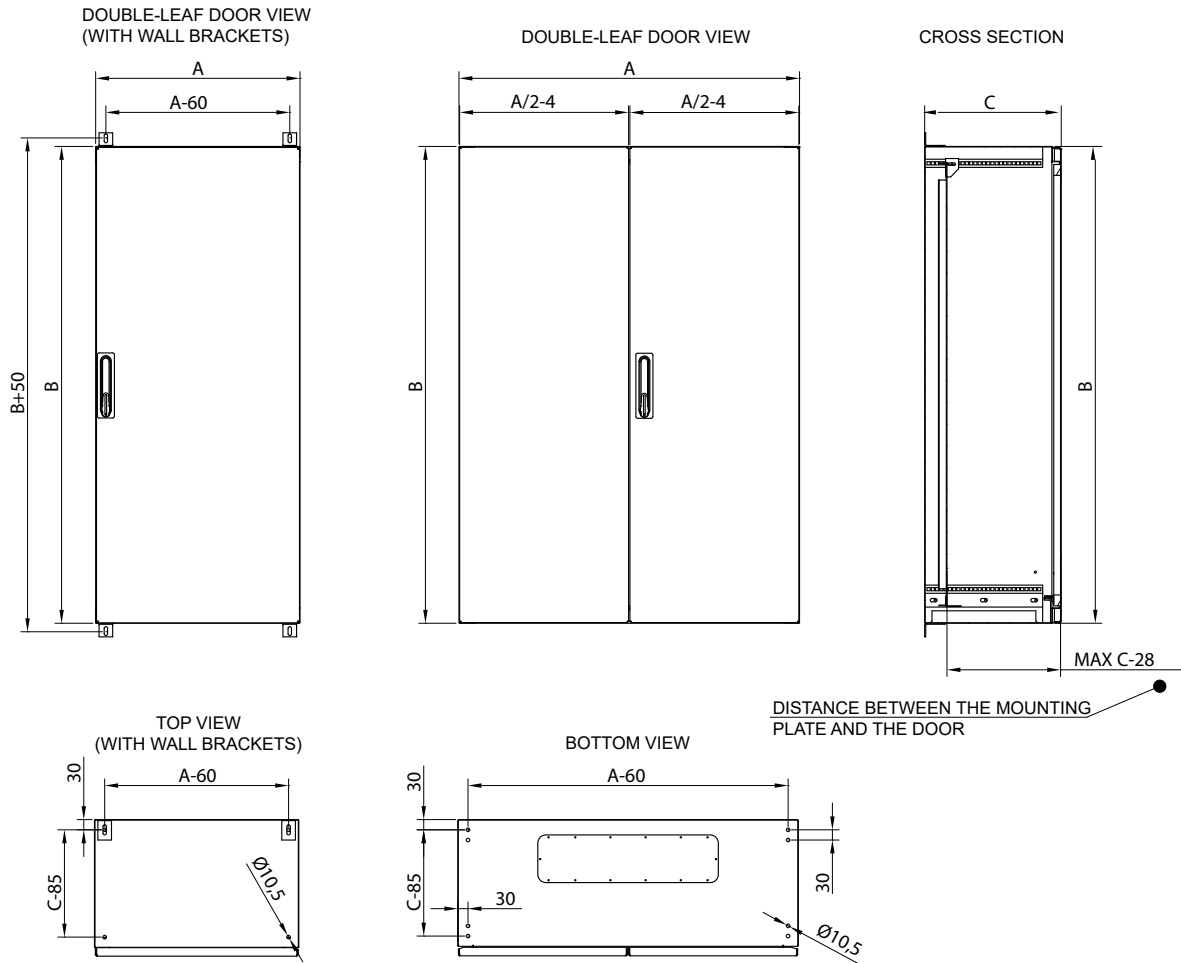


BOTTOM VIEW OF THE PLINTH

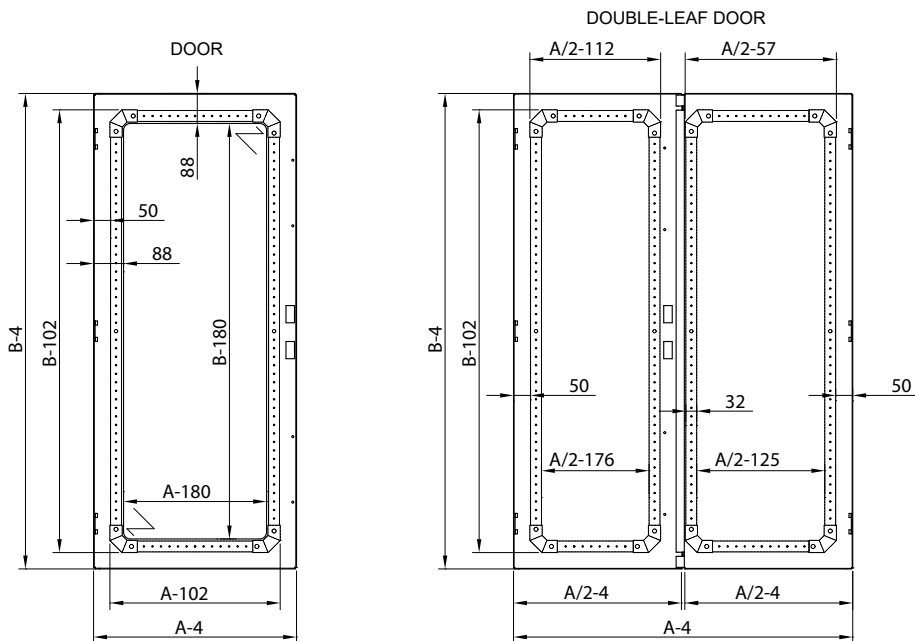


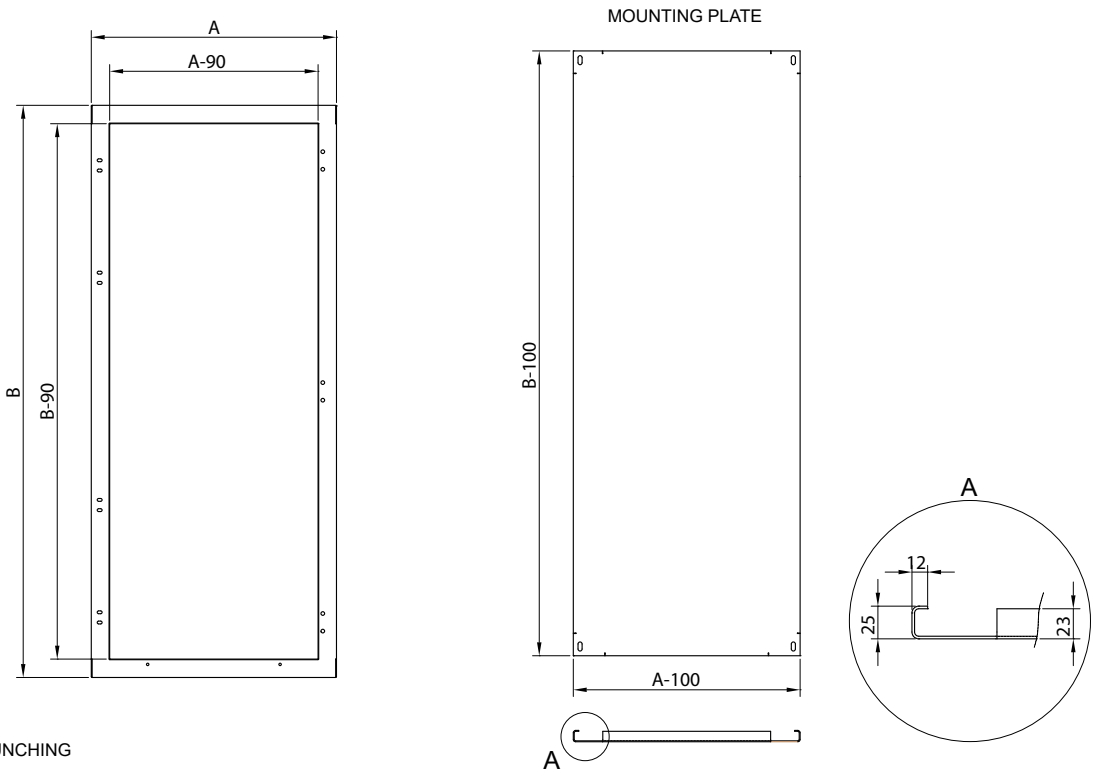
SELECT GLAND PLATES ACCORDING  
TO THE RSA GLAND PLATES TABLE



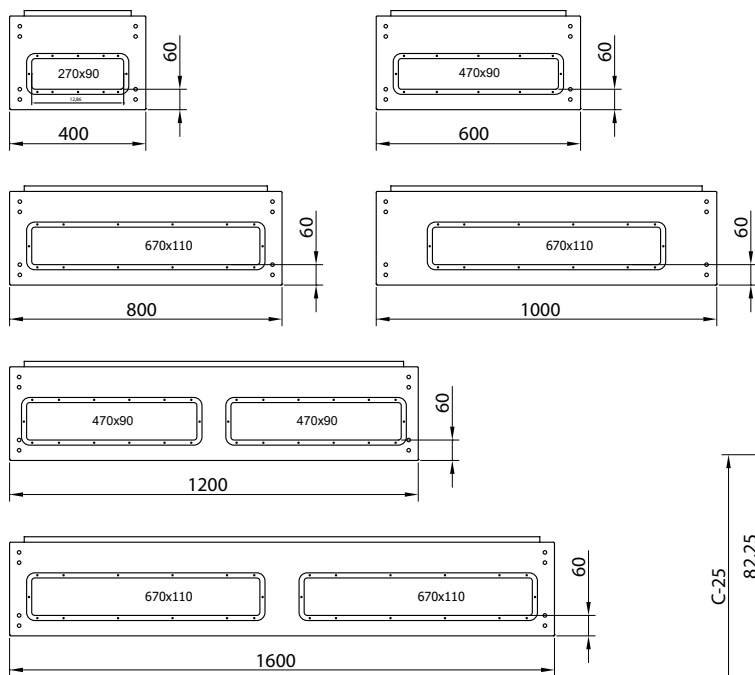


**DOOR WITH PERFORATED STIFFENING FRAMES**

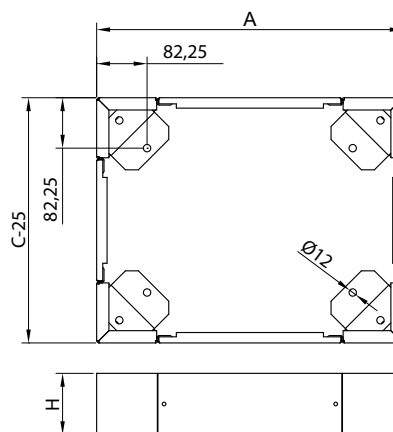




SIDES - PUNCHING

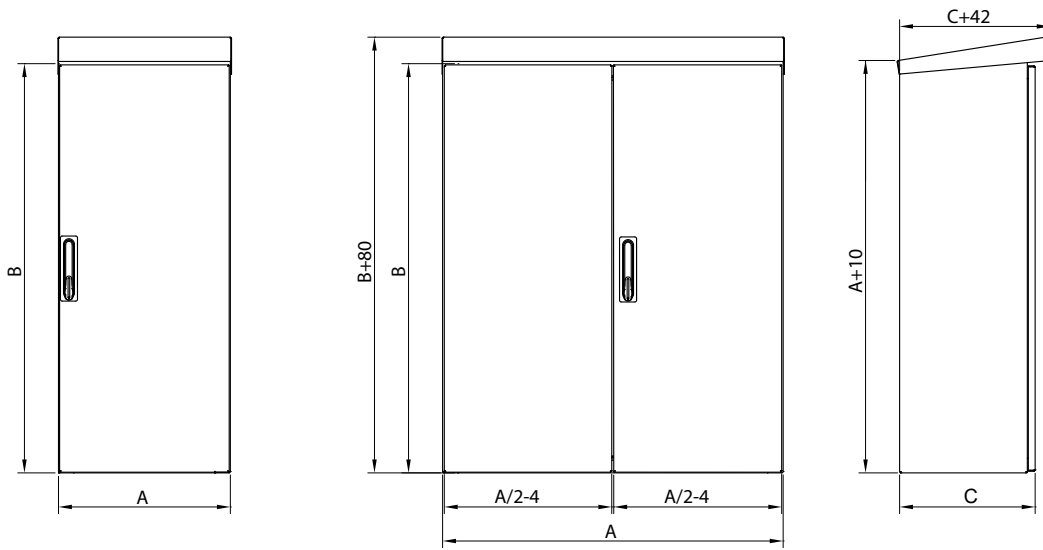


BOTTOM VIEW OF THE PLINTH

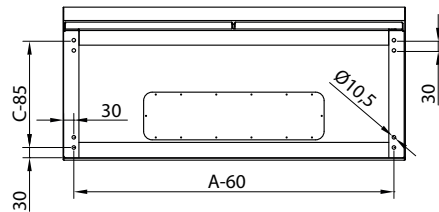


SELECT GLAND PLATES ACCORDING TO THE RSA GLAND PLATES TABLE

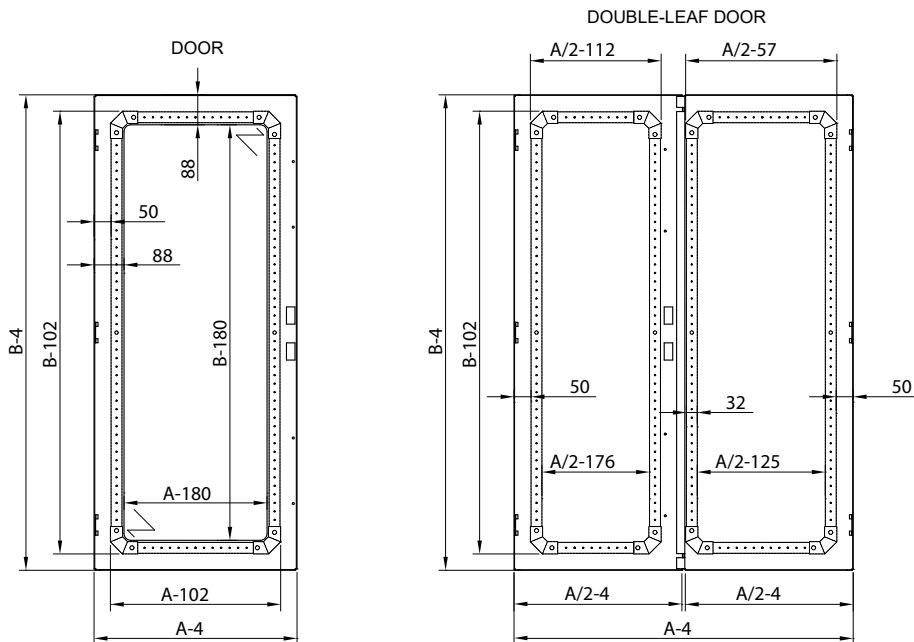




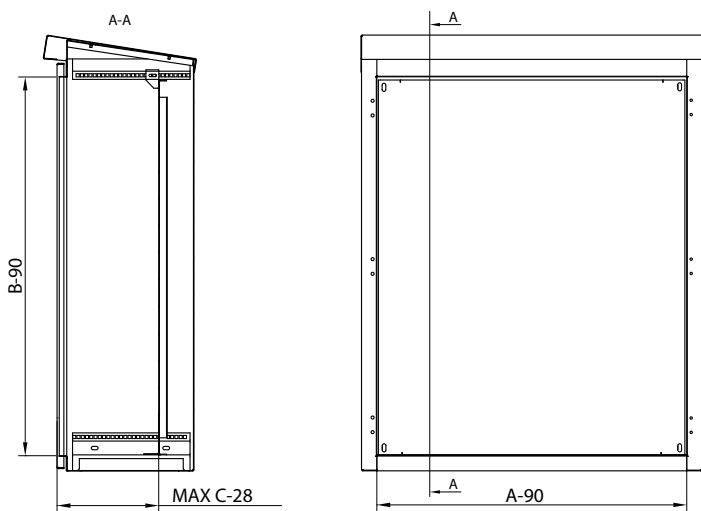
**CABLE GLAND PUNCHING  
AS IN RSB ENCLOSURES**



**DOOR WITH PERFORATED STIFFENING FRAMES**

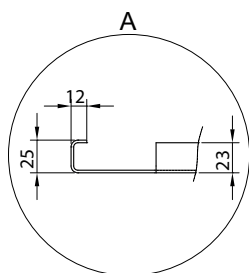
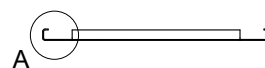
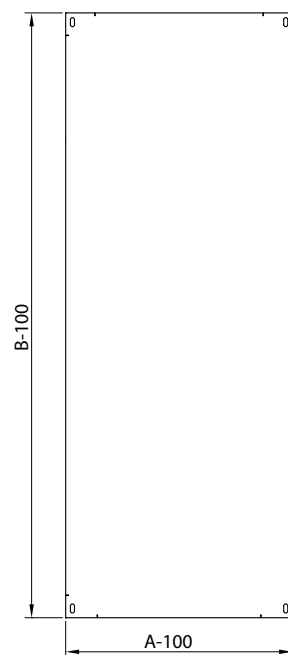


**MOUNTING PLATE VIEW  
(WITHOUT DOOR)**



DISTANCE BETWEEN THE MOUNTING PLATE AND THE DOOR

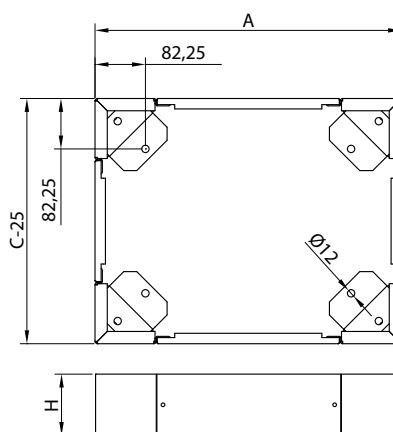
**MOUNTING PLATE**

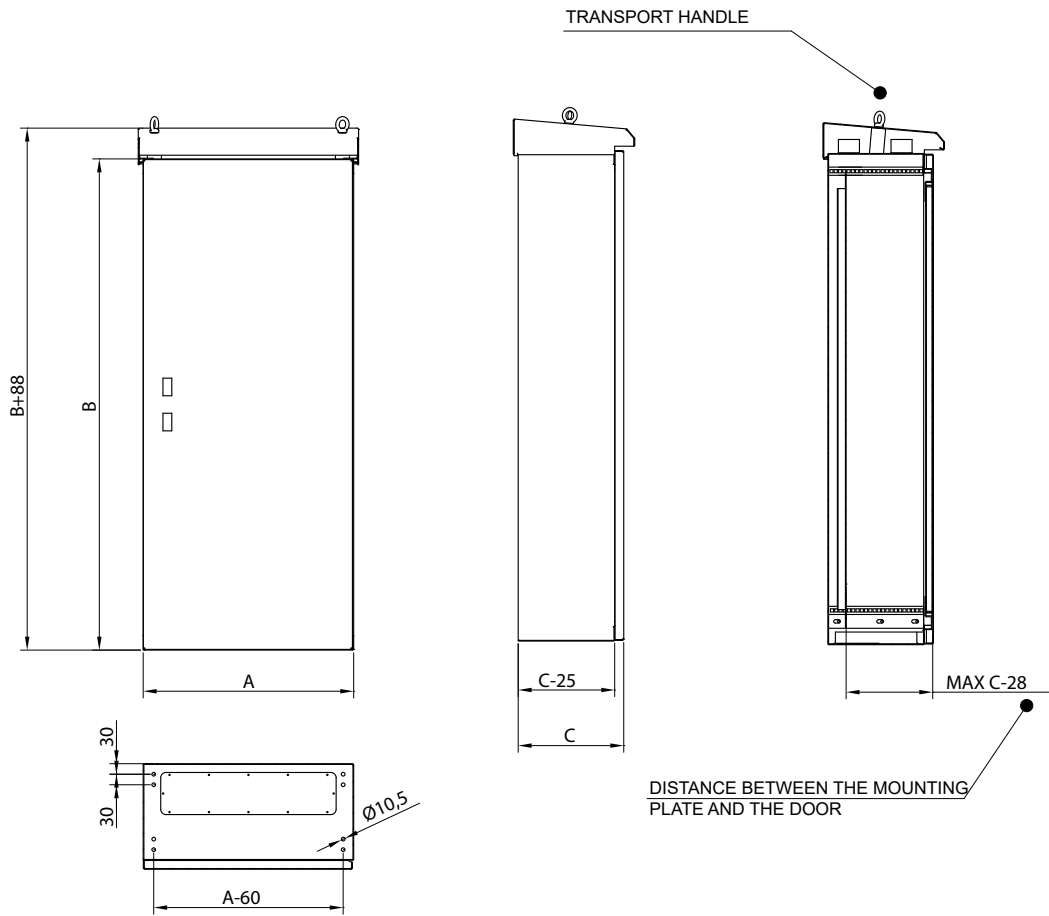


**SELECT GLAND PLATES ACCORDING TO THE RSA GLAND PLATES TABLE**

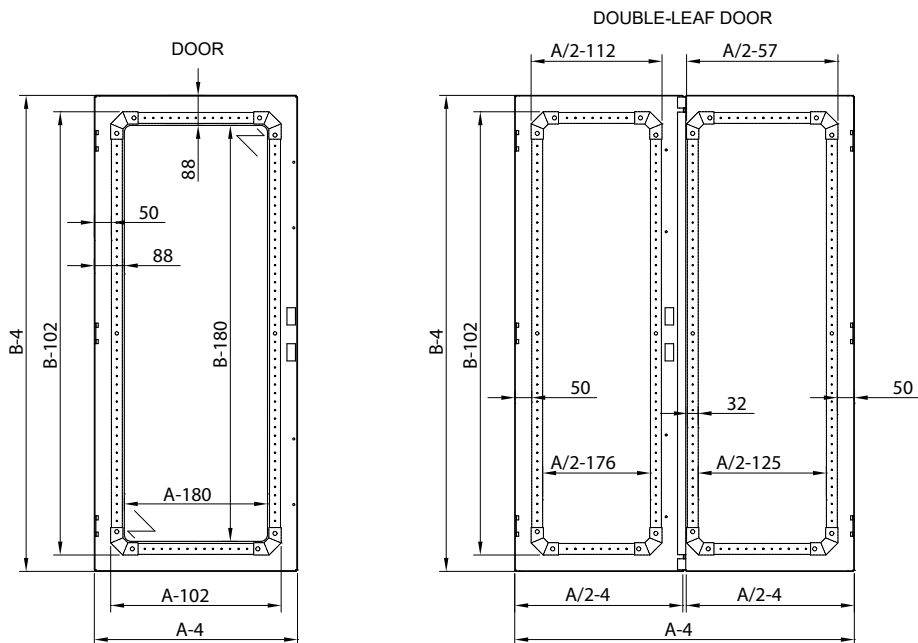


**BOTTOM VIEW OF THE PLINTH**

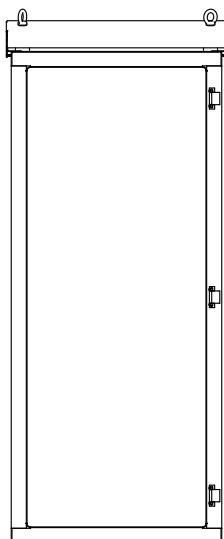




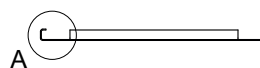
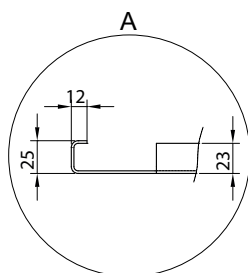
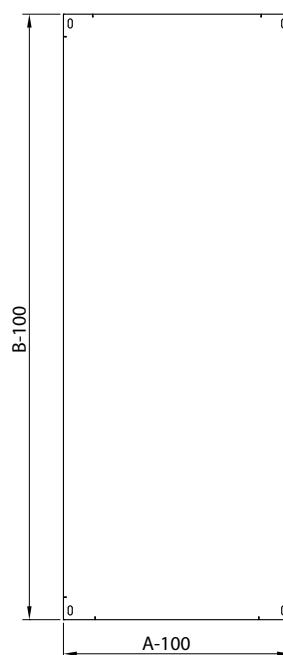
**DOOR WITH PERFORATED STIFFENING FRAMES**



MOUNTING PLATE VIEW  
(WITHOUT DOOR)



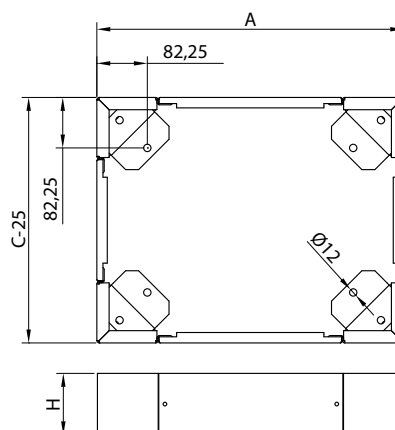
MOUNTING PLATE

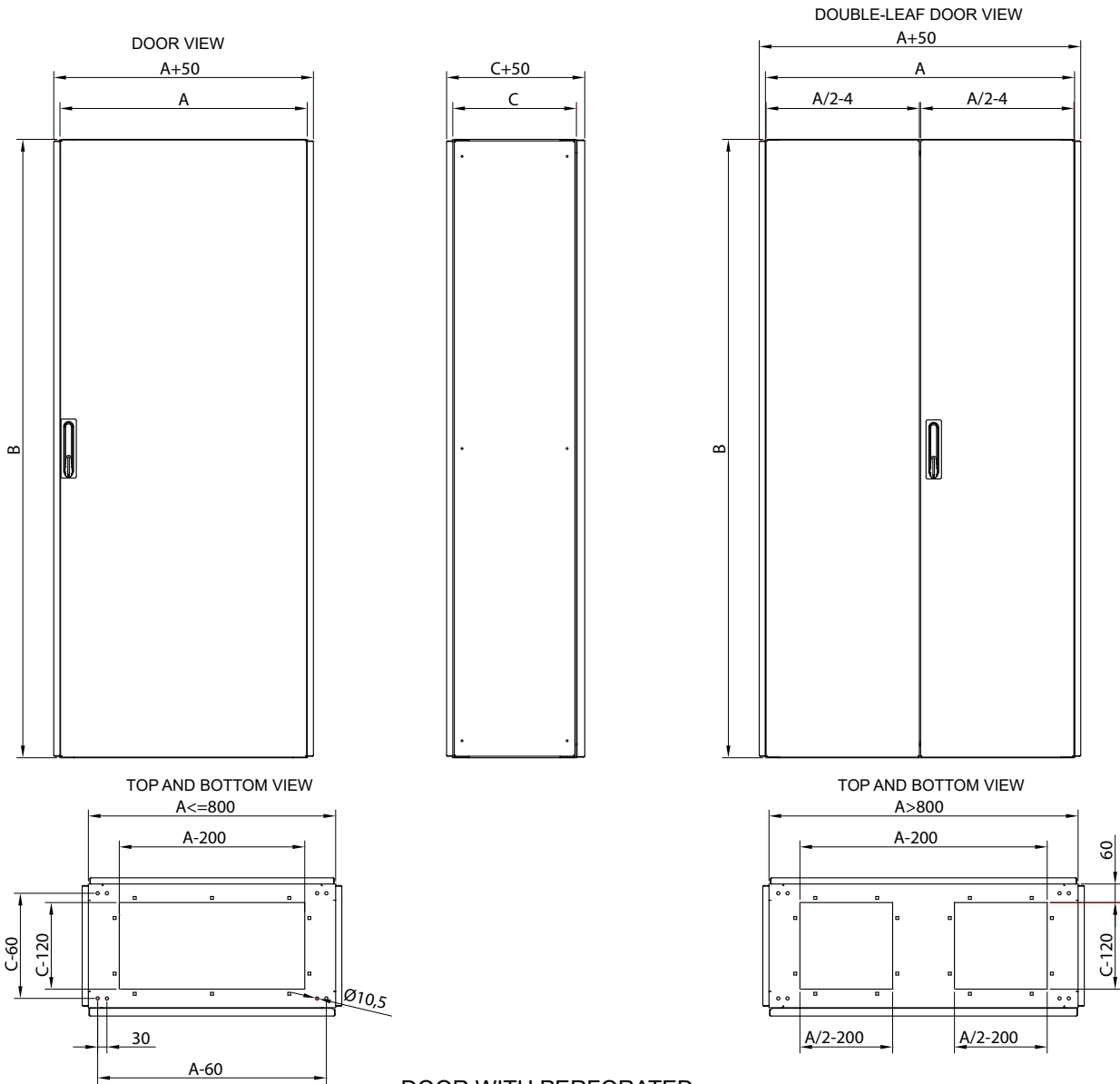


SIZES OF GLAND PLATE OPENINGS  
FOR DIFFERENT WIDTHS OF THE ENCLOSURE

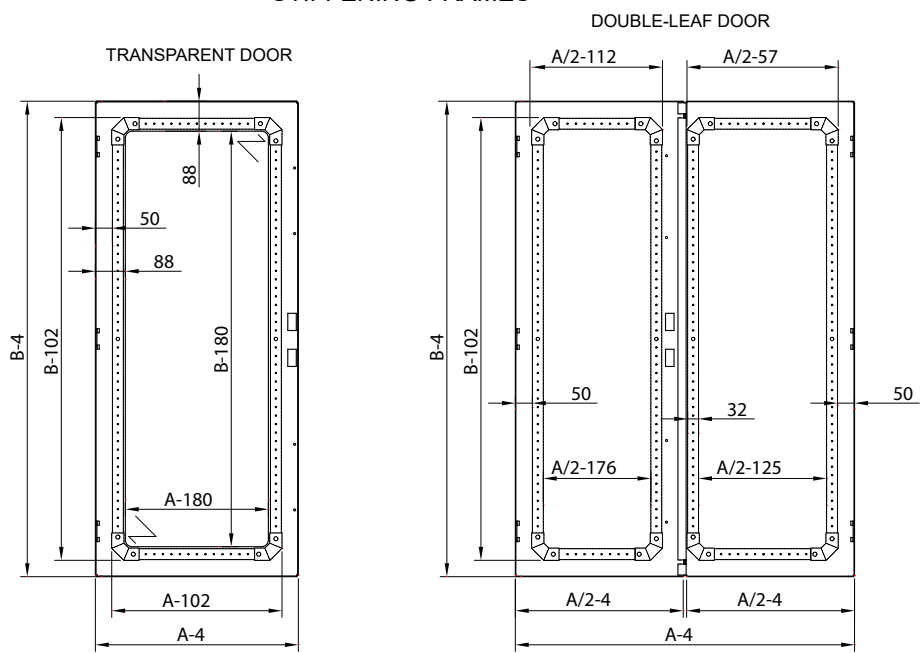
A=300	200x90
A=400	270x90
A=600	470x90
A=800	670x110

BOTTOM VIEW OF THE PLINTH

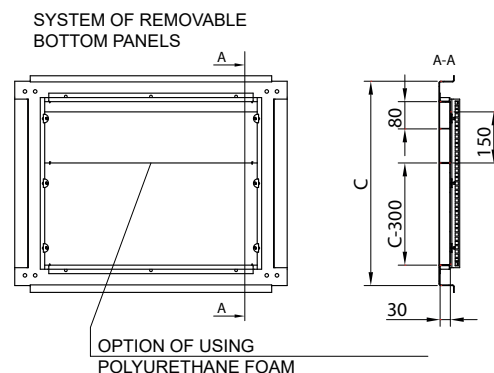
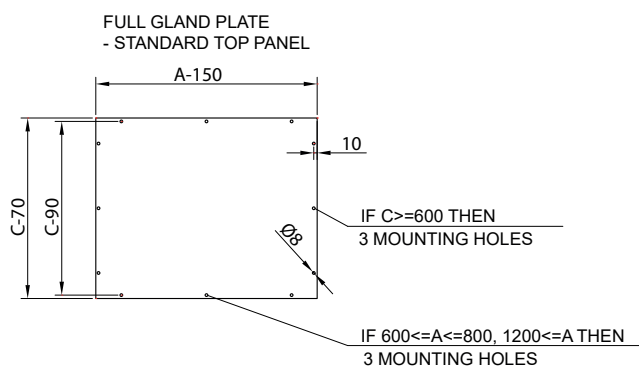
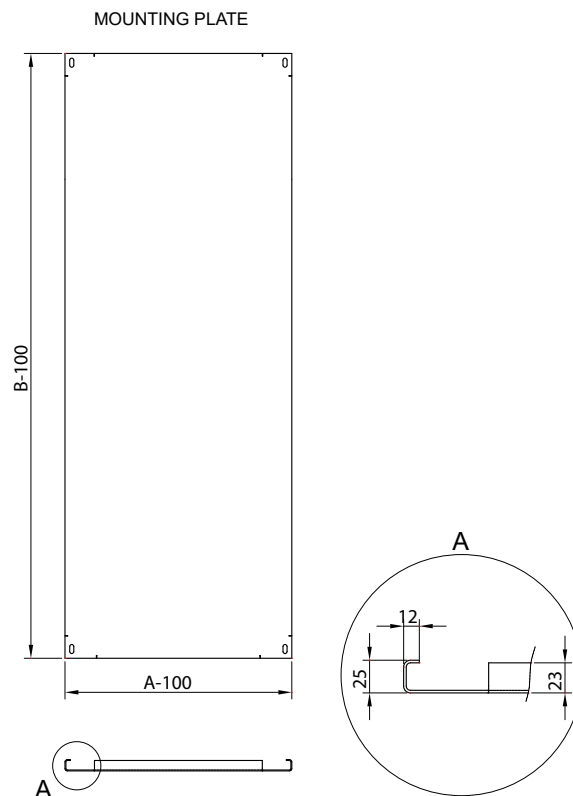
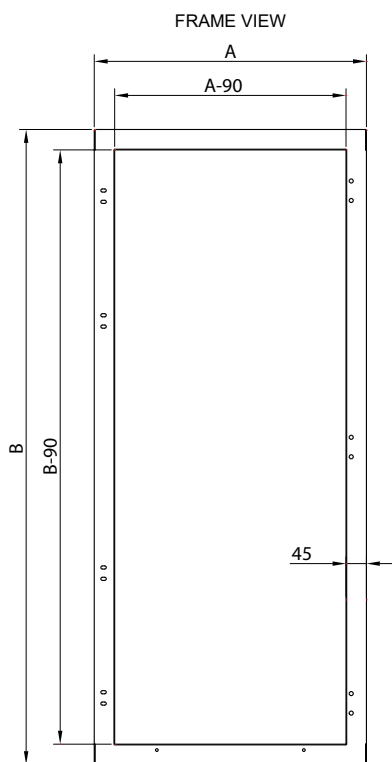




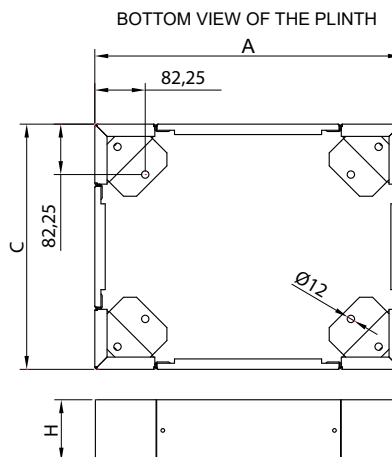
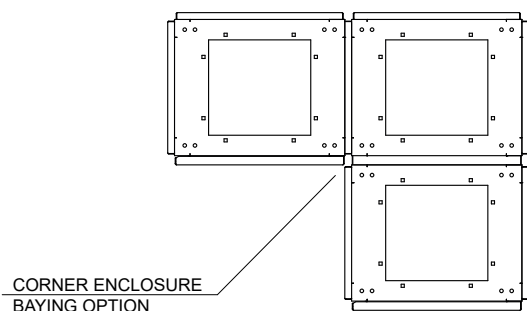
DOOR WITH PERFORATED STIFFENING FRAMES

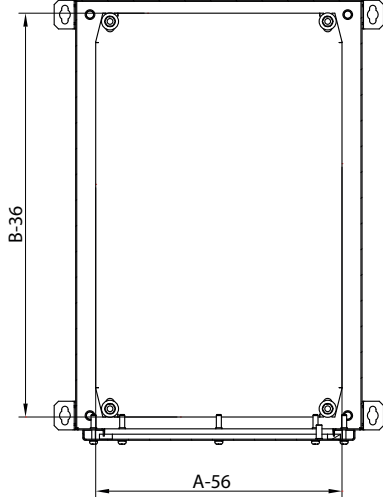
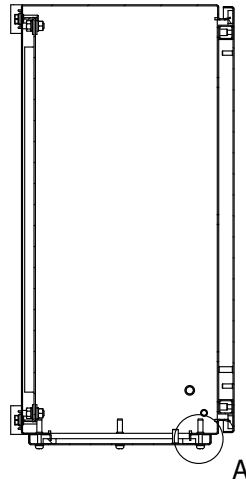
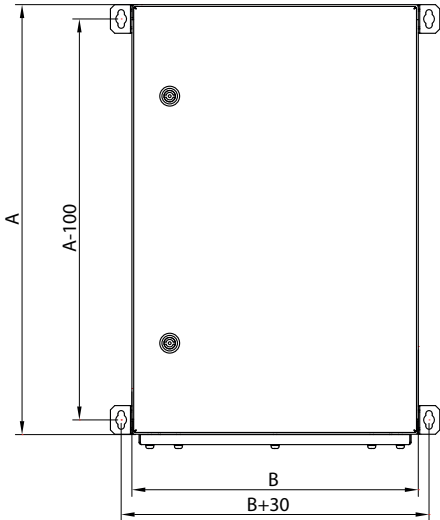
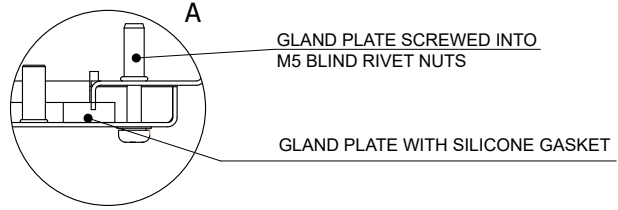
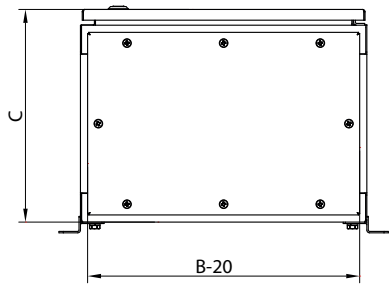




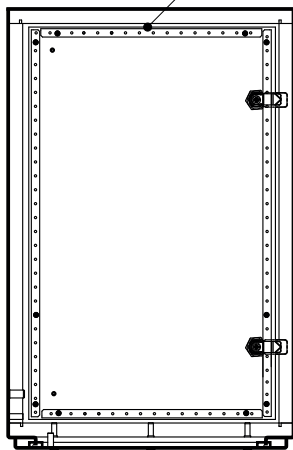


MOUNTING OF SIDE COVERS DOES NOT  
INCREASE THE INGRESS PROTECTION  
RATING (IPXX) OF THE ENCLOSURE



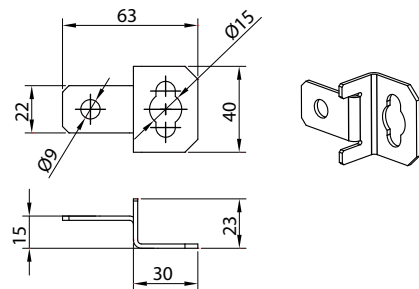


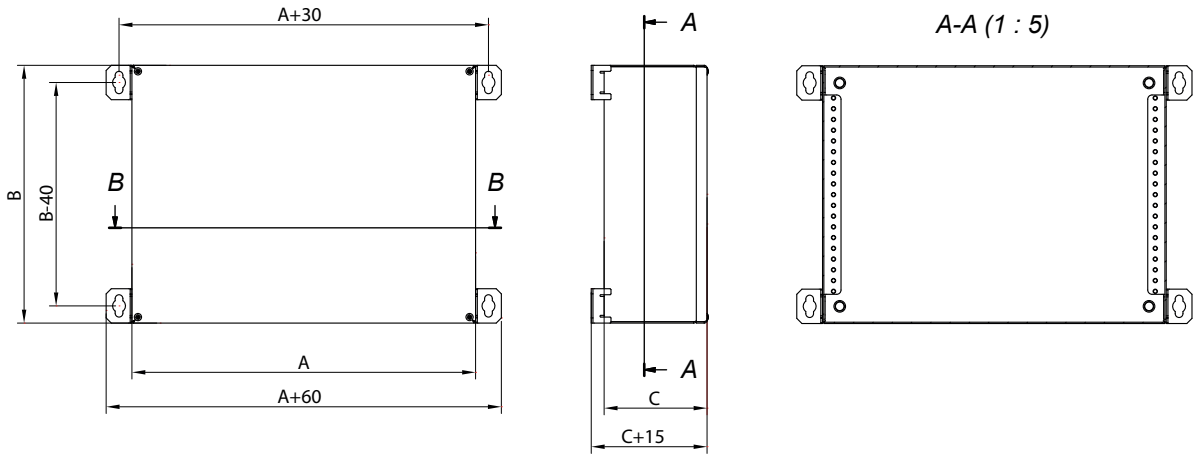
DOOR REINFORCED WITH A FRAME  
MADE OF GALVANIZED U-BARS



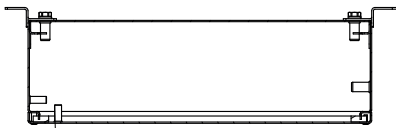
DIM. B	NO. OF LOCKS
1200	3
1000	3
800	2
600	2
500	2
400	1
300	1

UN-3 ATEX

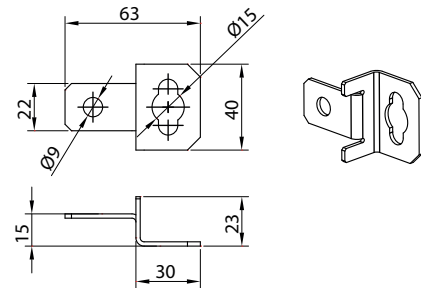




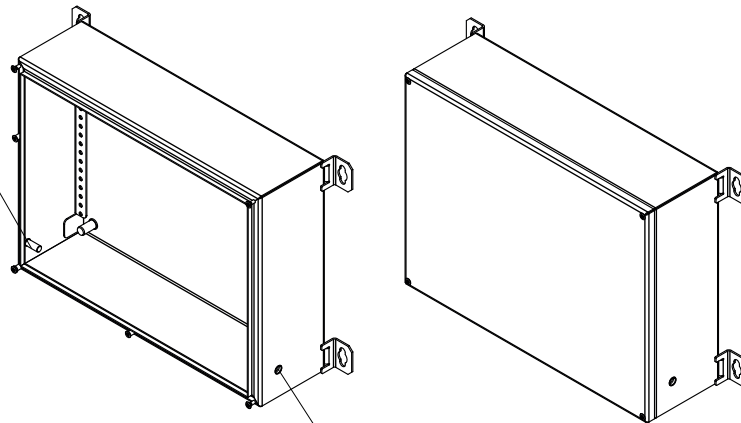
$B-B (1:5)$



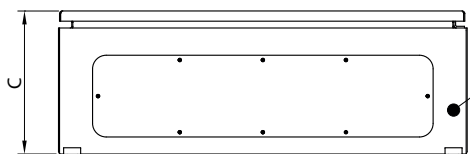
UN-3 ATEX



M8 GROUNDING STUD

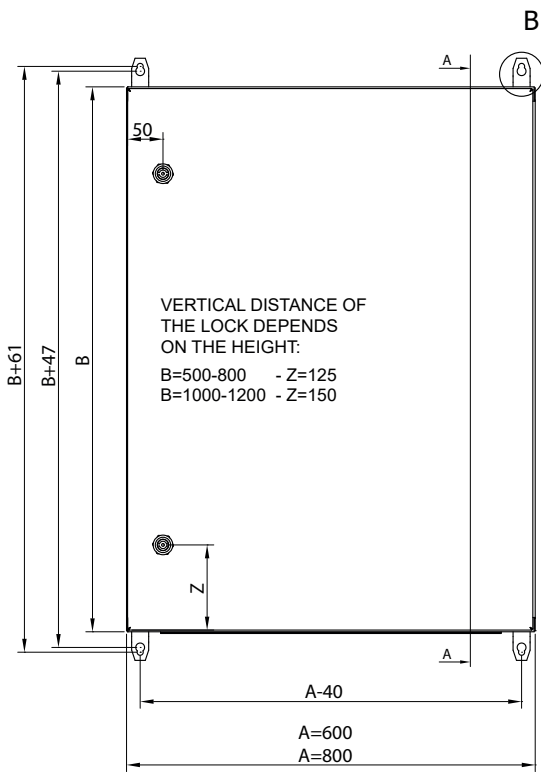
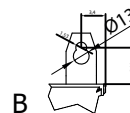


M8 BLIND RIVET NUT FOR SCREWING AN EXTERNAL GROUNDING



OPTION: PUNCHING IN THE BOTTOM OF THE ENCLOSURE FOR A PLINTH

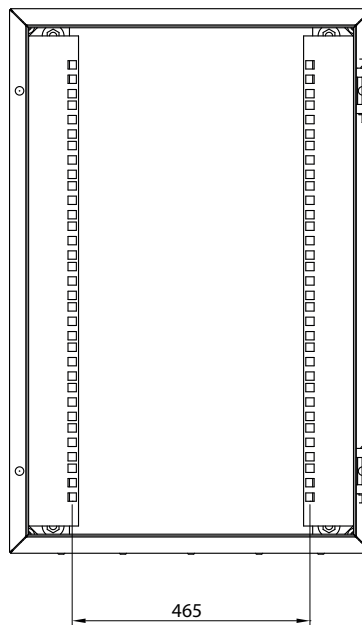
WALL BRACKET



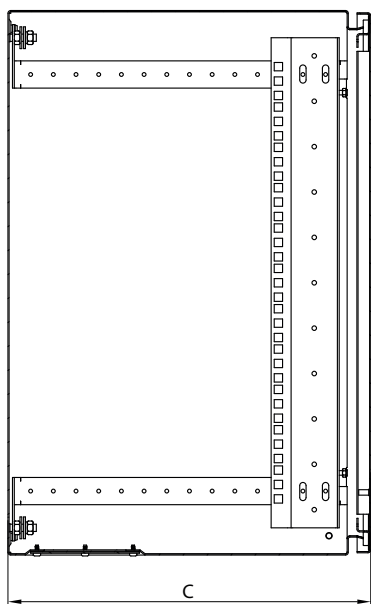
VERTICAL DISTANCE OF THE LOCK DEPENDS ON THE HEIGHT:

B=500-800 - Z=125  
B=1000-1200 - Z=150

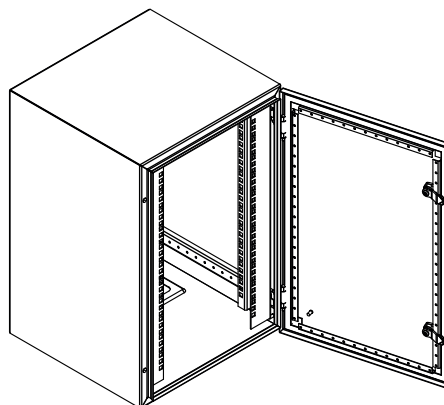
B



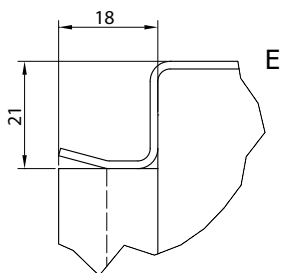
FOR A=800 19" VERTICAL BEAMS MOUNTED ON EXTENSION ARMS



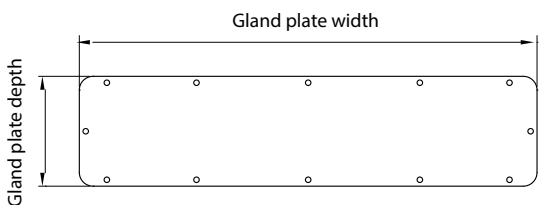
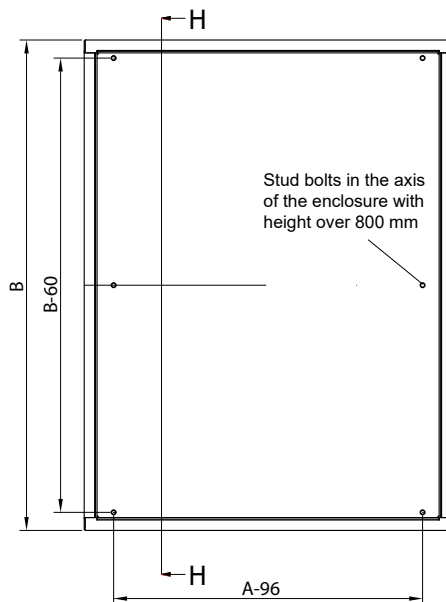
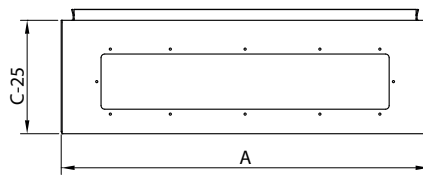
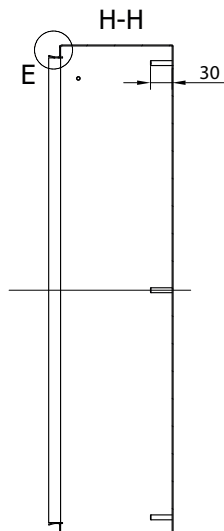
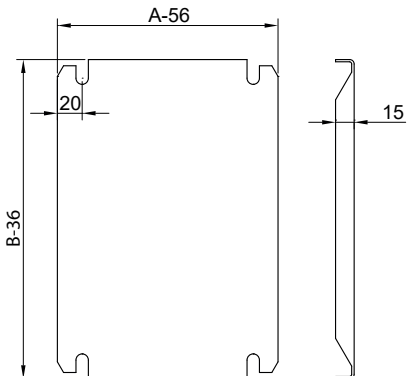
RSA ENCLOSURE EQUIPPED WITH 19" BEAMS MOUNTED ON WGR



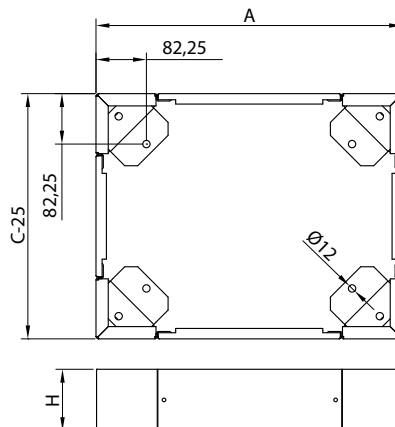
BENDING PROFILE



MOUNTING PLATE



BOTTOM VIEW OF THE PLINTH



REGULATED GLAND PLATE (PDR)

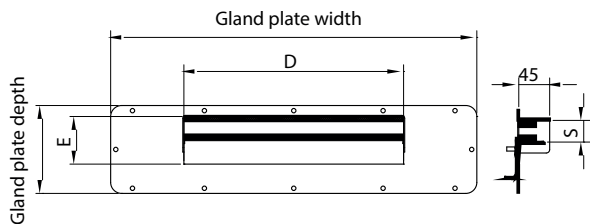
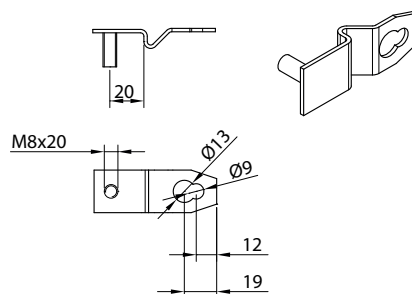
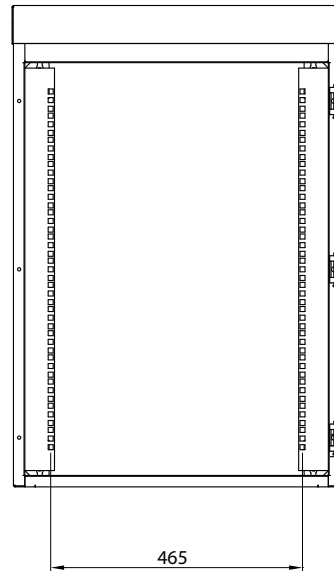
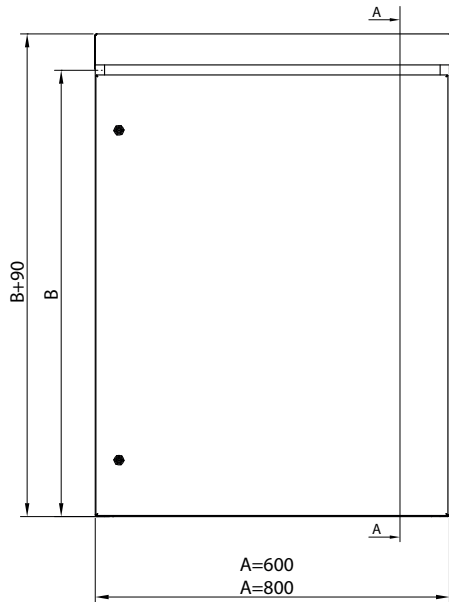
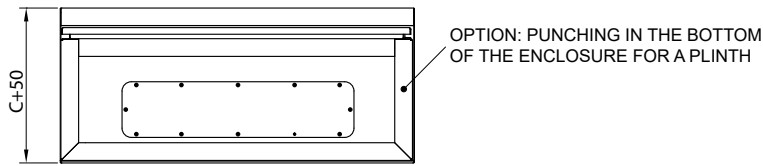


TABLE FOR THE SELECTION OF PDR GLAND PLATES

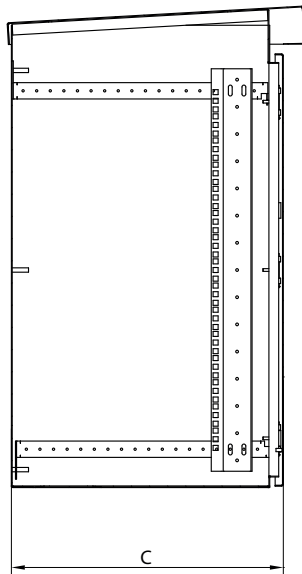
Enclosure	Gland plate		S		D	E	Gland plate type
	Width	Depth	Min	Max			
600	150	-	-	-	-	-	-
	210	500	120	18	55	300	65
	250						
	300						
800	150	-	-	-	-	-	-
	210	700	140	18	55	400	65
	250						
	300						

WALL BRACKET UN-1  
4 PCS FOR 1 ENCLOSURE

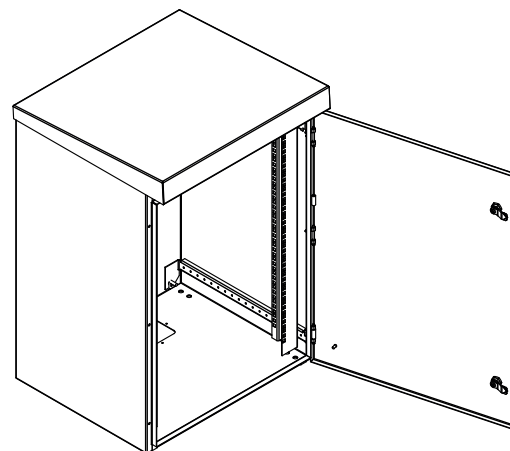


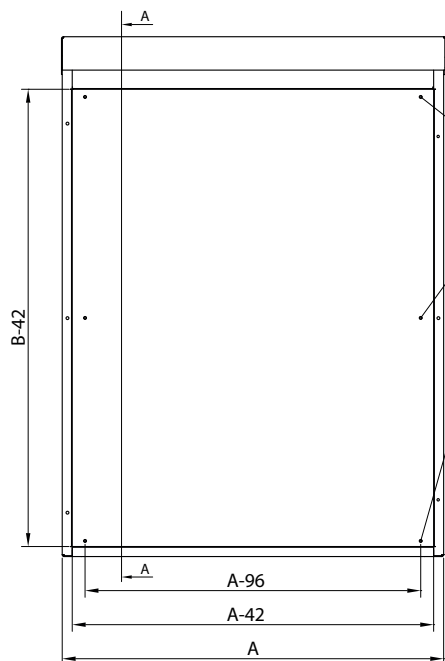
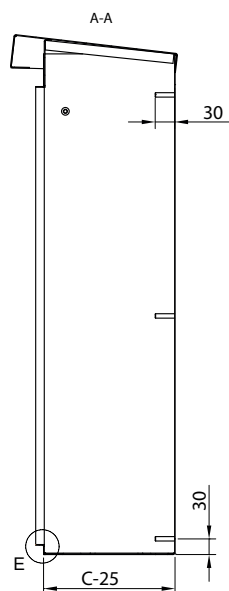
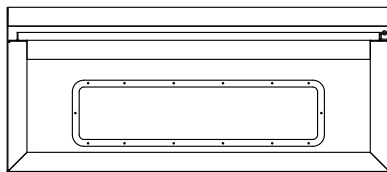
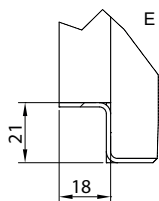


FOR A=800 19" VERTICAL BEAMS MOUNTED ON EXTENSION ARMS



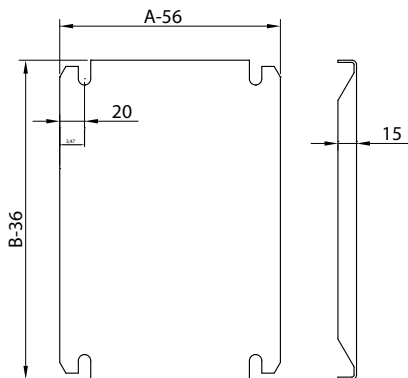
SZA ENCLOSURE EQUIPPED WITH 19" BEAMS MOUNTED ON WGR



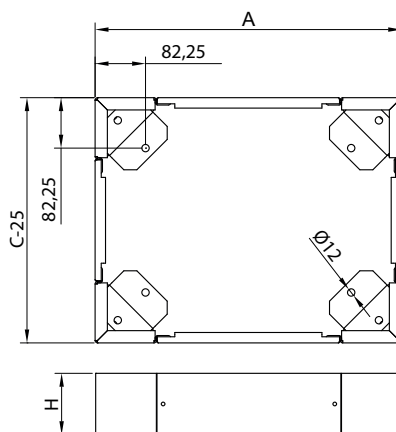


BOLTS FOR MOUNTING  
PLATE LOCATED  
ACCORDING TO THE RSA  
ENCLOSURE SPACINGS

MOUNTING PLATE

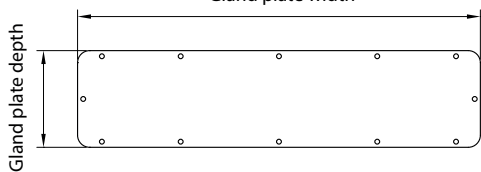


BOTTOM VIEW OF THE PLINTH

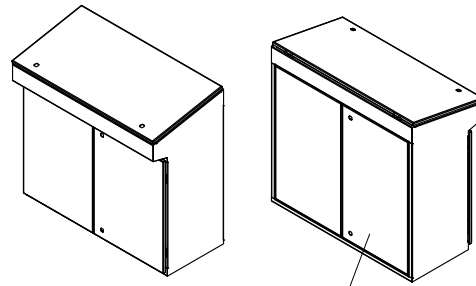
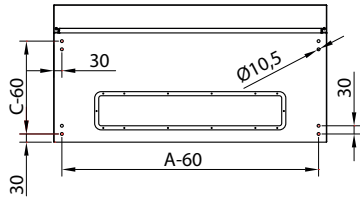


SELECT GLAND PLATES ACCORDING  
TO THE RSA GLAND PLATES TABLE

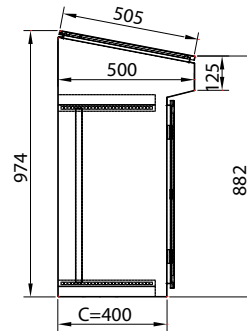
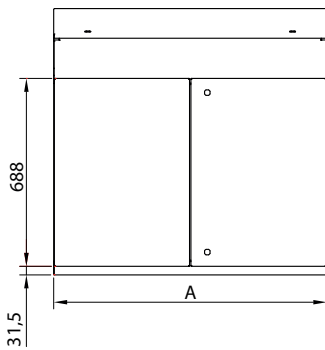
FULL GLAND PLATE  
Gland plate width



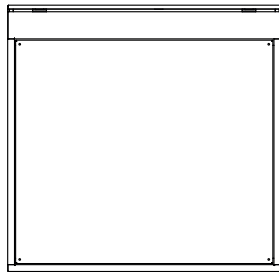
CONTROL ENCLOSURES HAVE THE SAME CONSTRUCTION. ONLY REAR PANELS ARE DIFFERENT. GLAND PLATE OPENINGS ARE THE SAME AS IN RSB ENCLOSURES



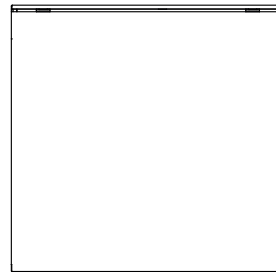
OPTION OF MOUNTING OPENABLE DOOR



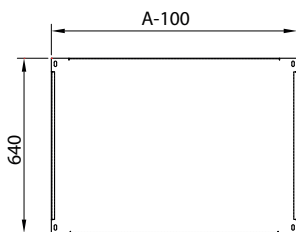
PSA ENCLOSURE HAS REMOVABLE REAR PANEL



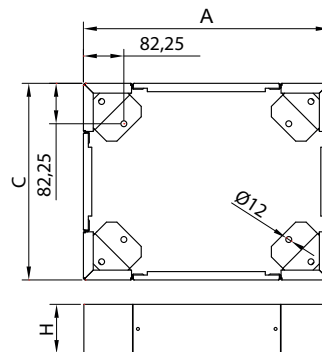
PSB ENCLOSURE HAS FIXED REAR PANEL



MOUNTING PLATE FOR PSA AND PSB

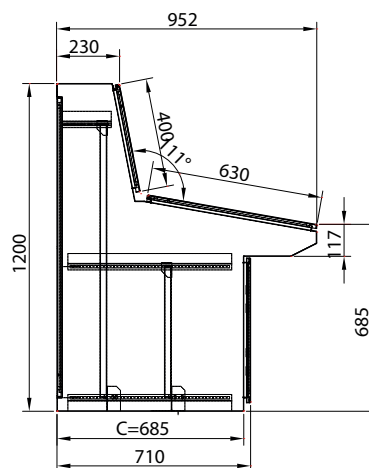
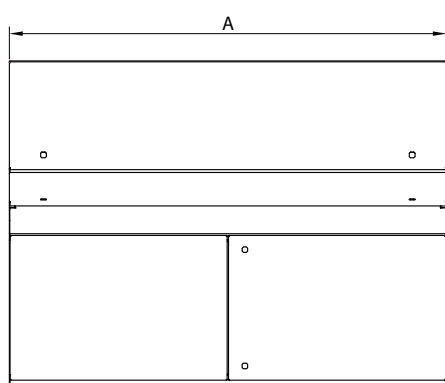
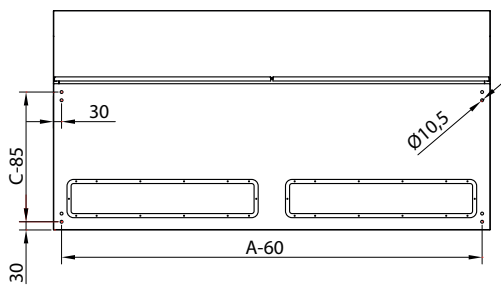
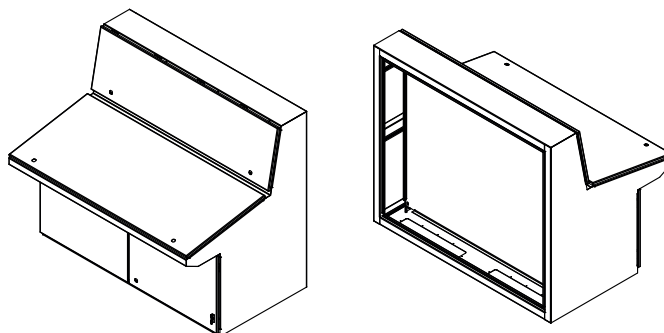


BOTTOM VIEW OF PSA, PSB, PSC, PSD PLINTH

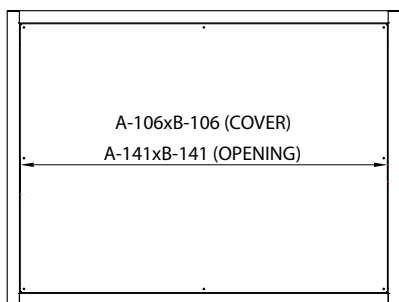




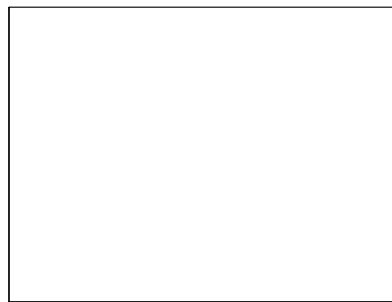
CONTROL ENCLOSURES HAVE THE SAME CONSTRUCTION, ONLY REAR PANELS ARE DIFFERENT. GLAND PLATE OPENINGS ARE THE SAME AS IN RSB ENCLOSURES



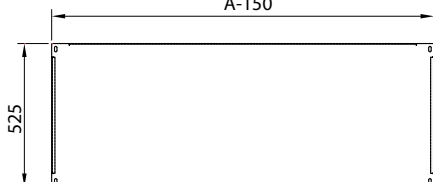
PSC ENCLOSURE HAS REMOVABLE REAR PANEL



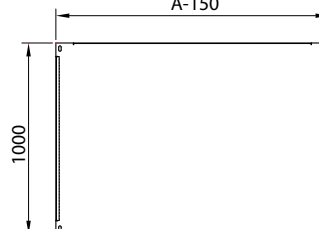
PSD ENCLOSURE HAS FIXED REAR PANEL

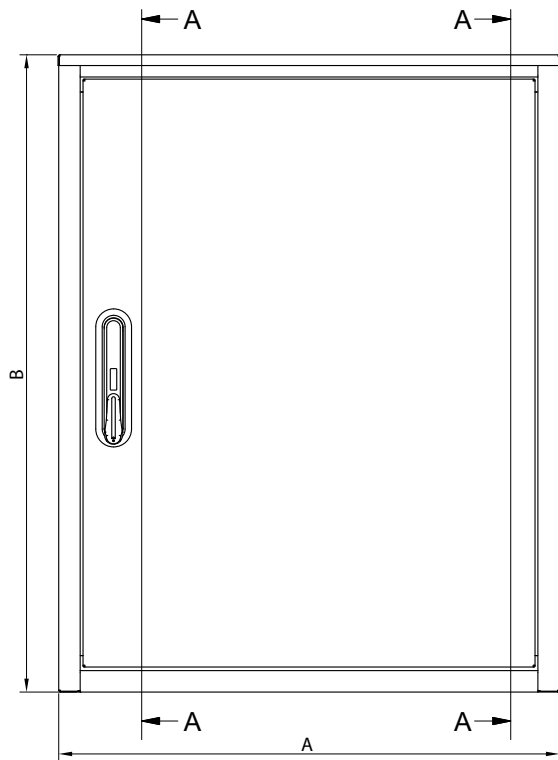
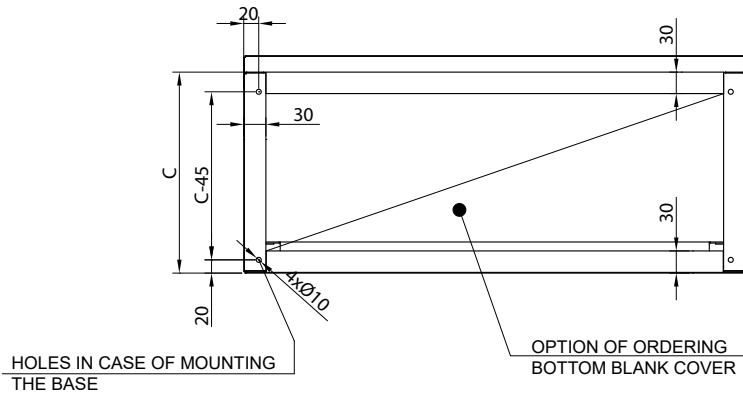


LOW MOUNTING PLATE  
A-150

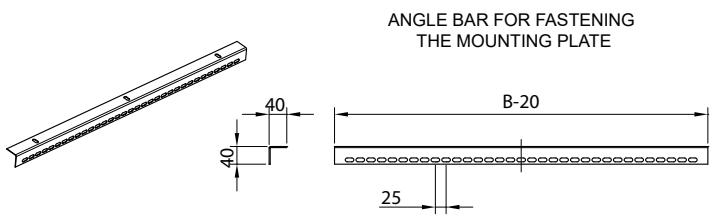
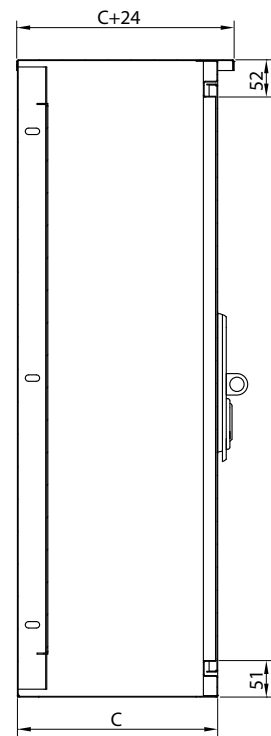


HIGH MOUNTING PLATE  
A-150



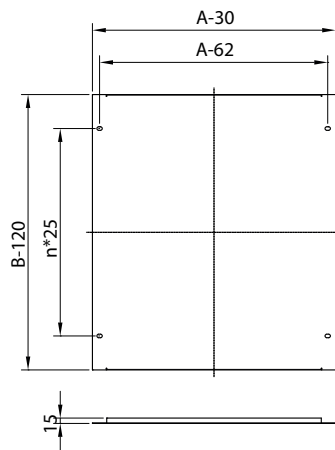


A-A

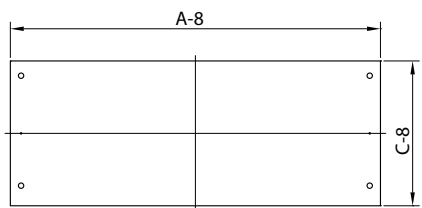


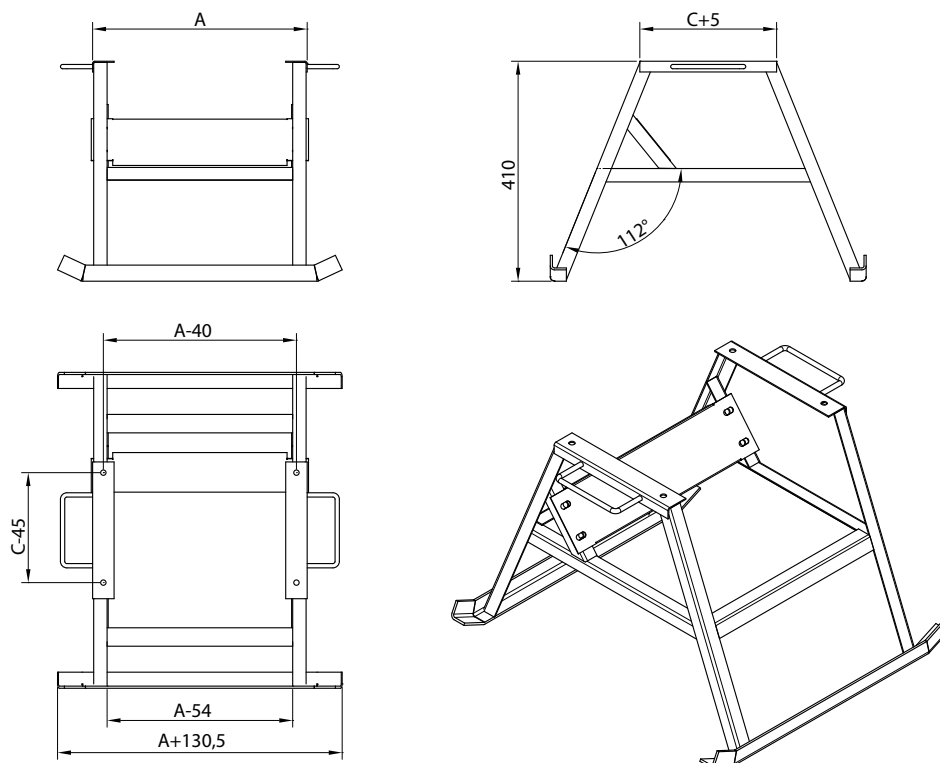
ANGLE BAR FOR FASTENING THE MOUNTING PLATE

MOUNTING PLATE

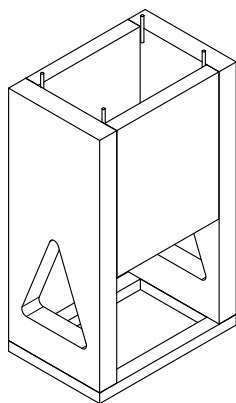
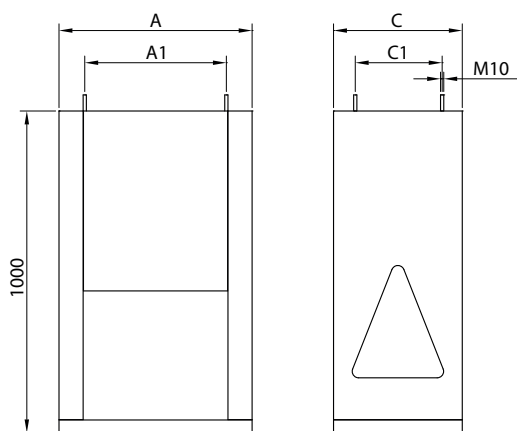


ZD-ZK - BOTTOM BLANK COVER



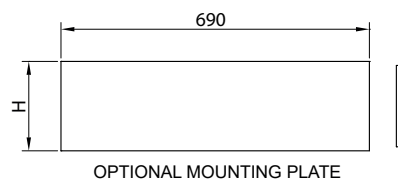
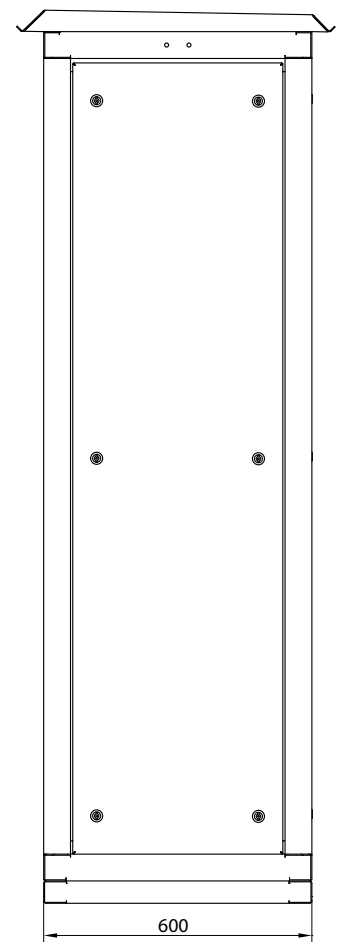
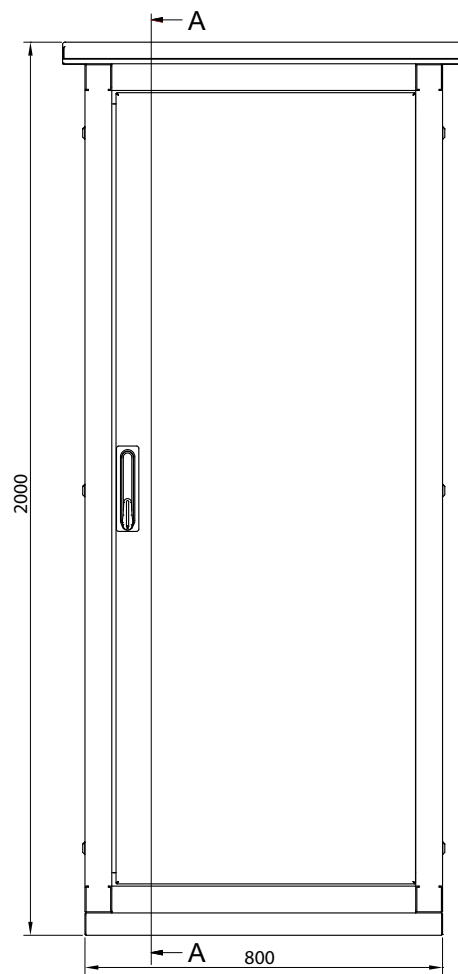
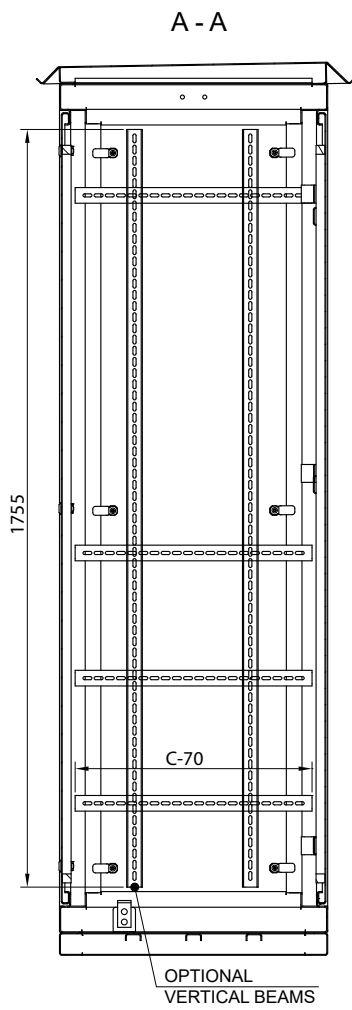
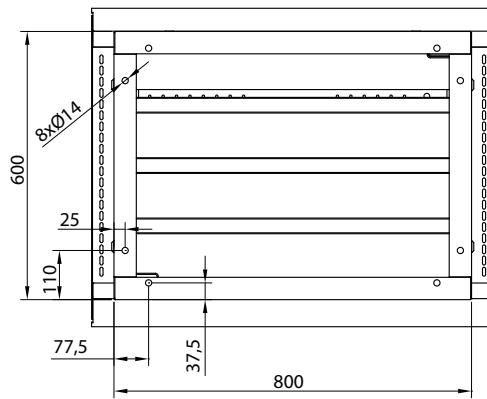


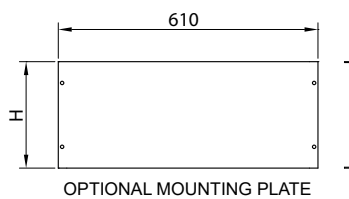
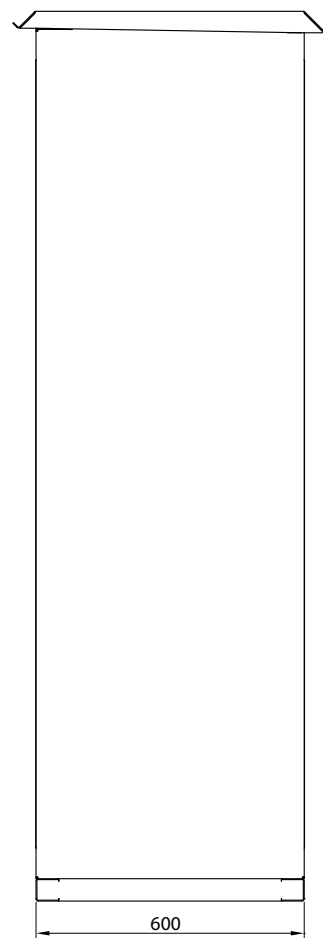
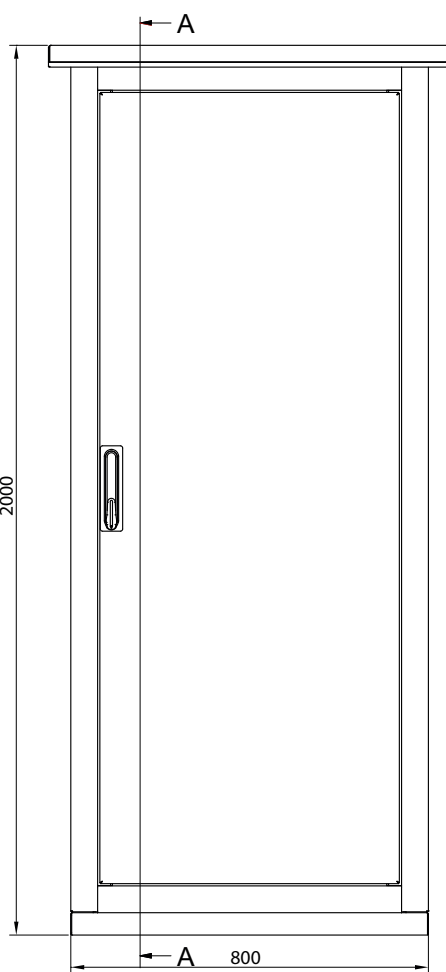
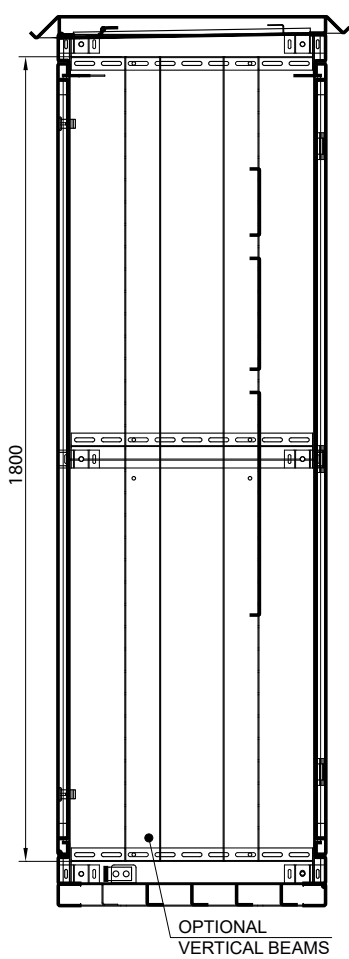
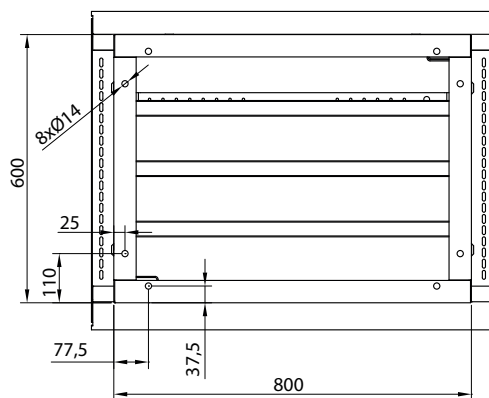
REINFORCED BASE STAND FOR ZK

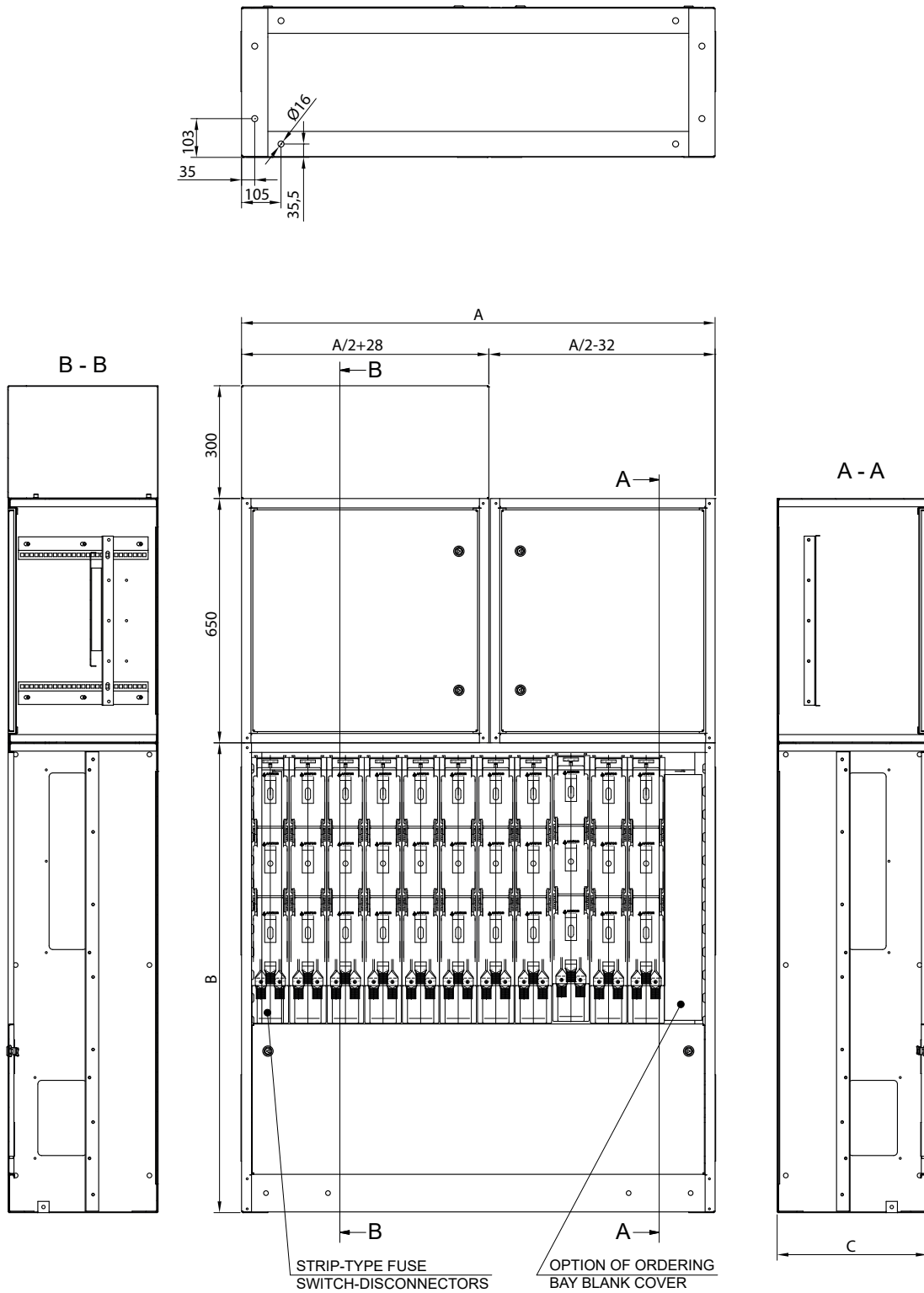


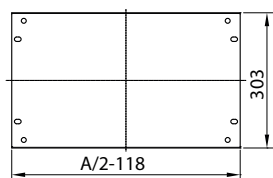
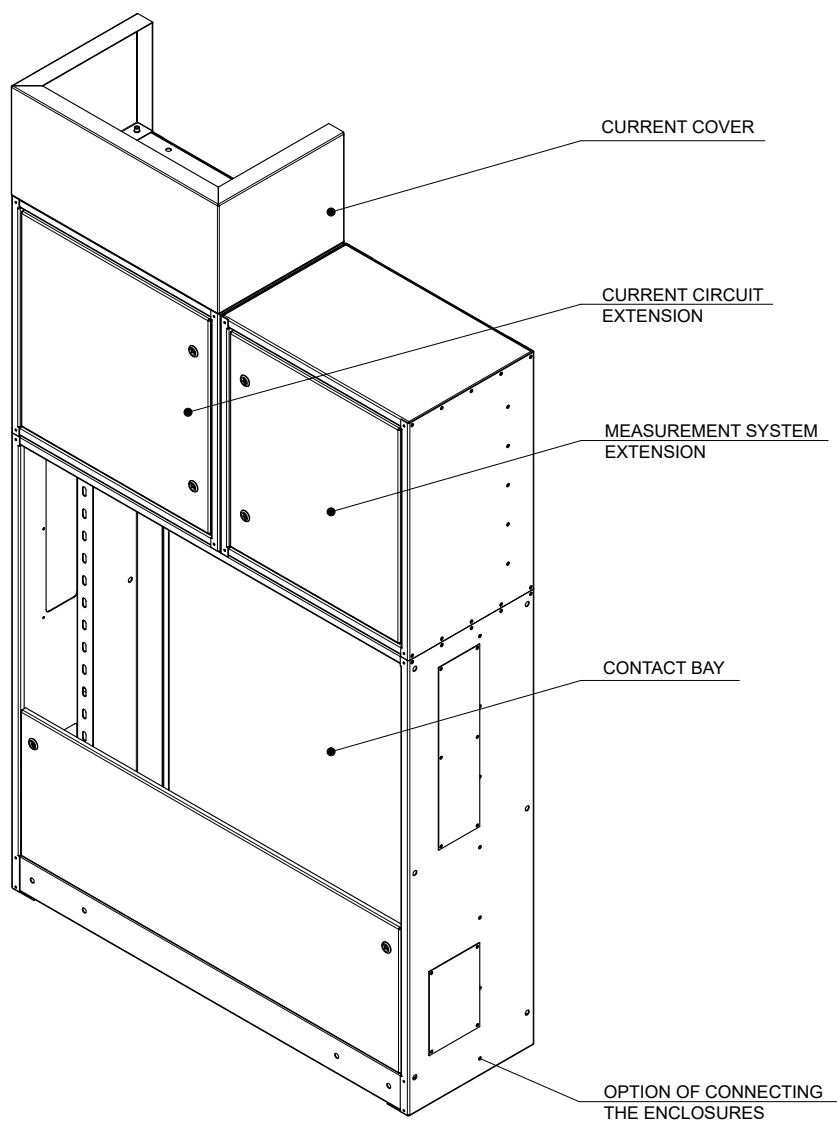
WIDTH x DEPTH A x C	PINS SPACING A1 x C1
400 x 250	240 x 130
500 x 250	340 x 130
600 x 250	440 x 130
800 x 250	660 x 130
850 x 250	690 x 130
1000 x 250	845 x 130
400 x 400	240 x 270
500 x 400	340 x 270
600 x 400	440 x 270
800 x 400	660 x 270
850 x 400	690 x 270
1000 x 400	845 x 270
1250 x 400	COMBINED WITH 850+400

REINFORCED CONCRETE FOUNDATION

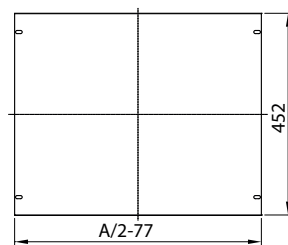




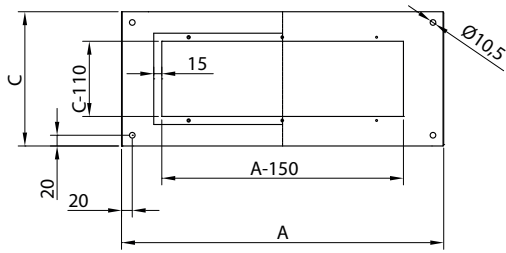




MOUNTING PLATE OF  
CURRENT CIRCUIT  
EXTENSION

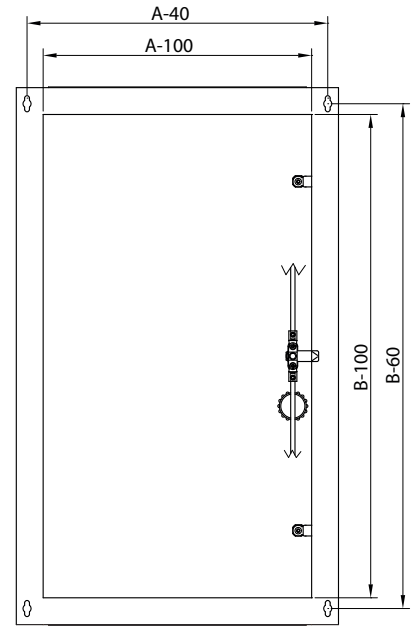
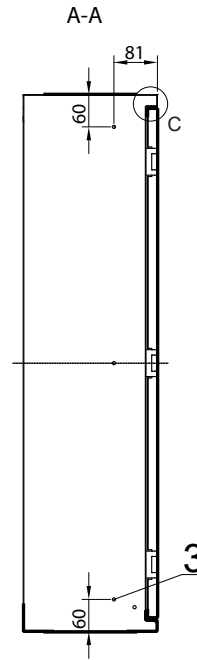
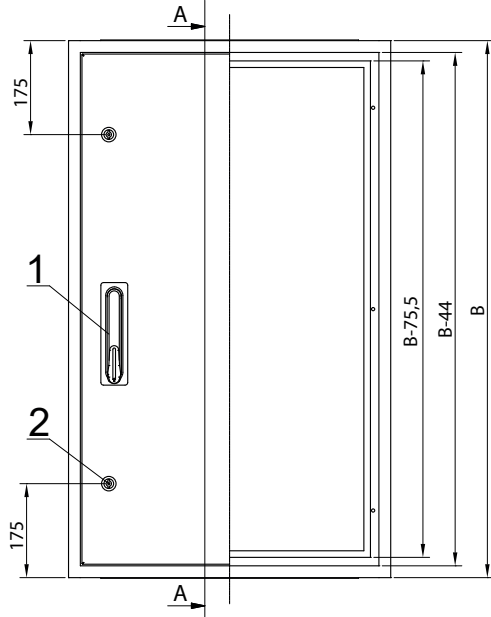
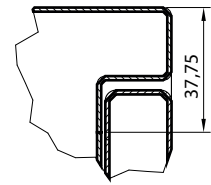


MOUNTING PLATE OF  
MEASUREMENT SYSTEM  
EXTENSION



A - WIDTH OF THE ENCLOSURE  
 B - HEIGHT OF THE ENCLOSURE  
 C - DEPTH OF THE ENCLOSURE

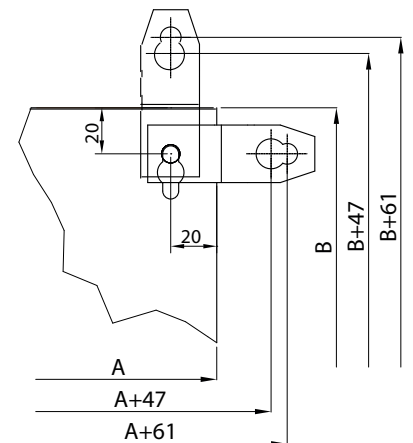
FIG. C  
 WALL BENDING PROFILE



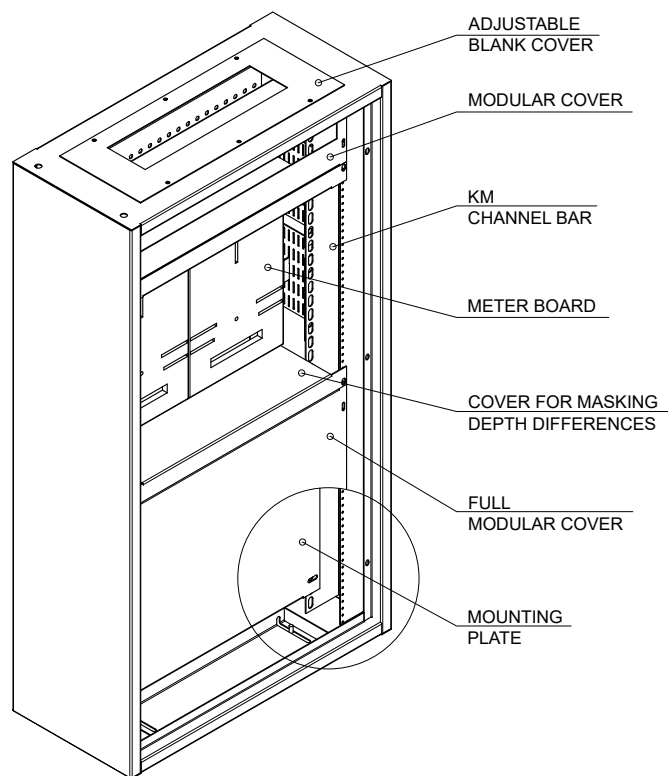
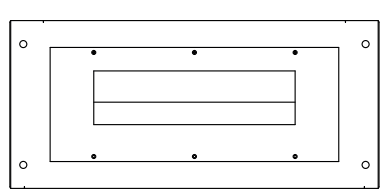
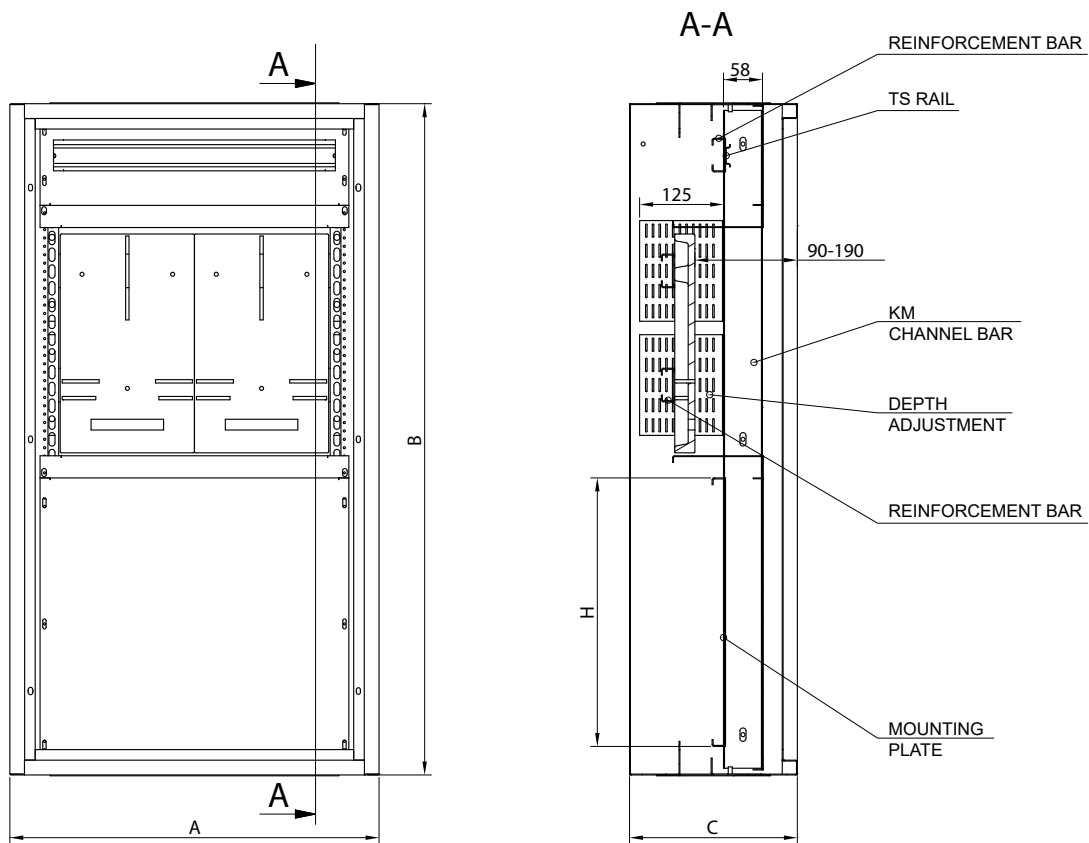
Spacing of mounting holes  
 when using wall brackets

- 1) Espagnolette lock is used in standing enclosures with height of 1600 mm or more
- 2) D5 lock is used in wall-mounted enclosures with height of 1400 mm or less
- 3) 8 M6x12 bolts for mounting carrying channel bar and the grounding

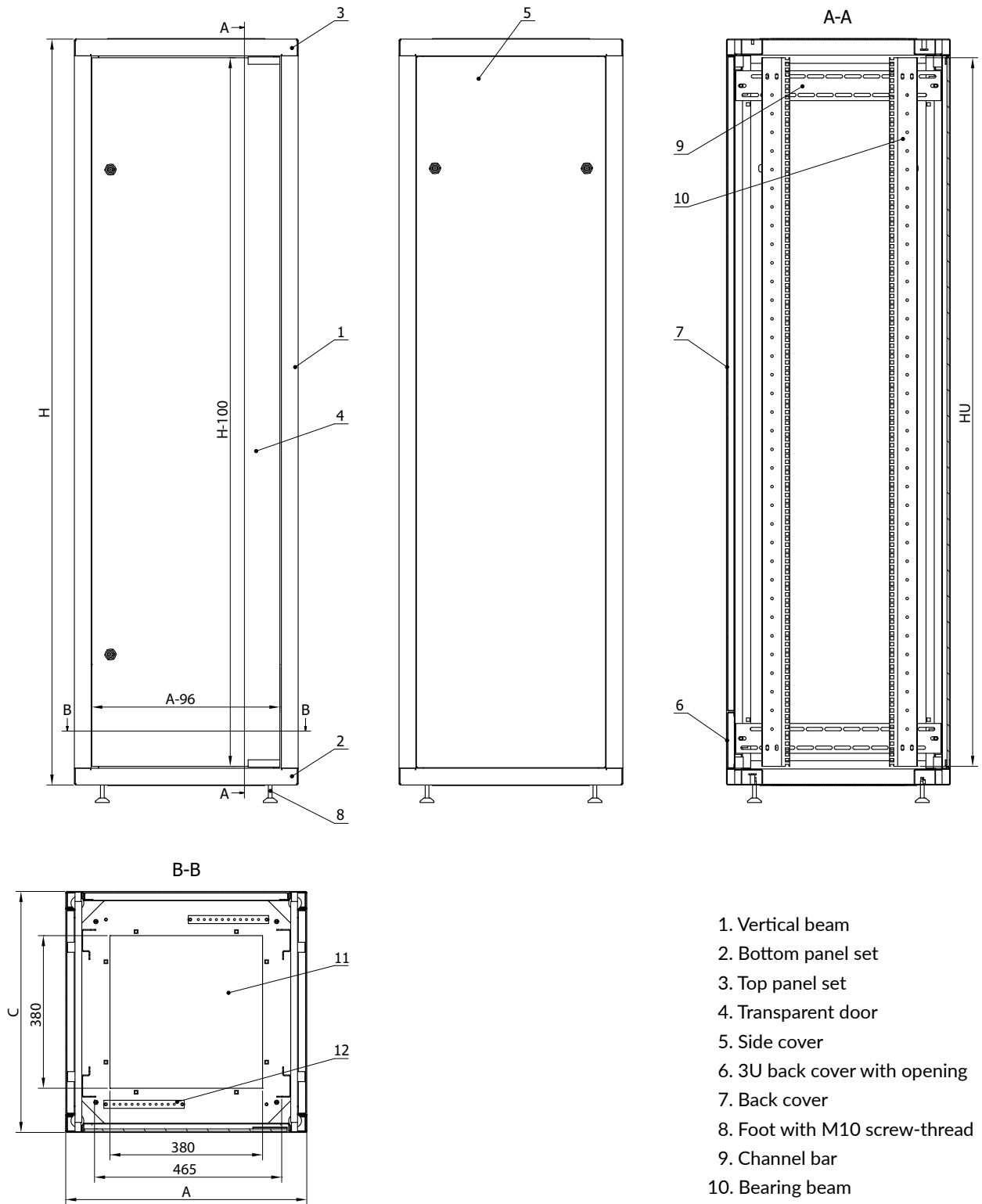
RWX Enclosure		Gland plate		Opening for a gland plate		No. of doors
Width	Depth	Width	Depth	Width	Depth	
350	150	-	-	-	-	1
	250	-	170	-	140	1
	300	230	220	200	190	1
	400	-	320	-	290	1
550	150	-	-	-	-	1
	250	-	170	-	140	1
	300	430	220	400	190	1
	400	-	320	-	290	1
750	150	-	-	-	-	1
	250	-	170	-	140	1
	300	630	220	600	190	1
	400	-	320	-	290	1
950	150	-	-	-	-	2
	250	-	170	-	140	2
	300	355	220	800	190	2
	400	-	320	-	290	2
1150	150	-	-	-	-	2
	250	-	170	-	140	2
	300	455	220	1000	190	2
	400	-	320	-	290	2



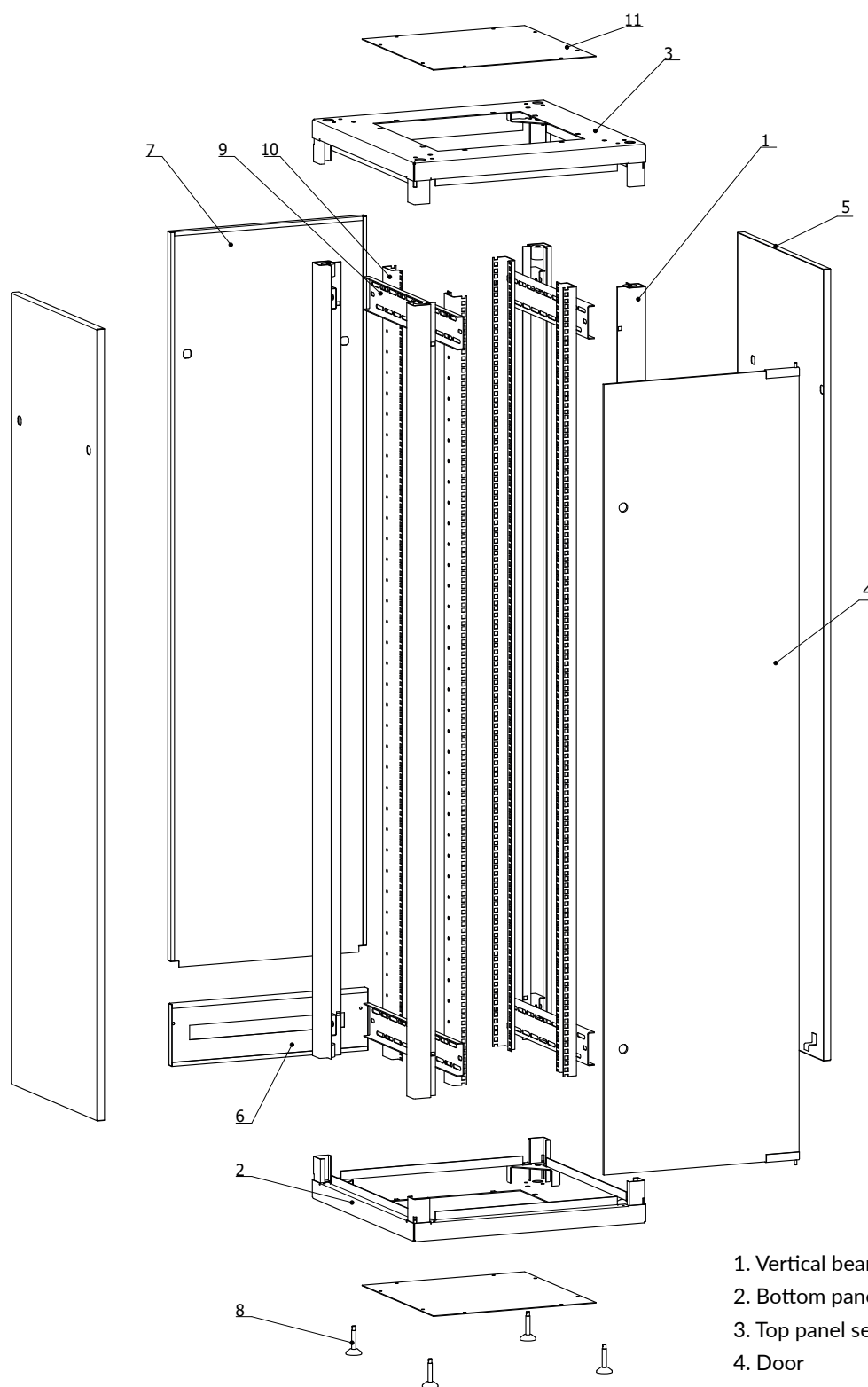




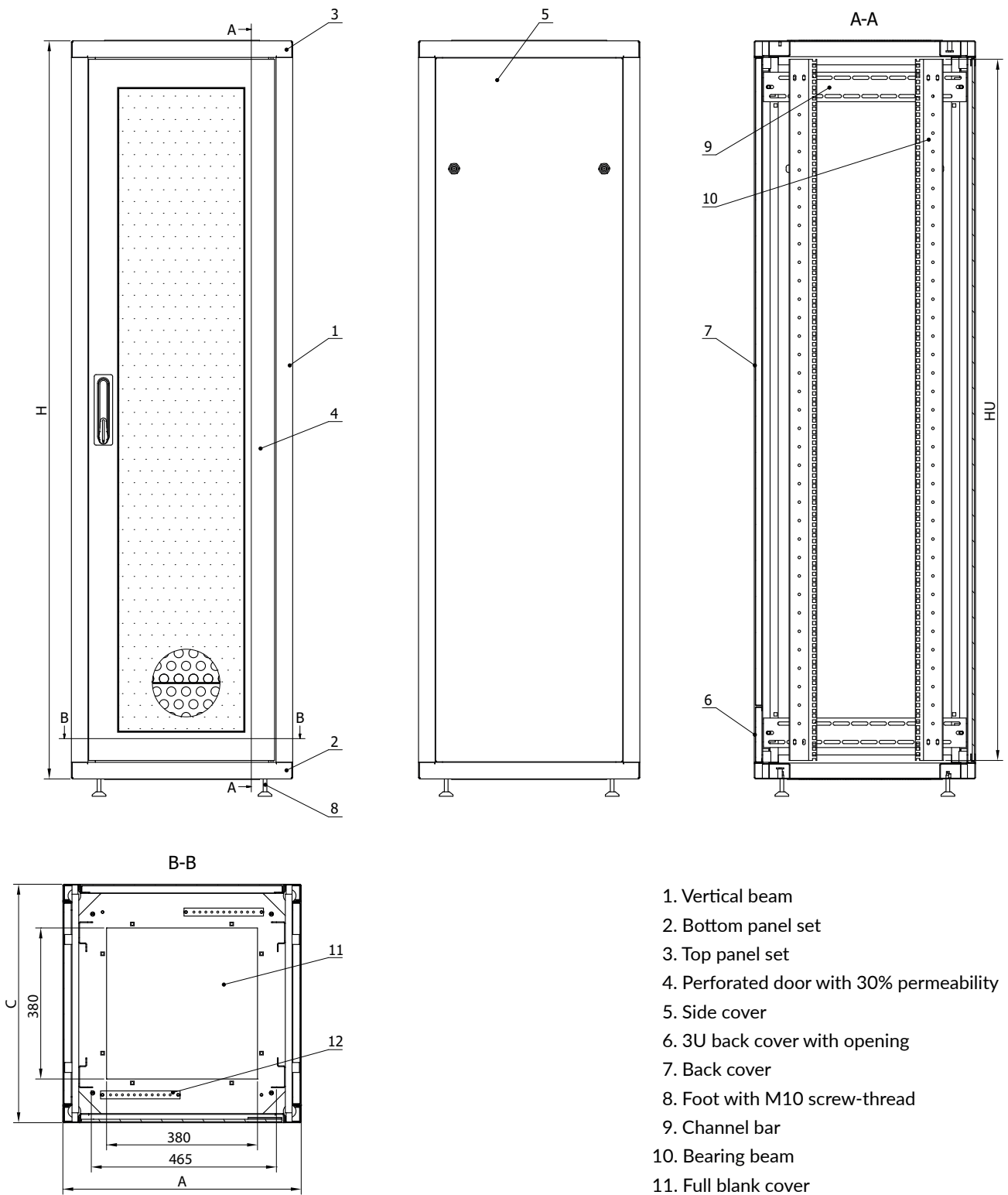
RWX - EXEMPLARY SETTING



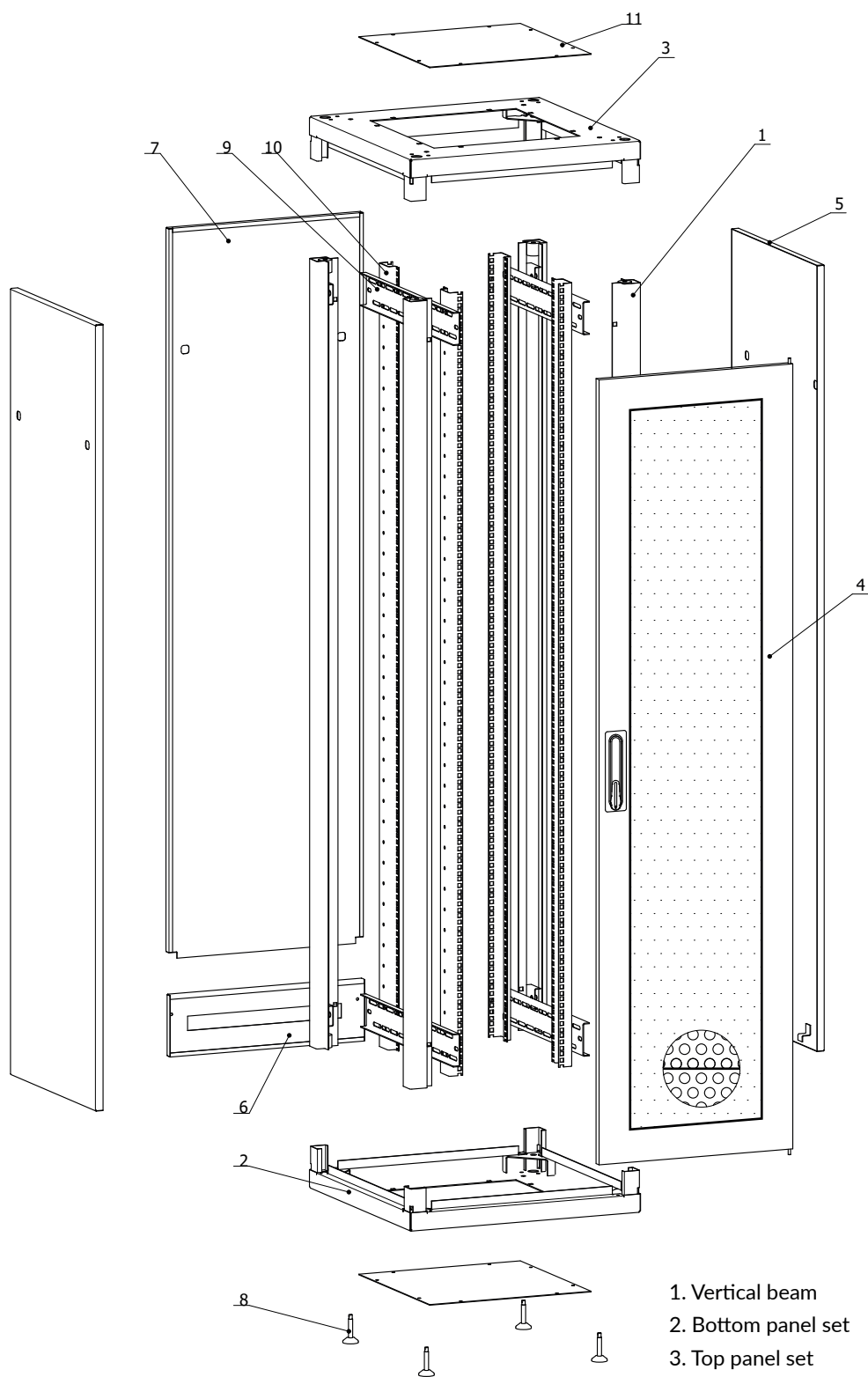
- 1. Vertical beam
- 2. Bottom panel set
- 3. Top panel set
- 4. Transparent door
- 5. Side cover
- 6. 3U back cover with opening
- 7. Back cover
- 8. Foot with M10 screw-thread
- 9. Channel bar
- 10. Bearing beam
- 11. Full blank cover
- 12. Grounding strip



1. Vertical beam
2. Bottom panel set
3. Top panel set
4. Door
5. Side cover
6. 3U back cover with opening
7. Back cover
8. Foot with M10 screw-thread
9. Channel bar
10. Bearing beam
11. Perforated blank cover



1. Vertical beam
2. Bottom panel set
3. Top panel set
4. Perforated door with 30% permeability
5. Side cover
6. 3U back cover with opening
7. Back cover
8. Foot with M10 screw-thread
9. Channel bar
10. Bearing beam
11. Full blank cover
12. Grounding strip



1. Vertical beam
2. Bottom panel set
3. Top panel set
4. Perforated door with 30% permeability
5. Side cover
6. 3U back cover with opening
7. Back cover
8. Foot with M10 screw-thread
9. Channel bar
10. Bearing beam
11. Perforated blank cover

# Catalogue number index

Catalogue No.	Page	Catalogue No.	Page	Catalogue No.	Page	Catalogue No.	Page	Catalogue No.	Page	Catalogue No.	Page
100-001	13	100-115	13	100-229	13	101-043	14	101-157	14	102-008	13
100-002	13	100-116	13	100-230	13	101-044	14	101-158	14	102-009	13
100-003	13	100-117	13	100-231	13	101-045	14	101-159	14	102-010	13
100-004	13	100-118	13	100-232	13	101-046	14	101-160	14	102-011	13
100-005	13	100-119	13	100-233	13	101-047	14	101-161	14	102-012	13
100-006	13	100-120	13	100-234	13	101-048	14	101-162	14	102-013	13
100-007	13	100-121	13	100-235	13	101-049	14	101-163	14	102-014	13
100-008	13	100-122	13	100-236	13	101-050	14	101-201	14	102-015	13
100-009	13	100-123	13	100-237	13	101-051	14	101-202	14	102-016	13
100-010	13	100-124	13	100-238	13	101-052	14	101-203	14	102-017	13
100-011	13	100-125	13	100-239	13	101-053	14	101-204	14	102-018	13
100-012	13	100-126	13	100-240	13	101-054	14	101-205	14	102-019	13
100-013	13	100-127	13	100-241	13	101-055	14	101-206	14	102-020	13
100-014	13	100-128	13	100-242	13	101-056	14	101-207	14	102-021	13
100-015	13	100-129	13	100-243	13	101-057	14	101-208	14	102-022	13
100-016	13	100-130	13	100-244	13	101-058	14	101-209	14	102-023	13
100-017	13	100-131	13	100-245	13	101-059	14	101-210	14	102-024	13
100-018	13	100-132	13	100-246	13	101-060	14	101-211	14	102-025	13
100-019	13	100-133	13	100-247	13	101-061	14	101-212	14	102-026	13
100-020	13	100-134	13	100-248	13	101-062	14	101-213	14	102-027	13
100-021	13	100-135	13	100-249	13	101-063	14	101-214	14	102-028	13
100-022	13	100-136	13	100-250	13	101-101	14	101-215	14	102-029	13
100-023	13	100-137	13	100-251	13	101-102	14	101-216	14	102-030	13
100-024	13	100-138	13	100-252	13	101-103	14	101-217	14	102-031	13
100-025	13	100-139	13	100-253	13	101-104	14	101-218	14	102-032	13
100-026	13	100-140	13	100-254	13	101-105	14	101-219	14	102-033	13
100-027	13	100-141	13	100-255	13	101-106	14	101-220	14	102-034	13
100-028	13	100-142	13	100-256	13	101-107	14	101-221	14	102-035	13
100-029	13	100-143	13	100-257	13	101-108	14	101-222	14	102-036	13
100-030	13	100-144	13	100-258	13	101-109	14	101-223	14	102-037	13
100-031	13	100-145	13	100-259	13	101-110	14	101-224	14	102-038	13
100-032	13	100-146	13	100-260	13	101-111	14	101-225	14	102-039	13
100-033	13	100-147	13	100-261	13	101-112	14	101-226	14	102-040	13
100-034	13	100-148	13	100-262	13	101-113	14	101-227	14	102-041	13
100-035	13	100-149	13	100-263	13	101-114	14	101-228	14	102-042	13
100-036	13	100-150	13	101-001	14	101-115	14	101-229	14	102-043	13
100-037	13	100-151	13	101-002	14	101-116	14	101-230	14	102-044	13
100-038	13	100-152	13	101-003	14	101-117	14	101-231	14	102-045	13
100-039	13	100-153	13	101-004	14	101-118	14	101-232	14	102-046	13
100-040	13	100-154	13	101-005	14	101-119	14	101-233	14	102-047	13
100-041	13	100-155	13	101-006	14	101-120	14	101-234	14	102-048	13
100-042	13	100-156	13	101-007	14	101-121	14	101-235	14	102-049	13
100-043	13	100-157	13	101-008	14	101-122	14	101-236	14	102-050	13
100-044	13	100-158	13	101-009	14	101-123	14	101-237	14	102-051	13
100-045	13	100-159	13	101-010	14	101-124	14	101-238	14	102-052	13
100-046	13	100-160	13	101-011	14	101-125	14	101-239	14	102-053	13
100-047	13	100-161	13	101-012	14	101-126	14	101-240	14	102-054	13
100-048	13	100-162	13	101-013	14	101-127	14	101-241	14	102-055	13
100-049	13	100-163	13	101-014	14	101-128	14	101-242	14	102-056	13
100-050	13	100-201	13	101-015	14	101-129	14	101-243	14	102-057	13
100-051	13	100-202	13	101-016	14	101-130	14	101-244	14	102-058	13
100-052	13	100-203	13	101-017	14	101-131	14	101-245	14	102-059	13
100-053	13	100-204	13	101-018	14	101-132	14	101-246	14	102-060	13
100-054	13	100-205	13	101-019	14	101-133	14	101-247	14	102-061	13
100-055	13	100-206	13	101-020	14	101-134	14	101-248	14	102-062	13
100-056	13	100-207	13	101-021	14	101-135	14	101-249	14	102-063	13
100-057	13	100-208	13	101-022	14	101-136	14	101-250	14	103-001	14
100-058	13	100-209	13	101-023	14	101-137	14	101-251	14	103-002	14
100-059	13	100-210	13	101-024	14	101-138	14	101-252	14	103-003	14
100-060	13	100-211	13	101-025	14	101-139	14	101-253	14	103-004	14
100-061	13	100-212	13	101-026	14	101-140	14	101-254	14	103-005	14
100-062	13	100-213	13	101-027	14	101-141	14	101-255	14	103-006	14
100-063	13	100-214	13	101-028	14	101-142	14	101-256	14	103-007	14
100-101	13	100-215	13	101-029	14	101-143	14	101-257	14	103-008	14
100-102	13	100-216	13	101-030	14	101-144	14	101-258	14	103-009	14
100-103	13	100-217	13	101-031	14	101-145	14	101-259	14	103-010	14
100-104	13	100-218	13	101-032	14	101-146	14	101-260	14	103-011	14
100-105	13	100-219	13	101-033	14	101-147	14	101-261	14	103-012	14
100-106	13	100-220	13	101-034	14	101-148	14	101-262	14	103-013	14
100-107	13	100-221	13	101-035	14	101-149	14	101-263	14	103-014	14
100-108	13	100-222	13	101-036	14	101-150	14	102-001	13	103-015	14
100-109	13	100-223	13	101-037	14	101-151	14	102-002	13	103-016	14
100-110	13	100-224	13	101-038	14	101-152	14	102-003	13	103-017	14
100-111	13	100-225	13	101-039	14	101-153	14	102-004	13	103-018	14
100-112	13	100-226	13	101-040	14	101-154	14	102-005	13	103-019	14
100-113	13	100-227	13	101-041	14	101-155	14	102-006	13	103-020	14
100-114	13	100-228	13	101-042	14	101-156	14	102-007	13	103-021	14

# Catalogue number index

Catalogue No.	Page	Catalogue No.	Page	Catalogue No.	Page	Catalogue No.	Page	Catalogue No.	Page	Catalogue No.	Page
103-022	14	104-036	13	104-150	13	105-101	14	106-015	95	108-003	103
103-023	14	104-037	13	104-151	13	105-102	14	106-016	95	108-004	103
103-024	14	104-038	13	104-152	13	105-103	14	106-017	95	108-005	103
103-025	14	104-039	13	104-153	13	105-104	14	106-018	95	108-006	103
103-026	14	104-040	13	104-154	13	105-105	14	106-019	95	108-007	103
103-027	14	104-041	13	104-155	13	105-106	14	106-020	95	108-008	103
103-028	14	104-042	13	104-156	13	105-107	14	106-021	95	108-009	103
103-029	14	104-043	13	104-157	13	105-108	14	106-022	95	108-010	103
103-030	14	104-044	13	104-158	13	105-109	14	106-023	95	108-011	103
103-031	14	104-045	13	104-159	13	105-110	14	106-024	95	108-012	103
103-032	14	104-046	13	104-160	13	105-111	14	106-101	94	108-013	103
103-033	14	104-047	13	104-161	13	105-112	14	106-102	94	108-014	103
103-034	14	104-048	13	104-162	13	105-113	14	106-103	94	108-015	103
103-035	14	104-049	13	104-163	13	105-114	14	106-104	94	108-016	103
103-036	14	104-050	13	105-001	14	105-115	14	106-105	94	108-017	103
103-037	14	104-051	13	105-002	14	105-116	14	106-106	94	108-018	103
103-038	14	104-052	13	105-003	14	105-117	14	106-107	94	108-019	103
103-039	14	104-053	13	105-004	14	105-118	14	106-108	94	108-020	103
103-040	14	104-054	13	105-005	14	105-119	14	106-201	94	108-021	103
103-041	14	104-055	13	105-006	14	105-120	14	106-202	94	108-022	103
103-042	14	104-056	13	105-007	14	105-121	14	106-203	94	108-023	103
103-043	14	104-057	13	105-008	14	105-122	14	106-204	94	108-024	103
103-044	14	104-058	13	105-009	14	105-123	14	106-205	94	109-001	107
103-045	14	104-059	13	105-010	14	105-124	14	106-301	94	109-002	107
103-046	14	104-060	13	105-011	14	105-125	14	106-302	94	109-003	107
103-047	14	104-061	13	105-012	14	105-126	14	106-303	94	109-004	107
103-048	14	104-062	13	105-013	14	105-127	14	106-304	94	109-005	107
103-049	14	104-063	13	105-014	14	105-128	14	106-305	94	109-006	107
103-050	14	104-101	13	105-015	14	105-129	14	106-306	94	109-007	107
103-051	14	104-102	13	105-016	14	105-130	14	106-307	94	109-008	107
103-052	14	104-103	13	105-017	14	105-131	14	106-401	100	109-009	107
103-053	14	104-104	13	105-018	14	105-132	14	106-402	100	109-010	107
103-054	14	104-105	13	105-019	14	105-133	14	106-403	100	109-011	107
103-055	14	104-106	13	105-020	14	105-134	14	106-404	100	109-012	107
103-056	14	104-107	13	105-021	14	105-135	14	106-405	100	109-013	107
103-057	14	104-108	13	105-022	14	105-136	14	106-406	100	109-014	107
103-058	14	104-109	13	105-023	14	105-137	14	106-407	100	109-015	107
103-059	14	104-110	13	105-024	14	105-138	14	106-408	100	109-016	107
103-060	14	104-111	13	105-025	14	105-139	14	106-409	100	109-017	107
103-061	14	104-112	13	105-026	14	105-140	14	106-410	100	109-018	107
103-062	14	104-113	13	105-027	14	105-141	14	106-411	100	109-019	107
103-063	14	104-114	13	105-028	14	105-142	14	106-412	100	109-020	107
104-001	13	104-115	13	105-029	14	105-143	14	106-413	100	109-021	107
104-002	13	104-116	13	105-030	14	105-144	14	106-414	100	109-022	107
104-003	13	104-117	13	105-031	14	105-145	14	106-415	100	110-001	115
104-004	13	104-118	13	105-032	14	105-146	14	106-416	100	110-002	115
104-005	13	104-119	13	105-033	14	105-147	14	106-417	100	110-003	115
104-006	13	104-120	13	105-034	14	105-148	14	106-418	100	110-004	115
104-007	13	104-121	13	105-035	14	105-149	14	106-419	100	110-005	115
104-008	13	104-122	13	105-036	14	105-150	14	106-420	100	110-006	115
104-009	13	104-123	13	105-037	14	105-151	14	106-421	100	110-007	115
104-010	13	104-124	13	105-038	14	105-152	14	106-422	100	110-008	115
104-011	13	104-125	13	105-039	14	105-153	14	106-423	100	110-009	115
104-012	13	104-126	13	105-040	14	105-154	14	107-001	95	110-010	115
104-013	13	104-127	13	105-041	14	105-155	14	107-002	95	110-011	115
104-014	13	104-128	13	105-042	14	105-156	14	107-003	95	110-012	115
104-015	13	104-129	13	105-043	14	105-157	14	107-004	95	110-013	115
104-016	13	104-130	13	105-044	14	105-158	14	107-005	95	110-014	115
104-017	13	104-131	13	105-045	14	105-159	14	107-006	95	110-015	115
104-018	13	104-132	13	105-046	14	105-160	14	107-007	95	110-016	115
104-019	13	104-133	13	105-047	14	105-161	14	107-008	95	111-001	120
104-020	13	104-134	13	105-048	14	105-162	14	107-009	95	111-002	120
104-021	13	104-135	13	105-049	14	105-163	14	107-010	95	111-003	120
104-022	13	104-136	13	105-050	14	106-001	95	107-011	95	111-004	120
104-023	13	104-137	13	105-051	14	106-002	95	107-012	95	112-001	100
104-024	13	104-138	13	105-052	14	106-003	95	107-013	95	112-002	100
104-025	13	104-139	13	105-053	14	106-004	95	107-014	95	112-003	100
104-026	13	104-140	13	105-054	14	106-005	95	107-015	95	112-004	100
104-027	13	104-141	13	105-055	14	106-006	95	107-016	95	112-005	100
104-028	13	104-142	13	105-056	14	106-007	95	107-017	95	112-006	100
104-029	13	104-143	13	105-057	14	106-008	95	107-018	95	112-007	100
104-030	13	104-144	13	105-058	14	106-009	95	107-019	95	113-001	101
104-031	13	104-145	13	105-059	14	106-010	95	107-020	95	113-002	101
104-032	13	104-146	13	105-060	14	106-011	95	107-021	95	113-003	101
104-033	13	104-147	13	105-061	14	106-012	95	107-022	95	113-004	101
104-034	13	104-148	13	105-062	14	106-013	95	107-023	95	113-005	101
104-035	13	104-149	13	105-063	14	106-014	95	107-024	95	113-006	101

# Catalogue number index

Catalogue No.	Page	Catalogue No.	Page	Catalogue No.	Page	Catalogue No.	Page	Catalogue No.	Page	Catalogue No.	Page
113-007	101	116-046	32	116-160	32	116-311	33	117-101	35	118-054	16
114-001	97	116-047	32	116-161	32	116-312	33	117-102	35	118-055	16
114-002	97	116-048	32	116-162	32	116-313	33	117-103	35	118-056	16
114-003	97	116-049	32	116-163	32	116-314	33	117-104	35	118-057	16
114-004	97	116-050	32	116-201	33	116-315	33	117-105	35	118-058	16
114-005	97	116-051	32	116-202	33	116-316	33	117-106	35	118-059	16
114-006	97	116-052	32	116-203	33	116-317	33	117-107	35	118-060	16
114-007	97	116-053	32	116-204	33	116-318	33	117-108	35	118-061	16
114-008	97	116-054	32	116-205	33	116-319	33	117-109	35	118-062	16
114-009	97	116-055	32	116-206	33	116-320	33	117-110	35	118-063	16
114-010	97	116-056	32	116-207	33	116-321	33	117-111	35	118-101	16
114-011	97	116-057	32	116-208	33	116-322	33	117-112	35	118-102	16
114-012	97	116-058	32	116-209	33	116-323	33	117-113	35	118-103	16
114-013	97	116-059	32	116-210	33	116-324	33	117-114	35	118-104	16
114-014	97	116-060	32	116-211	33	116-325	33	117-115	35	118-105	16
114-015	97	116-061	32	116-212	33	116-326	33	117-116	35	118-106	16
115-001	115	116-062	32	116-213	33	116-327	33	117-117	35	118-107	16
115-002	115	116-063	32	116-214	33	116-328	33	117-118	35	118-108	16
115-003	115	116-101	32	116-215	33	116-329	33	117-119	35	118-109	16
115-004	115	116-102	32	116-216	33	116-330	33	117-120	35	118-110	16
115-005	115	116-103	32	116-217	33	116-331	33	117-121	35	118-111	16
115-006	115	116-104	32	116-218	33	116-332	33	117-122	35	118-112	16
115-007	115	116-105	32	116-219	33	116-333	33	117-123	35	118-113	16
115-008	115	116-106	32	116-220	33	116-334	33	117-124	35	118-114	16
115-009	115	116-107	32	116-221	33	116-335	33	118-001	16	118-115	16
115-010	115	116-108	32	116-222	33	116-336	33	118-002	16	118-116	16
115-011	115	116-109	32	116-223	33	116-337	33	118-003	16	118-117	16
115-012	115	116-110	32	116-224	33	116-338	33	118-004	16	118-118	16
115-013	115	116-111	32	116-225	33	116-339	33	118-005	16	118-119	16
115-014	115	116-112	32	116-226	33	116-340	33	118-006	16	118-120	16
115-015	115	116-113	32	116-227	33	116-341	33	118-007	16	118-121	16
115-016	115	116-114	32	116-228	33	116-342	33	118-008	16	118-122	16
116-001	32	116-115	32	116-229	33	116-343	33	118-009	16	118-123	16
116-002	32	116-116	32	116-230	33	116-344	33	118-010	16	118-124	16
116-003	32	116-117	32	116-231	33	116-345	33	118-011	16	118-125	16
116-004	32	116-118	32	116-232	33	116-346	33	118-012	16	118-126	16
116-005	32	116-119	32	116-233	33	116-347	33	118-013	16	118-127	16
116-006	32	116-120	32	116-234	33	116-348	33	118-014	16	118-128	16
116-007	32	116-121	32	116-235	33	116-349	33	118-015	16	118-129	16
116-008	32	116-122	32	116-236	33	116-350	33	118-016	16	118-130	16
116-009	32	116-123	32	116-237	33	116-351	33	118-017	16	118-131	16
116-010	32	116-124	32	116-238	33	116-352	33	118-018	16	118-132	16
116-011	32	116-125	32	116-239	33	116-353	33	118-019	16	118-133	16
116-012	32	116-126	32	116-240	33	116-354	33	118-020	16	118-134	16
116-013	32	116-127	32	116-241	33	116-355	33	118-021	16	118-135	16
116-014	32	116-128	32	116-242	33	116-356	33	118-022	16	118-136	16
116-015	32	116-129	32	116-243	33	116-357	33	118-023	16	118-137	16
116-016	32	116-130	32	116-244	33	116-358	33	118-024	16	118-138	16
116-017	32	116-131	32	116-245	33	116-359	33	118-025	16	118-139	16
116-018	32	116-132	32	116-246	33	116-360	33	118-026	16	118-140	16
116-019	32	116-133	32	116-247	33	116-361	33	118-027	16	118-141	16
116-020	32	116-134	32	116-248	33	116-362	33	118-028	16	118-142	16
116-021	32	116-135	32	116-249	33	116-363	33	118-029	16	118-143	16
116-022	32	116-136	32	116-250	33	117-001	35	118-030	16	118-144	16
116-023	32	116-137	32	116-251	33	117-002	35	118-031	16	118-145	16
116-024	32	116-138	32	116-252	33	117-003	35	118-032	16	118-146	16
116-025	32	116-139	32	116-253	33	117-004	35	118-033	16	118-147	16
116-026	32	116-140	32	116-254	33	117-005	35	118-034	16	118-148	16
116-027	32	116-141	32	116-255	33	117-006	35	118-035	16	118-149	16
116-028	32	116-142	32	116-256	33	117-007	35	118-036	16	118-150	16
116-029	32	116-143	32	116-257	33	117-008	35	118-037	16	118-151	16
116-030	32	116-144	32	116-258	33	117-009	35	118-038	16	118-152	16
116-031	32	116-145	32	116-259	33	117-010	35	118-039	16	118-153	16
116-032	32	116-146	32	116-260	33	117-011	35	118-040	16	118-154	16
116-033	32	116-147	32	116-261	33	117-012	35	118-041	16	118-155	16
116-034	32	116-148	32	116-262	33	117-013	35	118-042	16	118-156	16
116-035	32	116-149	32	116-263	33	117-014	35	118-043	16	118-157	16
116-036	32	116-150	32	116-301	33	117-015	35	118-044	16	118-158	16
116-037	32	116-151	32	116-302	33	117-016	35	118-045	16	118-159	16
116-038	32	116-152	32	116-303	33	117-017	35	118-046	16	118-160	16
116-039	32	116-153	32	116-304	33	117-018	35	118-047	16	118-161	16
116-040	32	116-154	32	116-305	33	117-019	35	118-048	16	118-162	16
116-041	32	116-155	32	116-306	33	117-020	35	118-049	16	118-163	16
116-042	32	116-156	32	116-307	33	117-021	35	118-050	16	118-201	16
116-043	32	116-157	32	116-308	33	117-022	35	118-051	16	118-202	16
116-044	32	116-158	32	116-309	33	117-023	35	118-052	16	118-203	16
116-045	32	116-159	32	116-310	33	117-024	35	118-053	16	118-204	16



# Catalogue number index

Catalogue No.	Page	Catalogue No.	Page	Catalogue No.	Page	Catalogue No.	Page	Catalogue No.	Page	Catalogue No.	Page
118-205	16	118-319	16	118-433	25	118-547	25	118-661	25	118-812	16
118-206	16	118-320	16	118-434	25	118-548	25	118-662	25	118-813	16
118-207	16	118-321	16	118-435	25	118-549	25	118-663	25	118-814	16
118-208	16	118-322	16	118-436	25	118-550	25	118-701	25	118-815	16
118-209	16	118-323	16	118-437	25	118-551	25	118-702	25	118-816	16
118-210	16	118-324	16	118-438	25	118-552	25	118-703	25	118-817	16
118-211	16	118-325	16	118-439	25	118-553	25	118-704	25	118-818	16
118-212	16	118-326	16	118-440	25	118-554	25	118-705	25	118-819	16
118-213	16	118-327	16	118-441	25	118-555	25	118-706	25	118-820	16
118-214	16	118-328	16	118-442	25	118-556	25	118-707	25	118-821	16
118-215	16	118-329	16	118-443	25	118-557	25	118-708	25	118-822	16
118-216	16	118-330	16	118-444	25	118-558	25	118-709	25	118-823	16
118-217	16	118-331	16	118-445	25	118-559	25	118-710	25	118-824	16
118-218	16	118-332	16	118-446	25	118-560	25	118-711	25	118-825	16
118-219	16	118-333	16	118-447	25	118-561	25	118-712	25	118-826	16
118-220	16	118-334	16	118-448	25	118-562	25	118-713	25	118-827	16
118-221	16	118-335	16	118-449	25	118-563	25	118-714	25	118-828	16
118-222	16	118-336	16	118-450	25	118-601	25	118-715	25	118-829	16
118-223	16	118-337	16	118-451	25	118-602	25	118-716	25	118-830	16
118-224	16	118-338	16	118-452	25	118-603	25	118-717	25	118-831	16
118-225	16	118-339	16	118-453	25	118-604	25	118-718	25	118-832	16
118-226	16	118-340	16	118-454	25	118-605	25	118-719	25	118-833	16
118-227	16	118-341	16	118-455	25	118-606	25	118-720	25	118-834	16
118-228	16	118-342	16	118-456	25	118-607	25	118-721	25	118-835	16
118-229	16	118-343	16	118-457	25	118-608	25	118-722	25	118-836	16
118-230	16	118-344	16	118-458	25	118-609	25	118-723	25	118-837	16
118-231	16	118-345	16	118-459	25	118-610	25	118-724	25	118-838	16
118-232	16	118-346	16	118-460	25	118-611	25	118-725	25	118-839	16
118-233	16	118-347	16	118-461	25	118-612	25	118-726	25	118-840	16
118-234	16	118-348	16	118-462	25	118-613	25	118-727	25	118-841	16
118-235	16	118-349	16	118-463	25	118-614	25	118-728	25	118-842	16
118-236	16	118-350	16	118-501	25	118-615	25	118-729	25	118-843	16
118-237	16	118-351	16	118-502	25	118-616	25	118-730	25	118-844	16
118-238	16	118-352	16	118-503	25	118-617	25	118-731	25	118-845	16
118-239	16	118-353	16	118-504	25	118-618	25	118-732	25	118-846	16
118-240	16	118-354	16	118-505	25	118-619	25	118-733	25	118-847	16
118-241	16	118-355	16	118-506	25	118-620	25	118-734	25	118-848	16
118-242	16	118-356	16	118-507	25	118-621	25	118-735	25	118-849	16
118-243	16	118-357	16	118-508	25	118-622	25	118-736	25	118-850	16
118-244	16	118-358	16	118-509	25	118-623	25	118-737	25	118-851	16
118-245	16	118-359	16	118-510	25	118-624	25	118-738	25	118-852	16
118-246	16	118-360	16	118-511	25	118-625	25	118-739	25	118-853	16
118-247	16	118-361	16	118-512	25	118-626	25	118-740	25	118-854	16
118-248	16	118-362	16	118-513	25	118-627	25	118-741	25	118-855	16
118-249	16	118-363	16	118-514	25	118-628	25	118-742	25	118-856	16
118-250	16	118-401	25	118-515	25	118-629	25	118-743	25	118-857	16
118-251	16	118-402	25	118-516	25	118-630	25	118-744	25	118-858	16
118-252	16	118-403	25	118-517	25	118-631	25	118-745	25	118-859	16
118-253	16	118-404	25	118-518	25	118-632	25	118-746	25	118-860	16
118-254	16	118-405	25	118-519	25	118-633	25	118-747	25	118-861	16
118-255	16	118-406	25	118-520	25	118-634	25	118-748	25	118-862	16
118-256	16	118-407	25	118-521	25	118-635	25	118-749	25	118-863	16
118-257	16	118-408	25	118-522	25	118-636	25	118-750	25	119-001	17
118-258	16	118-409	25	118-523	25	118-637	25	118-751	25	119-002	17
118-259	16	118-410	25	118-524	25	118-638	25	118-752	25	119-003	17
118-260	16	118-411	25	118-525	25	118-639	25	118-753	25	119-004	17
118-261	16	118-412	25	118-526	25	118-640	25	118-754	25	119-005	17
118-262	16	118-413	25	118-527	25	118-641	25	118-755	25	119-006	17
118-263	16	118-414	25	118-528	25	118-642	25	118-756	25	119-007	17
118-301	16	118-415	25	118-529	25	118-643	25	118-757	25	119-008	17
118-302	16	118-416	25	118-530	25	118-644	25	118-758	25	119-009	17
118-303	16	118-417	25	118-531	25	118-645	25	118-759	25	119-010	17
118-304	16	118-418	25	118-532	25	118-646	25	118-760	25	119-011	17
118-305	16	118-419	25	118-533	25	118-647	25	118-761	25	119-012	17
118-306	16	118-420	25	118-534	25	118-648	25	118-762	25	119-013	17
118-307	16	118-421	25	118-535	25	118-649	25	118-763	25	119-014	17
118-308	16	118-422	25	118-536	25	118-650	25	118-801	16	119-015	17
118-309	16	118-423	25	118-537	25	118-651	25	118-802	16	119-016	17
118-310	16	118-424	25	118-538	25	118-652	25	118-803	16	119-017	17
118-311	16	118-425	25	118-539	25	118-653	25	118-804	16	119-018	17
118-312	16	118-426	25	118-540	25	118-654	25	118-805	16	119-019	17
118-313	16	118-427	25	118-541	25	118-655	25	118-806	16	119-020	17
118-314	16	118-428	25	118-542	25	118-656	25	118-807	16	119-021	17
118-315	16	118-429	25	118-543	25	118-657	25	118-808	16	119-022	17
118-316	16	118-430	25	118-544	25	118-658	25	118-809	16	119-023	17
118-317	16	118-431	25	118-545	25	118-659	25	118-810	16	119-024	17
118-318	16	118-432	25	118-546	25	118-660	25	118-811	16	119-025	17

# Catalogue number index

Catalogue No.	Page	Catalogue No.	Page	Catalogue No.	Page	Catalogue No.	Page	Catalogue No.	Page	Catalogue No.	Page
119-026	17	119-140	17	119-254	17	119-405	26	119-520	26	119-634	26
119-027	17	119-141	17	119-255	17	119-406	26	119-521	26	119-635	26
119-028	17	119-142	17	119-256	17	119-407	26	119-522	26	119-636	26
119-029	17	119-143	17	119-257	17	119-408	26	119-523	26	119-637	26
119-030	17	119-144	17	119-258	17	119-409	26	119-524	26	119-638	26
119-031	17	119-145	17	119-259	17	119-410	26	119-525	26	119-639	26
119-032	17	119-146	17	119-260	17	119-411	26	119-526	26	119-640	26
119-033	17	119-147	17	119-261	17	119-412	26	119-527	26	119-641	26
119-034	17	119-148	17	119-262	17	119-413	26	119-528	26	119-642	26
119-035	17	119-149	17	119-263	17	119-414	26	119-529	26	119-643	26
119-036	17	119-150	17	119-301	17	119-415	26	119-530	26	119-644	26
119-037	17	119-151	17	119-302	17	119-416	26	119-531	26	119-645	26
119-038	17	119-152	17	119-303	17	119-417	26	119-532	26	119-646	26
119-039	17	119-153	17	119-304	17	119-418	26	119-533	26	119-647	26
119-040	17	119-154	17	119-305	17	119-419	26	119-534	26	119-648	26
119-041	17	119-155	17	119-306	17	119-420	26	119-535	26	119-649	26
119-042	17	119-156	17	119-307	17	119-421	26	119-536	26	119-650	26
119-043	17	119-157	17	119-308	17	119-422	26	119-537	26	119-651	26
119-044	17	119-158	17	119-309	17	119-423	26	119-538	26	119-652	26
119-045	17	119-159	17	119-310	17	119-424	26	119-539	26	119-653	26
119-046	17	119-160	17	119-311	17	119-425	26	119-540	26	119-654	26
119-047	17	119-161	17	119-312	17	119-426	26	119-541	26	119-655	26
119-048	17	119-162	17	119-313	17	119-427	26	119-542	26	119-656	26
119-049	17	119-163	17	119-314	17	119-428	26	119-543	26	119-657	26
119-050	17	119-201	17	119-315	17	119-429	26	119-544	26	119-658	26
119-051	17	119-202	17	119-316	17	119-430	26	119-545	26	119-659	26
119-052	17	119-203	17	119-317	17	119-431	26	119-546	26	119-660	26
119-053	17	119-204	17	119-318	17	119-432	26	119-547	26	119-661	26
119-054	17	119-205	17	119-319	17	119-433	26	119-548	26	119-662	26
119-055	17	119-206	17	119-320	17	119-434	26	119-549	26	119-663	26
119-056	17	119-207	17	119-321	17	119-435	26	119-550	26	119-701	26
119-057	17	119-208	17	119-322	17	119-436	26	119-551	26	119-702	26
119-058	17	119-209	17	119-323	17	119-437	26	119-552	26	119-703	26
119-059	17	119-210	17	119-324	17	119-438	26	119-553	26	119-704	26
119-060	17	119-211	17	119-325	17	119-439	26	119-554	26	119-705	26
119-061	17	119-212	17	119-326	17	119-440	26	119-555	26	119-706	26
119-062	17	119-213	17	119-327	17	119-441	26	119-556	26	119-707	26
119-063	17	119-214	17	119-328	17	119-442	26	119-557	26	119-708	26
119-101	17	119-215	17	119-329	17	119-443	26	119-558	26	119-709	26
119-102	17	119-216	17	119-330	17	119-444	26	119-559	26	119-710	26
119-103	17	119-217	17	119-331	17	119-445	26	119-560	26	119-711	26
119-104	17	119-218	17	119-332	17	119-446	26	119-561	26	119-712	26
119-105	17	119-219	17	119-333	17	119-447	26	119-562	26	119-713	26
119-106	17	119-220	17	119-334	17	119-448	26	119-563	26	119-714	26
119-107	17	119-221	17	119-335	17	119-449	26	119-601	26	119-715	26
119-108	17	119-222	17	119-336	17	119-450	26	119-602	26	119-716	26
119-109	17	119-223	17	119-337	17	119-451	26	119-603	26	119-717	26
119-110	17	119-224	17	119-338	17	119-452	26	119-604	26	119-718	26
119-111	17	119-225	17	119-339	17	119-453	26	119-605	26	119-719	26
119-112	17	119-226	17	119-340	17	119-454	26	119-606	26	119-720	26
119-113	17	119-227	17	119-341	17	119-455	26	119-607	26	119-721	26
119-114	17	119-228	17	119-342	17	119-456	26	119-608	26	119-722	26
119-115	17	119-229	17	119-343	17	119-457	26	119-609	26	119-723	26
119-116	17	119-230	17	119-344	17	119-458	26	119-610	26	119-724	26
119-117	17	119-231	17	119-345	17	119-459	26	119-611	26	119-725	26
119-118	17	119-232	17	119-346	17	119-460	26	119-612	26	119-726	26
119-119	17	119-233	17	119-347	17	119-461	26	119-613	26	119-727	26
119-120	17	119-234	17	119-348	17	119-462	26	119-614	26	119-728	26
119-121	17	119-235	17	119-349	17	119-501	26	119-615	26	119-729	26
119-122	17	119-236	17	119-350	17	119-502	26	119-616	26	119-730	26
119-123	17	119-237	17	119-351	17	119-503	26	119-617	26	119-731	26
119-124	17	119-238	17	119-352	17	119-504	26	119-618	26	119-732	26
119-125	17	119-239	17	119-353	17	119-505	26	119-619	26	119-733	26
119-126	17	119-240	17	119-354	17	119-506	26	119-620	26	119-734	26
119-127	17	119-241	17	119-355	17	119-507	26	119-621	26	119-735	26
119-128	17	119-242	17	119-356	17	119-508	26	119-622	26	119-736	26
119-129	17	119-243	17	119-357	17	119-509	26	119-623	26	119-737	26
119-130	17	119-244	17	119-358	17	119-510	26	119-624	26	119-738	26
119-131	17	119-245	17	119-359	17	119-511	26	119-625	26	119-739	26
119-132	17	119-246	17	119-360	17	119-512	26	119-626	26	119-740	26
119-133	17	119-247	17	119-361	17	119-513	26	119-627	26	119-741	26
119-134	17	119-248	17	119-362	17	119-514	26	119-628	26	119-742	26
119-135	17	119-249	17	119-363	17	119-515	26	119-629	26	119-743	26
119-136	17	119-250	17	119-401	26	119-516	26	119-630	26	119-744	26
119-137	17	119-251	17	119-402	26	119-517	26	119-631	26	119-745	26
119-138	17	119-252	17	119-403	26	119-518	26	119-632	26	119-746	26
119-139	17	119-253	17	119-404	26	119-519	26	119-633	26	119-747	26

# Catalogue number index

Catalogue No.	Page	Catalogue No.	Page	Catalogue No.	Page	Catalogue No.	Page	Catalogue No.	Page	Catalogue No.	Page
119-748	26	119-862	17	120-113	19	120-227	19	121-041	20	121-155	20
119-749	26	119-863	17	120-114	19	120-228	19	121-042	20	121-156	20
119-750	26	120-001	19	120-115	19	120-229	19	121-043	20	121-157	20
119-751	26	120-002	19	120-116	19	120-230	19	121-044	20	121-158	20
119-752	26	120-003	19	120-117	19	120-231	19	121-045	20	121-159	20
119-753	26	120-004	19	120-118	19	120-232	19	121-046	20	121-160	20
119-754	26	120-005	19	120-119	19	120-233	19	121-047	20	121-161	20
119-755	26	120-006	19	120-120	19	120-234	19	121-048	20	121-162	20
119-756	26	120-007	19	120-121	19	120-235	19	121-049	20	121-163	20
119-757	26	120-008	19	120-122	19	120-236	19	121-050	20	121-201	20
119-758	26	120-009	19	120-123	19	120-237	19	121-051	20	121-202	20
119-759	26	120-010	19	120-124	19	120-238	19	121-052	20	121-203	20
119-760	26	120-011	19	120-125	19	120-239	19	121-053	20	121-204	20
119-761	26	120-012	19	120-126	19	120-240	19	121-054	20	121-205	20
119-762	26	120-013	19	120-127	19	120-241	19	121-055	20	121-206	20
119-763	26	120-014	19	120-128	19	120-242	19	121-056	20	121-207	20
119-801	17	120-015	19	120-129	19	120-243	19	121-057	20	121-208	20
119-802	17	120-016	19	120-130	19	120-244	19	121-058	20	121-209	20
119-803	17	120-017	19	120-131	19	120-245	19	121-059	20	121-210	20
119-804	17	120-018	19	120-132	19	120-246	19	121-060	20	121-211	20
119-805	17	120-019	19	120-133	19	120-247	19	121-061	20	121-212	20
119-806	17	120-020	19	120-134	19	120-248	19	121-062	20	121-213	20
119-807	17	120-021	19	120-135	19	120-249	19	121-063	20	121-214	20
119-808	17	120-022	19	120-136	19	120-250	19	121-101	20	121-215	20
119-809	17	120-023	19	120-137	19	120-251	19	121-102	20	121-216	20
119-810	17	120-024	19	120-138	19	120-252	19	121-103	20	121-217	20
119-811	17	120-025	19	120-139	19	120-253	19	121-104	20	121-218	20
119-812	17	120-026	19	120-140	19	120-254	19	121-105	20	121-219	20
119-813	17	120-027	19	120-141	19	120-255	19	121-106	20	121-220	20
119-814	17	120-028	19	120-142	19	120-256	19	121-107	20	121-221	20
119-815	17	120-029	19	120-143	19	120-257	19	121-108	20	121-222	20
119-816	17	120-030	19	120-144	19	120-258	19	121-109	20	121-223	20
119-817	17	120-031	19	120-145	19	120-259	19	121-110	20	121-224	20
119-818	17	120-032	19	120-146	19	120-260	19	121-111	20	121-225	20
119-819	17	120-033	19	120-147	19	120-261	19	121-112	20	121-226	20
119-820	17	120-034	19	120-148	19	120-262	19	121-113	20	121-227	20
119-821	17	120-035	19	120-149	19	120-263	19	121-114	20	121-228	20
119-822	17	120-036	19	120-150	19	121-001	20	121-115	20	121-229	20
119-823	17	120-037	19	120-151	19	121-002	20	121-116	20	121-230	20
119-824	17	120-038	19	120-152	19	121-003	20	121-117	20	121-231	20
119-825	17	120-039	19	120-153	19	121-004	20	121-118	20	121-232	20
119-826	17	120-040	19	120-154	19	121-005	20	121-119	20	121-233	20
119-827	17	120-041	19	120-155	19	121-006	20	121-120	20	121-234	20
119-828	17	120-042	19	120-156	19	121-007	20	121-121	20	121-235	20
119-829	17	120-043	19	120-157	19	121-008	20	121-122	20	121-236	20
119-830	17	120-044	19	120-158	19	121-009	20	121-123	20	121-237	20
119-831	17	120-045	19	120-159	19	121-010	20	121-124	20	121-238	20
119-832	17	120-046	19	120-160	19	121-011	20	121-125	20	121-239	20
119-833	17	120-047	19	120-161	19	121-012	20	121-126	20	121-240	20
119-834	17	120-048	19	120-162	19	121-013	20	121-127	20	121-241	20
119-835	17	120-049	19	120-163	19	121-014	20	121-128	20	121-242	20
119-836	17	120-050	19	120-201	19	121-015	20	121-129	20	121-243	20
119-837	17	120-051	19	120-202	19	121-016	20	121-130	20	121-244	20
119-838	17	120-052	19	120-203	19	121-017	20	121-131	20	121-245	20
119-839	17	120-053	19	120-204	19	121-018	20	121-132	20	121-246	20
119-840	17	120-054	19	120-205	19	121-019	20	121-133	20	121-247	20
119-841	17	120-055	19	120-206	19	121-020	20	121-134	20	121-248	20
119-842	17	120-056	19	120-207	19	121-021	20	121-135	20	121-249	20
119-843	17	120-057	19	120-208	19	121-022	20	121-136	20	121-250	20
119-844	17	120-058	19	120-209	19	121-023	20	121-137	20	121-251	20
119-845	17	120-059	19	120-210	19	121-024	20	121-138	20	121-252	20
119-846	17	120-060	19	120-211	19	121-025	20	121-139	20	121-253	20
119-847	17	120-061	19	120-212	19	121-026	20	121-140	20	121-254	20
119-848	17	120-062	19	120-213	19	121-027	20	121-141	20	121-255	20
119-849	17	120-063	19	120-214	19	121-028	20	121-142	20	121-256	20
119-850	17	120-101	19	120-215	19	121-029	20	121-143	20	121-257	20
119-851	17	120-102	19	120-216	19	121-030	20	121-144	20	121-258	20
119-852	17	120-103	19	120-217	19	121-031	20	121-145	20	121-259	20
119-853	17	120-104	19	120-218	19	121-032	20	121-146	20	121-260	20
119-854	17	120-105	19	120-219	19	121-033	20	121-147	20	121-261	20
119-855	17	120-106	19	120-220	19	121-034	20	121-148	20	121-262	20
119-856	17	120-107	19	120-221	19	121-035	20	121-149	20	122-001	19
119-857	17	120-108	19	120-222	19	121-036	20	121-150	20	122-002	19
119-858	17	120-109	19	120-223	19	121-037	20	121-151	20	122-003	19
119-859	17	120-110	19	120-224	19	121-038	20	121-152	20	122-004	19
119-860	17	120-111	19	120-225	19	121-039	20	121-153	20	122-005	19
119-861	17	120-112	19	120-226	19	121-040	20	121-154	20	122-006	19

Catalogue No.	Page	Catalogue No.	Page	Catalogue No.	Page	Catalogue No.	Page	Catalogue No.	Page	Catalogue No.	Page
122-007	19	123-021	20	124-035	19	124-149	19	125-063	20	126-014	22
122-008	19	123-022	20	124-036	19	124-150	19	125-101	20	126-015	22
122-009	19	123-023	20	124-037	19	124-151	19	125-102	20	126-016	22
122-010	19	123-024	20	124-038	19	124-152	19	125-103	20	126-017	22
122-011	19	123-025	20	124-039	19	124-153	19	125-104	20	126-018	22
122-012	19	123-026	20	124-040	19	124-154	19	125-105	20	126-019	22
122-013	19	123-027	20	124-041	19	124-155	19	125-106	20	126-020	22
122-014	19	123-028	20	124-042	19	124-156	19	125-107	20	126-021	22
122-015	19	123-029	20	124-043	19	124-157	19	125-108	20	126-022	22
122-016	19	123-030	20	124-044	19	124-158	19	125-109	20	126-023	22
122-017	19	123-031	20	124-045	19	124-159	19	125-110	20	126-024	22
122-018	19	123-032	20	124-046	19	124-160	19	125-111	20	126-025	22
122-019	19	123-033	20	124-047	19	124-161	19	125-112	20	126-026	22
122-020	19	123-034	20	124-048	19	124-162	19	125-113	20	126-027	22
122-021	19	123-035	20	124-049	19	124-163	19	125-114	20	126-028	22
122-022	19	123-036	20	124-050	19	125-001	20	125-115	20	126-029	22
122-023	19	123-037	20	124-051	19	125-002	20	125-116	20	126-030	22
122-024	19	123-038	20	124-052	19	125-003	20	125-117	20	126-031	22
122-025	19	123-039	20	124-053	19	125-004	20	125-118	20	126-032	22
122-026	19	123-040	20	124-054	19	125-005	20	125-119	20	126-033	22
122-027	19	123-041	20	124-055	19	125-006	20	125-120	20	126-034	22
122-028	19	123-042	20	124-056	19	125-007	20	125-121	20	126-035	22
122-029	19	123-043	20	124-057	19	125-008	20	125-122	20	126-036	22
122-030	19	123-044	20	124-058	19	125-009	20	125-123	20	126-037	22
122-031	19	123-045	20	124-059	19	125-010	20	125-124	20	126-038	22
122-032	19	123-046	20	124-060	19	125-011	20	125-125	20	126-039	22
122-033	19	123-047	20	124-061	19	125-012	20	125-126	20	126-040	22
122-034	19	123-048	20	124-062	19	125-013	20	125-127	20	126-041	22
122-035	19	123-049	20	124-063	19	125-014	20	125-128	20	126-042	22
122-036	19	123-050	20	124-101	19	125-015	20	125-129	20	126-043	22
122-037	19	123-051	20	124-102	19	125-016	20	125-130	20	126-044	22
122-038	19	123-052	20	124-103	19	125-017	20	125-131	20	126-045	22
122-039	19	123-053	20	124-104	19	125-018	20	125-132	20	126-046	22
122-040	19	123-054	20	124-105	19	125-019	20	125-133	20	126-047	22
122-041	19	123-055	20	124-106	19	125-020	20	125-134	20	126-048	22
122-042	19	123-056	20	124-107	19	125-021	20	125-135	20	126-049	22
122-043	19	123-057	20	124-108	19	125-022	20	125-136	20	126-050	22
122-044	19	123-058	20	124-109	19	125-023	20	125-137	20	126-051	22
122-045	19	123-059	20	124-110	19	125-024	20	125-138	20	126-052	22
122-046	19	123-060	20	124-111	19	125-025	20	125-139	20	126-053	22
122-047	19	123-061	20	124-112	19	125-026	20	125-140	20	126-054	22
122-048	19	123-062	20	124-113	19	125-027	20	125-141	20	126-055	22
122-049	19	123-063	20	124-114	19	125-028	20	125-142	20	126-056	22
122-050	19	124-001	19	124-115	19	125-029	20	125-143	20	126-057	22
122-051	19	124-002	19	124-116	19	125-030	20	125-144	20	126-058	22
122-052	19	124-003	19	124-117	19	125-031	20	125-145	20	126-059	22
122-053	19	124-004	19	124-118	19	125-032	20	125-146	20	126-060	22
122-054	19	124-005	19	124-119	19	125-033	20	125-147	20	126-061	22
122-055	19	124-006	19	124-120	19	125-034	20	125-148	20	126-062	22
122-056	19	124-007	19	124-121	19	125-035	20	125-149	20	126-063	22
122-057	19	124-008	19	124-122	19	125-036	20	125-150	20	126-101	22
122-058	19	124-009	19	124-123	19	125-037	20	125-151	20	126-102	22
122-059	19	124-010	19	124-124	19	125-038	20	125-152	20	126-103	22
122-060	19	124-011	19	124-125	19	125-039	20	125-153	20	126-104	22
122-061	19	124-012	19	124-126	19	125-040	20	125-154	20	126-105	22
122-062	19	124-013	19	124-127	19	125-041	20	125-155	20	126-106	22
122-063	19	124-014	19	124-128	19	125-042	20	125-156	20	126-107	22
123-001	20	124-015	19	124-129	19	125-043	20	125-157	20	126-108	22
123-002	20	124-016	19	124-130	19	125-044	20	125-158	20	126-109	22
123-003	20	124-017	19	124-131	19	125-045	20	125-159	20	126-110	22
123-004	20	124-018	19	124-132	19	125-046	20	125-160	20	126-111	22
123-005	20	124-019	19	124-133	19	125-047	20	125-161	20	126-112	22
123-006	20	124-020	19	124-134	19	125-048	20	125-162	20	126-113	22
123-007	20	124-021	19	124-135	19	125-049	20	125-163	20	126-114	22
123-008	20	124-022	19	124-136	19	125-050	20	126-001	22	126-115	22
123-009	20	124-023	19	124-137	19	125-051	20	126-002	22	126-116	22
123-010	20	124-024	19	124-138	19	125-052	20	126-003	22	126-117	22
123-011	20	124-025	19	124-139	19	125-053	20	126-004	22	126-118	22
123-012	20	124-026	19	124-140	19	125-054	20	126-005	22	126-119	22
123-013	20	124-027	19	124-141	19	125-055	20	126-006	22	126-120	22
123-014	20	124-028	19	124-142	19	125-056	20	126-007	22	126-121	22
123-015	20	124-029	19	124-143	19	125-057	20	126-008	22	126-122	22
123-016	20	124-030	19	124-144	19	125-058	20	126-009	22	126-123	22
123-017	20	124-031	19	124-145	19	125-059	20	126-010	22	126-124	22
123-018	20	124-032	19	124-146	19	125-060	20	126-011	22	126-125	22
123-019	20	124-033	19	124-147	19	125-061	20	126-012	22	126-126	22
123-020	20	124-034	19	124-148	19	125-062	20	126-013	22	126-127	22

# Catalogue number index

Catalogue No.	Page	Catalogue No.	Page	Catalogue No.	Page	Catalogue No.	Page	Catalogue No.	Page	Catalogue No.	Page
126-128	22	126-242	22	126-356	22	127-007	23	127-121	23	127-235	23
126-129	22	126-243	22	126-357	22	127-008	23	127-122	23	127-236	23
126-130	22	126-244	22	126-358	22	127-009	23	127-123	23	127-237	23
126-131	22	126-245	22	126-359	22	127-010	23	127-124	23	127-238	23
126-132	22	126-246	22	126-360	22	127-011	23	127-125	23	127-239	23
126-133	22	126-247	22	126-361	22	127-012	23	127-126	23	127-240	23
126-134	22	126-248	22	126-362	22	127-013	23	127-127	23	127-241	23
126-135	22	126-249	22	126-363	22	127-014	23	127-128	23	127-242	23
126-136	22	126-250	22	126-401	22	127-015	23	127-129	23	127-243	23
126-137	22	126-251	22	126-402	22	127-016	23	127-130	23	127-244	23
126-138	22	126-252	22	126-403	22	127-017	23	127-131	23	127-245	23
126-139	22	126-253	22	126-404	22	127-018	23	127-132	23	127-246	23
126-140	22	126-254	22	126-405	22	127-019	23	127-133	23	127-247	23
126-141	22	126-255	22	126-406	22	127-020	23	127-134	23	127-248	23
126-142	22	126-256	22	126-407	22	127-021	23	127-135	23	127-249	23
126-143	22	126-257	22	126-408	22	127-022	23	127-136	23	127-250	23
126-144	22	126-258	22	126-409	22	127-023	23	127-137	23	127-251	23
126-145	22	126-259	22	126-410	22	127-024	23	127-138	23	127-252	23
126-146	22	126-260	22	126-411	22	127-025	23	127-139	23	127-253	23
126-147	22	126-261	22	126-412	22	127-026	23	127-140	23	127-254	23
126-148	22	126-262	22	126-413	22	127-027	23	127-141	23	127-255	23
126-149	22	126-263	22	126-414	22	127-028	23	127-142	23	127-256	23
126-150	22	126-301	22	126-415	22	127-029	23	127-143	23	127-257	23
126-151	22	126-302	22	126-416	22	127-030	23	127-144	23	127-258	23
126-152	22	126-303	22	126-417	22	127-031	23	127-145	23	127-259	23
126-153	22	126-304	22	126-418	22	127-032	23	127-146	23	127-260	23
126-154	22	126-305	22	126-419	22	127-033	23	127-147	23	127-261	23
126-155	22	126-306	22	126-420	22	127-034	23	127-148	23	127-262	23
126-156	22	126-307	22	126-421	22	127-035	23	127-149	23	127-263	23
126-157	22	126-308	22	126-422	22	127-036	23	127-150	23	127-301	23
126-158	22	126-309	22	126-423	22	127-037	23	127-151	23	127-302	23
126-159	22	126-310	22	126-424	22	127-038	23	127-152	23	127-303	23
126-160	22	126-311	22	126-425	22	127-039	23	127-153	23	127-304	23
126-161	22	126-312	22	126-426	22	127-040	23	127-154	23	127-305	23
126-162	22	126-313	22	126-427	22	127-041	23	127-155	23	127-306	23
126-163	22	126-314	22	126-428	22	127-042	23	127-156	23	127-307	23
126-201	22	126-315	22	126-429	22	127-043	23	127-157	23	127-308	23
126-202	22	126-316	22	126-430	22	127-044	23	127-158	23	127-309	23
126-203	22	126-317	22	126-431	22	127-045	23	127-159	23	127-310	23
126-204	22	126-318	22	126-432	22	127-046	23	127-160	23	127-311	23
126-205	22	126-319	22	126-433	22	127-047	23	127-161	23	127-312	23
126-206	22	126-320	22	126-434	22	127-048	23	127-162	23	127-313	23
126-207	22	126-321	22	126-435	22	127-049	23	127-163	23	127-314	23
126-208	22	126-322	22	126-436	22	127-050	23	127-201	23	127-315	23
126-209	22	126-323	22	126-437	22	127-051	23	127-202	23	127-316	23
126-210	22	126-324	22	126-438	22	127-052	23	127-203	23	127-317	23
126-211	22	126-325	22	126-439	22	127-053	23	127-204	23	127-318	23
126-212	22	126-326	22	126-440	22	127-054	23	127-205	23	127-319	23
126-213	22	126-327	22	126-441	22	127-055	23	127-206	23	127-320	23
126-214	22	126-328	22	126-442	22	127-056	23	127-207	23	127-321	23
126-215	22	126-329	22	126-443	22	127-057	23	127-208	23	127-322	23
126-216	22	126-330	22	126-444	22	127-058	23	127-209	23	127-323	23
126-217	22	126-331	22	126-445	22	127-059	23	127-210	23	127-324	23
126-218	22	126-332	22	126-446	22	127-060	23	127-211	23	127-325	23
126-219	22	126-333	22	126-447	22	127-061	23	127-212	23	127-326	23
126-220	22	126-334	22	126-448	22	127-062	23	127-213	23	127-327	23
126-221	22	126-335	22	126-449	22	127-063	23	127-214	23	127-328	23
126-222	22	126-336	22	126-450	22	127-101	23	127-215	23	127-329	23
126-223	22	126-337	22	126-451	22	127-102	23	127-216	23	127-330	23
126-224	22	126-338	22	126-452	22	127-103	23	127-217	23	127-331	23
126-225	22	126-339	22	126-453	22	127-104	23	127-218	23	127-332	23
126-226	22	126-340	22	126-454	22	127-105	23	127-219	23	127-333	23
126-227	22	126-341	22	126-455	22	127-106	23	127-220	23	127-334	23
126-228	22	126-342	22	126-456	22	127-107	23	127-221	23	127-335	23
126-229	22	126-343	22	126-457	22	127-108	23	127-222	23	127-336	23
126-230	22	126-344	22	126-458	22	127-109	23	127-223	23	127-337	23
126-231	22	126-345	22	126-459	22	127-110	23	127-224	23	127-338	23
126-232	22	126-346	22	126-460	22	127-111	23	127-225	23	127-339	23
126-233	22	126-347	22	126-461	22	127-112	23	127-226	23	127-340	23
126-234	22	126-348	22	126-462	22	127-113	23	127-227	23	127-341	23
126-235	22	126-349	22	126-463	22	127-114	23	127-228	23	127-342	23
126-236	22	126-350	22	127-001	23	127-115	23	127-229	23	127-343	23
126-237	22	126-351	22	127-002	23	127-116	23	127-230	23	127-344	23
126-238	22	126-352	22	127-003	23	127-117	23	127-231	23	127-345	23
126-239	22	126-353	22	127-004	23	127-118	23	127-232	23	127-346	23
126-240	22	126-354	22	127-005	23	127-119	23	127-233	23	127-347	23
126-241	22	126-355	22	127-006	23	127-120	23	127-234	23	127-348	23

Catalogue No.	Page	Catalogue No.	Page	Catalogue No.	Page	Catalogue No.	Page	Catalogue No.	Page	Catalogue No.	Page
127-349	23	127-463	23	130-017	103	135-008	116	140-036	28	141-017	28
127-350	23	128-001	96	130-018	103	135-009	116	140-037	28	141-018	28
127-351	23	128-002	96	130-019	103	135-010	116	140-038	28	141-019	28
127-352	23	128-003	96	130-020	103	135-011	116	140-039	28	141-020	28
127-353	23	128-004	96	130-021	103	135-012	116	140-040	28	141-021	28
127-354	23	128-005	96	130-022	103	135-013	116	140-041	28	141-022	28
127-355	23	128-006	96	130-023	103	135-014	116	140-042	28	141-023	28
127-356	23	128-007	96	130-024	103	135-015	116	140-043	28	141-024	28
127-357	23	128-008	96	131-001	107	135-016	116	140-044	28	141-025	28
127-358	23	128-009	96	131-002	107	135-017	116	140-045	28	141-026	28
127-359	23	128-010	96	131-003	107	135-018	116	140-046	28	141-027	28
127-360	23	128-011	96	131-004	107	135-019	116	140-047	28	141-028	28
127-361	23	128-012	96	131-005	107	135-020	116	140-048	28	141-029	28
127-362	23	128-013	96	131-006	107	136-001	97	140-101	28	141-030	28
127-363	23	128-014	96	131-007	107	136-002	97	140-102	28	141-031	28
127-401	23	128-015	96	131-008	107	136-003	97	140-103	28	141-032	28
127-402	23	128-016	96	131-009	107	136-004	97	140-104	28	141-033	28
127-403	23	128-017	96	131-010	107	136-005	97	140-105	28	141-034	28
127-404	23	128-018	96	131-011	107	136-006	97	140-106	28	141-035	28
127-405	23	128-019	96	131-012	107	136-007	97	140-107	28	141-036	28
127-406	23	128-020	96	131-013	107	136-008	97	140-108	28	141-037	28
127-407	23	128-021	96	131-014	107	136-009	97	140-109	28	141-038	28
127-408	23	128-022	96	131-015	107	136-010	97	140-110	28	141-039	28
127-409	23	128-023	96	131-016	107	136-011	97	140-111	28	141-040	28
127-410	23	128-024	96	131-017	107	136-012	97	140-112	28	141-041	28
127-411	23	128-030	96	131-018	107	136-013	97	140-113	28	141-042	28
127-412	23	128-031	96	131-019	107	136-014	97	140-114	28	141-043	28
127-413	23	128-032	96	131-020	107	136-015	97	140-115	28	141-044	28
127-414	23	128-033	96	131-021	107	137-001	101	140-116	28	141-045	28
127-415	23	128-034	96	131-022	107	137-002	101	140-117	28	141-046	28
127-416	23	128-035	96	131-023	107	137-003	101	140-118	28	141-047	28
127-417	23	129-001	96	131-024	107	137-004	101	140-119	28	141-048	28
127-418	23	129-002	96	132-001	110	137-005	101	140-120	28	142-001	28
127-419	23	129-003	96	132-002	110	137-006	101	140-121	28	142-002	28
127-420	23	129-004	96	132-003	110	137-007	101	140-122	28	142-003	28
127-421	23	129-005	96	132-004	110	138-001	101	140-123	28	142-004	28
127-422	23	129-006	96	132-100	110	138-002	101	140-124	28	142-005	28
127-423	23	129-007	96	132-102	110	138-003	101	140-125	28	142-006	28
127-424	23	129-008	96	132-103	110	138-004	101	140-126	28	142-007	28
127-425	23	129-009	96	132-104	110	138-005	101	140-127	28	142-008	28
127-426	23	129-010	96	132-105	110	138-006	101	140-128	28	142-009	28
127-427	23	129-011	96	133-001	110	138-007	101	140-129	28	142-010	28
127-428	23	129-012	96	133-002	110	140-001	28	140-130	28	142-011	28
127-429	23	129-013	96	133-003	110	140-002	28	140-131	28	142-012	28
127-430	23	129-014	96	133-004	110	140-003	28	140-132	28	142-013	28
127-431	23	129-015	96	133-100	110	140-004	28	140-133	28	142-014	28
127-432	23	129-016	96	133-102	110	140-005	28	140-134	28	142-015	28
127-433	23	129-017	96	133-103	110	140-006	28	140-135	28	142-016	28
127-434	23	129-018	96	133-104	110	140-007	28	140-136	28	142-017	28
127-435	23	129-019	96	133-105	110	140-008	28	140-137	28	142-018	28
127-436	23	129-020	96	134-001	116	140-009	28	140-138	28	142-019	28
127-437	23	129-021	96	134-002	116	140-010	28	140-139	28	142-020	28
127-438	23	129-022	96	134-003	116	140-011	28	140-140	28	142-021	28
127-439	23	129-023	96	134-004	116	140-012	28	140-141	28	142-022	28
127-440	23	129-024	96	134-005	116	140-013	28	140-142	28	142-023	28
127-441	23	129-030	96	134-006	116	140-014	28	140-143	28	142-024	28
127-442	23	129-031	96	134-007	116	140-015	28	140-144	28	142-025	28
127-443	23	129-032	96	134-008	116	140-016	28	140-145	28	142-026	28
127-444	23	129-033	96	134-009	116	140-017	28	140-146	28	142-027	28
127-445	23	129-034	96	134-010	116	140-018	28	140-147	28	142-028	28
127-446	23	129-035	96	134-011	116	140-019	28	140-148	28	142-029	28
127-447	23	130-001	103	134-012	116	140-020	28	141-001	28	142-030	28
127-448	23	130-002	103	134-013	116	140-021	28	141-002	28	142-031	28
127-449	23	130-003	103	134-014	116	140-022	28	141-003	28	142-032	28
127-450	23	130-004	103	134-015	116	140-023	28	141-004	28	142-033	28
127-451	23	130-005	103	134-016	116	140-024	28	141-005	28	142-034	28
127-452	23	130-006	103	134-017	116	140-025	28	141-006	28	142-035	28
127-453	23	130-007	103	134-018	116	140-026	28	141-007	28	142-036	28
127-454	23	130-008	103	134-019	116	140-027	28	141-008	28	142-037	28
127-455	23	130-009	103	134-020	116	140-028	28	141-009	28	142-038	28
127-456	23	130-010	103	135-001	116	140-029	28	141-010	28	142-039	28
127-457	23	130-011	103	135-002	116	140-030	28	141-011	28	142-040	28
127-458	23	130-012	103	135-003	116	140-031	28	141-012	28	142-041	28
127-459	23	130-013	103	135-004	116	140-032	28	141-013	28	142-042	28
127-460	23	130-014	103	135-005	116	140-033	28	141-014	28	142-043	28
127-461	23	130-015	103	135-006	116	140-034	28	141-015	28	142-044	28
127-462	23	130-016	103	135-007	116	140-035	28	141-016	28	142-045	28

# Catalogue number index

Catalogue No.	Page	Catalogue No.	Page	Catalogue No.	Page	Catalogue No.	Page	Catalogue No.	Page	Catalogue No.	Page
142-046	28	143-027	28	144-314	29	146-215	122	149-013	116	161-007	122
142-047	28	143-028	28	144-401	29	147-001	122	149-014	116	161-008	122
142-048	28	143-029	28	144-402	29	147-002	122	149-015	116	161-009	122
142-101	28	143-030	28	144-403	29	147-003	122	149-016	116	161-010	122
142-102	28	143-031	28	144-404	29	147-004	122	149-017	116	161-011	122
142-103	28	143-032	28	144-405	29	147-005	122	149-018	116	161-012	122
142-104	28	143-033	28	144-406	29	147-006	122	149-019	116	161-013	122
142-105	28	143-034	28	144-407	29	147-007	122	151-001	101	161-014	122
142-106	28	143-035	28	144-408	29	147-008	122	151-002	101	161-015	122
142-107	28	143-036	28	144-409	29	147-009	122	151-003	101	161-101	122
142-108	28	143-037	28	144-410	29	147-010	122	151-004	101	161-102	122
142-109	28	143-038	28	144-411	29	147-011	122	151-005	101	161-103	122
142-110	28	143-039	28	144-412	29	147-012	122	151-100	133	161-104	122
142-111	28	143-040	28	144-413	29	147-013	122	151-101	133	161-105	122
142-112	28	143-041	28	144-414	29	147-014	122	151-102	133	161-106	122
142-113	28	143-042	28	145-001	104	147-015	122	151-103	133	161-107	122
142-114	28	143-043	28	145-002	104	147-101	122	151-104	133	161-108	122
142-115	28	143-044	28	145-003	104	147-102	122	151-105	133	161-109	122
142-116	28	143-045	28	145-004	104	147-103	122	151-106	133	161-110	122
142-117	28	143-046	28	145-005	104	147-104	122	151-107	133	161-111	122
142-118	28	143-047	28	145-006	104	147-105	122	151-108	133	161-112	122
142-119	28	143-048	28	145-007	104	147-106	122	151-109	133	161-113	122
142-120	28	144-001	29	145-008	104	147-107	122	151-110	133	161-114	122
142-121	28	144-002	29	145-009	104	147-108	122	151-111	133	161-115	122
142-122	28	144-003	29	145-010	104	147-109	122	151-112	133	162-001	122
142-123	28	144-004	29	145-011	104	147-110	122	151-201	133	162-002	122
142-124	28	144-005	29	145-012	104	147-111	122	151-202	133	162-003	122
142-125	28	144-006	29	145-013	104	147-112	122	151-203	133	162-004	122
142-126	28	144-007	29	145-014	104	147-113	122	151-204	133	162-005	122
142-127	28	144-008	29	145-015	104	147-114	122	151-205	133	162-006	122
142-128	28	144-009	29	145-016	104	147-115	122	151-206	133	162-007	122
142-129	28	144-010	29	145-017	104	147-201	122	151-207	133	162-008	122
142-130	28	144-011	29	145-018	104	147-202	122	151-208	133	162-009	122
142-131	28	144-012	29	146-001	122	147-203	122	151-209	133	162-010	122
142-132	28	144-013	29	146-002	122	147-204	122	151-210	133	162-011	122
142-133	28	144-014	29	146-003	122	147-205	122	151-211	133	162-012	122
142-134	28	144-101	29	146-004	122	147-206	122	151-212	133	162-013	122
142-135	28	144-102	29	146-005	122	147-207	122	152-001	102	162-014	122
142-136	28	144-103	29	146-006	122	147-208	122	152-002	102	162-015	122
142-137	28	144-104	29	146-007	122	147-209	122	152-003	102	162-101	122
142-138	28	144-105	29	146-008	122	147-210	122	152-004	102	162-102	122
142-139	28	144-106	29	146-009	122	147-211	122	152-005	102	162-103	122
142-140	28	144-107	29	146-010	122	147-212	122	153-001	132	162-104	122
142-141	28	144-108	29	146-011	122	147-213	122	155-001	109	162-105	122
142-142	28	144-109	29	146-012	122	147-214	122	155-002	109	162-106	122
142-143	28	144-110	29	146-013	122	147-215	122	155-003	109	162-107	122
142-144	28	144-111	29	146-014	122	148-001	116	155-004	109	162-108	122
142-145	28	144-112	29	146-015	122	148-002	116	156-001	109	162-109	122
142-146	28	144-113	29	146-101	122	148-003	116	156-002	109	162-110	122
142-147	28	144-114	29	146-102	122	148-004	116	156-003	109	162-111	122
142-148	28	144-201	29	146-103	122	148-005	116	156-004	109	162-112	122
143-001	28	144-202	29	146-104	122	148-006	116	156-005	109	162-113	122
143-002	28	144-203	29	146-105	122	148-007	116	156-006	109	162-114	122
143-003	28	144-204	29	146-106	122	148-008	116	156-007	109	162-115	122
143-004	28	144-205	29	146-107	122	148-009	116	156-008	109	163-001	116
143-005	28	144-206	29	146-108	122	148-010	116	156-009	109	163-002	116
143-006	28	144-207	29	146-109	122	148-011	116	157-001	109	163-003	116
143-007	28	144-208	29	146-110	122	148-012	116	157-002	109	163-004	116
143-008	28	144-209	29	146-111	122	148-013	116	157-003	109	163-005	116
143-009	28	144-210	29	146-112	122	148-014	116	157-004	109	163-006	116
143-010	28	144-211	29	146-113	122	148-015	116	157-005	109	163-007	116
143-011	28	144-212	29	146-114	122	148-016	116	158-001	119	163-008	116
143-012	28	144-213	29	146-115	122	148-017	116	158-002	119	163-009	116
143-013	28	144-214	29	146-201	122	148-018	116	158-003	119	163-010	116
143-014	28	144-301	29	146-202	122	148-019	116	158-004	119	163-011	116
143-015	28	144-302	29	146-203	122	149-001	116	159-001	132	163-012	116
143-016	28	144-303	29	146-204	122	149-002	116	160-001	110	163-013	116
143-017	28	144-304	29	146-205	122	149-003	116	160-002	110	163-014	116
143-018	28	144-305	29	146-206	122	149-004	116	160-003	110	163-015	116
143-019	28	144-306	29	146-207	122	149-005	116	160-004	110	163-016	116
143-020	28	144-307	29	146-208	122	149-006	116	160-005	110	163-017	116
143-021	28	144-308	29	146-209	122	149-007	116	161-001	122	163-018	116
143-022	28	144-309	29	146-210	122	149-008	116	161-002	122	163-019	116
143-023	28	144-310	29	146-211	122	149-009	116	161-003	122	163-101	116
143-024	28	144-311	29	146-212	122	149-010	116	161-004	122	163-102	116
143-025	28	144-312	29	146-213	122	149-011	116	161-005	122	163-103	116
143-026	28	144-313	29	146-214	122	149-012	116	161-006	122	163-104	116

# Catalogue number index

Catalogue No.	Page	Catalogue No.	Page	Catalogue No.	Page	Catalogue No.	Page	Catalogue No.	Page	Catalogue No.	Page
163-105	116	165-105	116	170-022	11	172-003	11	177-102	115	190-026	39
163-106	116	165-106	116	170-023	11	172-004	11	177-103	115	190-027	39
163-107	116	165-107	116	170-024	11	172-005	11	177-104	115	190-028	39
163-108	116	165-108	116	170-101	11	172-006	11	177-105	115	190-029	39
163-109	116	165-109	116	170-102	11	172-007	11	177-106	115	190-030	39
163-110	116	165-110	116	170-103	11	172-008	11	177-107	115	190-031	39
163-111	116	165-111	116	170-104	11	172-009	11	177-108	115	190-032	39
163-112	116	165-112	116	170-105	11	172-010	11	177-109	115	190-033	39
163-113	116	165-113	116	170-106	11	172-011	11	177-110	115	190-034	39
163-114	116	165-114	116	170-107	11	172-012	11	177-111	115	190-035	39
163-115	116	165-115	116	170-108	11	172-013	11	177-112	115	190-036	39
163-116	116	165-116	116	170-109	11	172-014	11	177-113	115	190-037	39
163-117	116	165-117	116	170-110	11	172-015	11	177-114	115	190-038	39
163-118	116	165-118	116	170-111	11	172-016	11	177-115	115	190-039	39
163-119	116	165-119	116	170-112	11	172-017	11	177-116	115	190-040	39
164-001	116	165-120	116	170-113	11	172-018	11	178-101	119	190-041	39
164-002	116	166-001	116	170-114	11	172-019	11	178-102	119	190-042	39
164-003	116	166-002	116	170-115	11	172-020	11	178-103	119	191-001	39
164-004	116	166-003	116	170-116	11	172-021	11	178-104	119	191-002	39
164-005	116	166-004	116	170-117	11	172-022	11	178-105	119	191-003	39
164-006	116	166-005	116	170-118	11	172-023	11	178-106	119	191-004	39
164-007	116	166-006	116	170-119	11	172-024	11	178-107	119	191-005	39
164-008	116	166-007	116	170-120	11	174-001	11	178-108	119	191-006	39
164-009	116	166-008	116	170-121	11	174-002	11	179-001	119	191-007	39
164-010	116	166-009	116	170-122	11	174-003	11	179-002	119	191-008	39
164-011	116	166-010	116	170-123	11	174-004	11	179-003	119	191-009	39
164-012	116	166-011	116	170-124	11	174-005	11	179-004	119	191-010	39
164-013	116	166-012	116	170-201	11	174-006	11	179-005	119	191-011	39
164-014	116	166-013	116	170-202	11	176-001	115	180-001	41	191-012	39
164-015	116	166-014	116	170-203	11	176-002	115	180-002	41	191-013	39
164-016	116	166-015	116	170-204	11	176-003	115	180-003	41	191-014	39
164-017	116	166-016	116	170-205	11	176-004	115	180-004	41	191-015	39
164-018	116	166-017	116	170-206	11	176-005	115	180-005	41	191-016	39
164-019	116	166-018	116	170-207	11	176-006	115	180-006	41	191-017	39
164-101	116	166-019	116	170-208	11	176-007	115	181-001	41	191-018	39
164-102	116	166-020	116	170-209	11	176-008	115	181-002	41	191-019	39
164-103	116	166-101	116	170-210	11	176-009	115	181-003	41	191-020	39
164-104	116	166-102	116	170-211	11	176-010	115	181-004	41	191-021	39
164-105	116	166-103	116	170-212	11	176-011	115	181-005	41	191-022	39
164-106	116	166-104	116	170-213	11	176-012	115	181-006	41	191-023	39
164-107	116	166-105	116	170-214	11	176-013	115	182-001	41	191-024	39
164-108	116	166-106	116	170-215	11	176-014	115	182-002	41	191-025	39
164-109	116	166-107	116	170-216	11	176-015	115	182-003	41	191-026	39
164-110	116	166-108	116	170-217	11	176-016	115	182-004	41	191-027	39
164-111	116	166-109	116	170-218	11	176-101	115	182-005	41	191-028	39
164-112	116	166-110	116	170-219	11	176-102	115	182-006	41	191-029	39
164-113	116	166-111	116	170-220	11	176-103	115	183-001	41	191-030	39
164-114	116	166-112	116	170-221	11	176-104	115	183-002	41	191-031	39
164-115	116	166-113	116	170-222	11	176-105	115	183-003	41	191-032	39
164-116	116	166-114	116	170-223	11	176-106	115	183-004	41	191-033	39
164-117	116	166-115	116	170-224	11	176-107	115	183-005	41	191-034	39
164-118	116	166-116	116	171-001	11	176-108	115	183-006	41	191-035	39
164-119	116	166-117	116	171-002	11	176-109	115	190-001	39	191-036	39
165-001	116	166-118	116	171-003	11	176-110	115	190-002	39	191-037	39
165-002	116	166-119	116	171-004	11	176-111	115	190-003	39	191-038	39
165-003	116	166-120	116	171-005	11	176-112	115	190-004	39	191-039	39
165-004	116	170-001	11	171-006	11	176-113	115	190-005	39	191-040	39
165-005	116	170-002	11	171-007	11	176-114	115	190-006	39	191-041	39
165-006	116	170-003	11	171-008	11	176-115	115	190-007	39	191-042	39
165-007	116	170-004	11	171-009	11	176-116	115	190-008	39	191-101	39
165-008	116	170-005	11	171-010	11	177-001	115	190-009	39	191-102	39
165-009	116	170-006	11	171-011	11	177-002	115	190-010	39	191-103	39
165-010	116	170-007	11	171-012	11	177-003	115	190-011	39	191-104	39
165-011	116	170-008	11	171-013	11	177-004	115	190-012	39	191-105	39
165-012	116	170-009	11	171-014	11	177-005	115	190-013	39	191-106	39
165-013	116	170-010	11	171-015	11	177-006	115	190-014	39	191-107	39
165-014	116	170-011	11	171-016	11	177-007	115	190-015	39	191-108	39
165-015	116	170-012	11	171-017	11	177-008	115	190-016	39	191-109	39
165-016	116	170-013	11	171-018	11	177-009	115	190-017	39	191-110	39
165-017	116	170-014	11	171-019	11	177-010	115	190-018	39	191-111	39
165-018	116	170-015	11	171-020	11	177-011	115	190-019	39	191-112	39
165-019	116	170-016	11	171-021	11	177-012	115	190-020	39	191-113	39
165-020	116	170-017	11	171-022	11	177-013	115	190-021	39	191-114	39
165-101	116	170-018	11	171-023	11	177-014	115	190-022	39	191-115	39
165-102	116	170-019	11	171-024	11	177-015	115	190-023	39	191-116	39
165-103	116	170-020	11	172-001	11	177-016	115	190-024	39	191-117	39
165-104	116	170-021	11	172-002	11	177-101	115	190-025	39	191-118	39





# Catalogue number index

Catalogue No.	Page	Catalogue No.	Page	Catalogue No.	Page	Catalogue No.	Page	Catalogue No.	Page	Catalogue No.	Page
199-821	125	200-060	61	201-059	61	202-072	61	207-001	98	212-003	123
199-822	125	200-061	61	201-060	61	202-073	61	207-002	98	212-004	123
199-823	125	200-062	61	201-061	61	202-074	61	207-003	98	212-005	123
199-824	125	200-063	61	201-062	61	202-075	61	207-004	98	212-006	123
199-825	125	200-064	61	201-063	61	202-076	61	207-005	98	212-007	123
199-826	125	200-065	61	201-064	61	202-077	61	207-006	98	212-008	123
199-827	125	200-066	61	201-065	61	202-078	61	207-007	98	212-009	123
199-828	125	200-067	61	201-066	61	203-001	105	207-008	98	212-010	123
199-829	125	200-068	61	201-067	61	203-002	105	207-009	98	212-011	123
199-830	125	200-069	61	201-068	61	203-003	105	207-010	98	212-012	123
199-831	125	200-070	61	201-069	61	203-004	105	207-011	98	212-013	123
199-832	125	200-071	61	201-070	61	203-005	105	207-012	98	212-014	123
199-833	125	200-072	61	201-071	61	203-006	105	207-013	98	212-015	123
199-834	125	200-073	61	201-072	61	203-007	105	207-014	98	212-016	123
199-835	125	200-074	61	201-073	61	203-008	105	208-001	106	212-017	123
199-836	125	200-075	61	201-074	61	203-009	105	208-002	106	212-018	123
199-837	125	200-076	61	201-075	61	203-010	105	208-003	106	212-019	123
199-838	125	200-077	61	201-076	61	203-011	105	208-004	106	212-020	123
200-001	60	200-078	61	201-077	61	203-012	105	208-005	106	212-021	123
200-002	60	201-001	60	201-078	61	203-013	105	209-001	134	212-022	123
200-003	60	201-002	60	202-011	60	203-014	105	209-002	134	212-023	123
200-004	60	201-003	60	202-013	60	203-015	105	209-003	134	212-024	123
200-005	60	201-004	60	202-014	60	203-016	105	209-004	134	212-025	123
200-006	60	201-005	60	202-015	60	203-017	105	209-005	134	212-026	123
200-007	60	201-006	60	202-016	60	203-018	105	209-006	134	212-027	123
200-008	60	201-007	60	202-017	60	203-019	105	209-007	134	212-028	123
200-009	60	201-008	60	202-018	60	203-020	105	209-008	134	212-029	123
200-010	60	201-009	60	202-020	60	203-021	105	209-009	134	212-030	123
200-011	60	201-010	60	202-021	60	203-022	105	210-001	123	212-031	123
200-012	60	201-011	60	202-022	60	203-023	105	210-002	123	212-032	123
200-013	60	201-012	60	202-023	60	203-024	105	210-003	123	214-001	134
200-014	60	201-013	60	202-024	60	203-025	105	210-004	123	214-002	134
200-015	60	201-014	60	202-025	60	203-026	105	210-005	123	215-001	134
200-016	60	201-015	60	202-026	60	203-027	105	210-006	123	231-001	117
200-017	60	201-016	60	202-027	60	203-028	105	210-007	123	231-002	117
200-018	60	201-017	60	202-029	60	203-029	105	210-008	123	231-003	117
200-019	60	201-018	60	202-030	60	203-030	105	210-009	123	231-004	117
200-020	60	201-019	60	202-031	60	203-031	105	210-010	123	231-005	117
200-021	60	201-020	60	202-032	60	203-032	105	210-011	123	231-006	117
200-022	60	201-021	60	202-033	60	203-033	105	210-012	123	231-007	117
200-023	60	201-022	60	202-034	60	203-034	105	210-013	123	231-008	117
200-024	60	201-023	60	202-036	60	203-035	105	210-014	123	231-009	117
200-025	60	201-024	60	202-037	60	204-001	104	210-015	123	231-010	117
200-026	60	201-025	60	202-038	60	204-002	104	210-016	123	231-011	117
200-027	60	201-026	60	202-039	60	204-003	104	210-017	123	231-012	117
200-028	60	201-027	60	202-040	61	204-004	104	210-018	123	231-013	117
200-029	60	201-028	60	202-041	61	204-005	104	210-019	123	231-014	117
200-030	60	201-029	60	202-042	61	204-006	104	210-020	123	240-001	63
200-031	60	201-030	60	202-043	61	204-007	104	210-021	123	240-002	63
200-032	60	201-031	60	202-044	61	204-008	104	210-022	123	240-003	63
200-033	60	201-032	60	202-045	61	204-009	104	210-023	123	240-004	63
200-034	60	201-033	60	202-046	61	204-010	104	210-024	123	240-005	63
200-035	60	201-034	60	202-047	61	204-011	104	210-025	123	240-006	63
200-036	60	201-035	60	202-048	61	204-012	104	210-026	123	240-007	63
200-037	60	201-036	60	202-049	61	204-013	104	210-027	123	240-008	63
200-038	60	201-037	60	202-050	61	204-014	104	210-028	123	240-009	63
200-039	60	201-038	60	202-051	61	204-015	104	210-029	123	240-010	63
200-040	61	201-039	60	202-052	61	205-001	106	210-030	123	240-011	63
200-041	61	201-040	61	202-053	61	205-002	106	210-031	123	240-012	63
200-042	61	201-041	61	202-054	61	205-003	106	210-032	123	240-013	63
200-043	61	201-042	61	202-055	61	205-004	106	211-002	120	241-001	63
200-044	61	201-043	61	202-056	61	205-005	106	211-003	120	241-002	63
200-045	61	201-044	61	202-057	61	206-001	98	211-004	120	241-003	63
200-046	61	201-045	61	202-058	61	206-002	98	211-006	120	241-004	63
200-047	61	201-046	61	202-059	61	206-003	98	211-007	120	241-005	63
200-048	61	201-047	61	202-060	61	206-004	98	211-008	120	241-006	63
200-049	61	201-048	61	202-061	61	206-005	98	211-010	120	241-007	63
200-050	61	201-049	61	202-062	61	206-006	98	211-011	120	241-008	63
200-051	61	201-050	61	202-063	61	206-007	98	211-012	120	241-009	63
200-052	61	201-051	61	202-064	61	206-008	98	211-014	120	241-010	63
200-053	61	201-052	61	202-065	61	206-009	98	211-015	120	241-011	63
200-054	61	201-053	61	202-066	61	206-010	98	211-016	120	241-012	63
200-055	61	201-054	61	202-067	61	206-011	98	211-018	120	241-013	63
200-056	61	201-055	61	202-068	61	206-012	98	211-019	120	242-001	63
200-057	61	201-056	61	202-069	61	206-013	98	211-020	120	242-002	63
200-058	61	201-057	61	202-070	61	206-014	98	212-001	123	242-003	63
200-059	61	201-058	61	202-071	61	206-015	98	212-002	123	242-004	63

# Catalogue number index

Catalogue No.	Page	Catalogue No.	Page	Catalogue No.	Page	Catalogue No.	Page	Catalogue No.	Page	Catalogue No.	Page
442-005	72	489-001	114	496-026	126	499-002	117	5.01873.0-30	81	5.11870.0-00	81
442-006	72	489-002	114	496-027	126	499-003	117	5.01874.0-30	81	5.11871.0-00	81
442-007	72	490-001	114	496-028	126	499-004	117	5.01880.0-00	81	5.11872.0-00	81
442-008	72	490-002	114	496-029	126	499-005	117	5.01881.0-00	81	5.11873.0-00	81
442-009	72	490-003	114	496-030	126	499-006	117	5.01882.0-00	81	5.11874.0-00	81
442-010	72	492-001	102	496-031	126	499-007	117	5.01883.0-00	81	5.11880.0-30	81
442-011	72	492-002	102	496-032	126	499-008	117	5.01884.0-00	81	5.11881.0-30	81
442-012	72	492-003	102	496-033	126	499-009	117	5.02010.0-00	82	5.11882.0-30	81
442-013	72	492-004	102	496-034	126	499-010	117	5.02011.0-00	82	5.11883.0-30	81
442-014	72	492-005	102	496-035	126	499-011	117	5.02500.0-07	84	5.11884.0-30	81
442-015	72	492-006	102	496-036	126	499-012	117	5.02501.0-00	84	5.13051.0-00	83
442-016	72	492-007	102	496-037	127	499-013	117	5.02521.0-00	84	5.13051.0-02	83
442-017	72	492-008	102	496-038	127	499-014	117	5.02521.0-03	84	5.13060.0-00	83
442-018	72	492-009	102	496-039	127	499-015	117	5.02521.1-04	84	5.13060.0-01	83
442-019	72	492-010	102	496-040	127	499-016	117	5.02521.1-05	84	5.14000.0-00	82
442-020	72	492-011	102	496-041	127	499-030	117	5.02527.0-00	84	5.14001.0-00	82
460-001	78	492-012	102	496-042	127	499-031	117	5.02527.0-04	84	5.14003.0-00	82
460-002	78	492-013	102	496-043	127	499-032	117	5.02527.1-14	84	5.14005.0-00	82
460-003	78	492-014	102	496-044	127	499-033	117	5.02527.1-15	84	5.14006.0-00	82
460-004	78	492-015	102	496-045	127	499-034	117	5.02540.0-00	84	5.14007.0-00	82
460-005	78	493-001	102	496-046	127	499-035	117	5.02540.0-01	84	5.14008.0-00	82
462-001	78	493-002	102	496-047	127	499-036	117	5.02540.1-00	84	5.174474	43
462-002	78	493-003	102	496-048	127	499-037	117	5.02540.1-01	84	5.174475	43
462-003	78	493-004	102	496-049	127	499-038	117	5.02541.0-00	84	5.174476	43
462-004	78	493-005	102	496-050	127	499-039	117	5.02541.0-01	84	5.20020240	89
462-005	78	493-006	102	496-051	127	499-040	117	5.02541.1-00	84	5.20020480	89
464-001	78	493-007	102	496-052	127	499-041	117	5.02541.1-01	84	5.20190240	89
464-002	78	493-008	102	496-053	127	499-042	117	5.02600.0-00	84	5.20190480	89
464-003	78	493-009	102	496-054	127	499-043	117	5.02601.0-00	84	5.20200240	89
464-004	78	493-010	102	496-055	127	499-044	117	5.02610.0-00	84	5.20200480	89
464-005	78	493-011	102	496-056	127	499-045	117	5.02700.0-00	83	5.20250241	89
465-001	112	493-012	102	496-057	127	5.01000.0-00	80	5.02701.0-00	83	5.20250481	89
465-002	112	493-013	102	496-058	127	5.01001.0-00	80	5.02800.0-00	83	5.28400.0-00	81
465-003	112	493-014	102	496-059	127	5.01115.0-00	80	5.02800.0-01	83	5.28400.0-01	81
465-004	112	493-015	102	496-060	127	5.01116.0-00	80	5.02810.0-00	83	5.28401.0-00	81
466-001	112	494-001	102	496-101	110	5.01140.0-00	80	5.02810.0-01	83	5.3050303	86
466-002	112	494-002	102	496-102	110	5.01141.0-00	80	5.02811.0-00	83	5.3050305	86
466-003	112	494-003	102	496-103	110	5.01142.0-00	80	5.02811.0-01	83	5.3102303	86
467-001	112	494-004	102	496-104	110	5.01143.0-00	80	5.03051.0-00	83	5.3102305	86
467-002	112	494-005	102	496-105	110	5.01156.0-00	80	5.03060.0-00	83	5.3152303	86
467-003	112	494-006	102	496-106	110	5.01157.0-00	80	5.03060.0-01	83	5.3152305	86
467-004	112	494-007	102	496-107	110	5.01158.0-00	80	5.03102.0-00	83	5.3152308	86
468-001	112	494-008	102	496-108	110	5.01159.0-00	80	5.03103.0-00	83	5.3152310	86
468-002	112	494-009	102	496-109	110	5.01160.0-00	80	5.03113.0-00	83	5.3200303	86
468-003	112	494-010	102	496-110	110	5.01160.0-01	80	5.03114.0-00	83	5.3200305	86
469-001	112	494-011	102	496-111	110	5.01161.0-00	80	5.03115.0-00	83	5.3200308	86
469-002	112	494-012	102	498-001	127	5.01161.0-01	80	5.03201.0-00	83	5.3200310	86
469-003	112	494-013	102	498-002	127	5.01161.0-02	80	5.03201.0-01	83	5.4050870	87
470-001	112	494-014	102	498-003	127	5.01163.0-00	80	5.03202.0-00	83	5.42660001	88
470-002	112	494-015	102	498-004	127	5.01163.0-01	80	5.03202.0-01	83	5.42661001	88
470-003	112	495-001	113	498-005	127	5.01164.0-00	80	5.03209.0-00	83	5.42670001	88
473-001	113	495-002	113	498-006	127	5.01170.0-00	80	5.03209.0-01	83	5.42671001	88
473-002	113	496-001	126	498-007	127	5.01170.0-02	80	5.04640.0-00	83	5.42680001	88
480-001	139	496-002	126	498-008	127	5.01172.0-00	80	5.04640.1-00	83	5.42681001	88
480-002	139	496-003	126	498-009	127	5.01173.0-00	80	5.04640.2-00	83	5.42690001	88
481-001	139	496-004	126	498-010	127	5.01174.0-00	80	5.04641.0-00	83	5.42690801	87
481-002	139	496-005	126	498-011	127	5.01175.0-00	80	5.04641.2-00	83	5.42691001	88
482-001	138	496-006	126	498-012	127	5.01176.0-00	80	5.04700.0-00	82	5.42700001	88
482-002	138	496-007	126	498-013	127	5.01180.0-00	80	5.04701.0-00	82	5.42701001	88
482-003	138	496-008	126	498-014	127	5.01181.0-00	80	5.04702.0-00	82	5.42702001	88
482-004	138	496-009	126	498-015	127	5.01190.0-00	80	5.06000.0-00	82	5.42710001	88
483-001	138	496-010	126	498-016	127	5.01220.0-00	80	5.06001.0-00	82	5.42711001	88
483-002	138	496-011	126	498-017	127	5.01230.0-00	80	5.06002.0-00	82	5.42712001	88
483-003	138	496-012	126	498-018	127	5.01245.0-00	80	5.06010.0-00	82	5.42720001	88
483-004	138	496-013	126	498-019	128	5.01246.0-00	80	5.06011.0-00	82	5.42721001	88
485-001	113	496-014	126	498-020	128	5.01602.0-00	82	5.06012.0-00	82	5.42722001	88
485-002	113	496-015	126	498-021	128	5.01609.0-00	82	5.06020.0-00	82	5.42740001	88
485-003	113	496-016	126	498-022	128	5.01610.0-00	82	5.06021.0-00	82	5.42741001	88
485-004	113	496-017	126	498-023	128	5.01800.0-00	81	5.06022.0-00	82	5.42742001	88
485-005	113	496-018	126	498-024	128	5.01801.0-00	81	5.06030.0-00	82	5.43040001	85
485-006	113	496-019	126	498-025	128	5.01802.0-00	81	5.06040.0-00	82	5.43041001	85
485-007	113	496-020	126	498-026	128	5.01803.0-00	81	5.08400.0-04	81	5.43042001	85
486-001	129	496-021	126	498-027	128	5.01804.0-00	81	5.09520.0-00	84	5.43050001	85
487-001	114	496-022	126	498-028	128	5.01805.0-00	81	5.11800.0-00	81	5.43051001	85
487-002	114	496-023	126	498-029	128	5.01870.0-30	81	5.11801.0-00	81	5.43052001	85
488-001	114	496-024	126	498-030	128	5.01871.0-30	81	5.11802.0-00	81	5.43080001	85
488-002	114	496-025	126	499-001	117	5.01872.0-30	81	5.11803.0-00	81	5.43081001	85

Catalogue No.	Page	Catalogue No.	Page	Catalogue No.	Page	Catalogue No.	Page	Catalogue No.	Page
5.43082001	85	5.8120131	37	5.SKRD-520/600/2	49	5-900-073	136	912-055	131
5.43090001	85	5.8120132	37	5.SKRD-520/800/1	49	5-900-074	136	912-056	131
5.43091001	85	5.8120132	37	5.SKRD-520/800/2	49	5-900-075	136	912-057	131
5.43092001	85	5.8120137	37	5.SKRD-520/800/2	49	5-900-076	136	912-058	132
5.43100001	85	5.8120137	37	5.SKRD-520/800/4	49	5-900-077	136	912-059	132
5.43101001	85	5.8120139	37	5.SKRD-800/400/1	49	5-904-001	111	912-060	132
5.43102001	85	5.8120139	37	5.SKRD-800/400/2	49	5-905-001	139	912-061	132
5.43150001	85	5.FŽ1025	129	5.SKRD-800/600/1	49	5-905-002	139	912-062	132
5.43151001	85	5.FŽ1025M	129	5.SKRD-800/600/1	49	5-905-003	139	912-063	132
5.43152001	85	5.FŽ1040	129	5.SKRD-800/800/3	49	5-905-004	139	913-050	136
5.43200001	85	5.FŽ1040M	129	5.SKRD-800/800/4	49	5-905-005	139	915-001	91
5.43201001	85	5.FŽ1041M	129	5.SKRF-260/400/1	49	5-907-001	139	915-002	91
5.43202001	85	5.FŽ1254	129	5.SKRF-260/600/1	49	5-907-002	139	915-003	91
5.43250001	85	5.FŽ4025	129	5.SKRF-260/800/2	49	5-907-003	139	916-001	92
5.43251001	85	5.FŽ4025M	129	5.SKRF-400/400/1	49	5-907-004	139	916-002	92
5.43252001	85	5.FŽ4040	129	5.SKRF-400/600/1	49	5-907-005	139	916-003	92
5.43300001	85	5.FŽ4040M	129	5.SKRF-400/800/1	49	5-920-001	111	916-004	92
5.43301001	85	5.FŽ5025	129	5.SKRF-400/800/2	49	5-920-002	111	916-005	92
5.43302001	85	5.FŽ5025M	129	5.SKRF-400/800/3	49	5-920-003	111	916-006	92
5.43400001	85	5.FŽ5040	129	5.SKRF-400/800/4	49	5-920-004	111	916-007	92
5.44820001	89	5.FŽ5040M	129	5.SKRF-400/800/1	49	5-920-005	111	916-008	92
5.44821001	89	5.FŽ6025	129	5.SKRF-400/800/2	49	5-920-006	111	917-001	93
5.45330001	89	5.FŽ6025M	129	5.SKRF-400/800/3	49	5-924-001	111	918-001	93
5.45340001	89	5.FŽ6040	129	5.SKRF-400/800/4	49	5-924-002	111	918-002	93
5.45350001	89	5.FŽ6040M	129	5.SKRF-400/800/1	49	5-924-003	111	918-003	93
5.45351001	89	5.FŽ8025	129	5.SKRF-400/800/2	49	5-924-004	111	918-004	93
5.45550001	89	5.FŽ8025M	129	5.SKRF-520/400/1	49	5-924-005	111	918-005	93
5.45551001	89	5.FŽ8040	129	5.SKRF-520/400/2	49	5-924-006	111	918-030	92
5.45552001	89	5.FŽ8040M	129	5.SKRF-520/400/3	49	5-925-001	111	918-031	92
5.570400001	87	5.FŽ8525	129	5.SKRF-520/400/4	49	5-925-002	111	918-035	93
5.570500001	87	5.FŽ8525M	129	5.SKRF-520/400/1	49	5-925-003	111	918-036	93
5.570510001	87	5.FŽ8540	129	5.SKRF-520/400/2	49	5-925-004	111	918-037	93
5.570520001	87	5.FŽ8540M	129	5.SKRF-520/400/3	49	5-925-005	111	918-038	93
5.570800001	87	5.HTB-10	121	5.SKRF-520/400/4	49	5-925-006	111	918-039	93
5.570810001	87	5.HTC-0	121	5.SKRF-520/600/1	49	600-001	43	918-040	93
5.570820001	87	5.HTC-16	121	5.SKRF-520/600/2	49	600-002	43	918-050	130
5.570900001	87	5.HTC-17	121	5.SKRF-520/600/3	49	600-003	43	918-051	130
5.570910001	87	5.HTC-25	121	5.SKRF-520/600/4	49	601-001	43	918-052	131
5.570920001	87	5.HTC-3	121	5.SKRF-520/800/1	49	601-002	43	918-053	131
5.571000001	87	5.HTC-35	121	5.SKRF-520/800/2	49	601-003	43	918-054	130
5.571010001	87	5.HTC-50	121	5.SKRF-520/800/3	49	602-001	43	918-055	130
5.571020001	87	5.HTCK-28	121	5.SKRF-520/800/4	49	602-002	43	918-056	131
5.571500001	87	5.HTCK-43	121	5.SKRF-800/400/1	49	602-003	43	918-057	130
5.571510001	87	5.HTK-26	121	5.SKRF-800/400/2	49	901-001	132	918-058	130
5.571520001	87	5.HTKC-36	121	5.SKRF-800/400/3	49	901-002	132	918-059	130
5.572000001	87	5.HTX-1	121	5.SKRF-800/600/1	49	901-003	132	918-060	130
5.572010001	87	5.HTX-23	121	5.SKRF-800/600/2	49	901-004	132	918-061	130
5.572020001	87	5.RIT-50	121	5.SKRF-800/600/3	49	911-000	90	918-062	130
5.572600001	87	5.S/ M5930016726	88	5.SKRF-800/600/4	49	911-001	90	921-001	91
5.572610001	87	5.S/ M5930017544	88	5.SKRF-800/800/1	49	911-002	90	921-002	91
5.572620001	87	5.S/ M5930017545	88	5.SKRF-800/800/2	49	911-003	90	922-001	137
5.573100001	87	5.S/ M5930017544	88	5.SKRF-800/800/3	49	911-004	90	922-002	137
5.573110001	87	5.S/ M5930017545	88	5.SKRF-800/800/4	49	911-005	90	922-006	134
5.573120001	87	5.S/ M5930018030	88	5.SKRF-800/800/1	137	911-006	90	922-007	134
5.574100001	87	5.S/ M5930018050	88	5-900-001	137	911-007	90	922-008	134
5.8120002	37	5.S/ M5930019200	88	5-900-003	137	911-008	90	922-009	134
5.8120006	37	5.S/ M5930019506	88	5-900-004	137	911-009	90	922-010	134
5.8120006N	37	5.SKRD-260/400/1	49	5-900-005	138	911-010	90	923-001	92
5.8120007	37	5.SKRD-260/600/1	49	5-900-006	138	911-011	90	923-002	92
5.8120007N	37	5.SKRD-260/800/1	49	5-900-007	138	911-012	130	923-003	92
5.8120011	37	5.SKRD-260/800/2	49	5-900-008	136	911-013	132		
5.8120011N	37	5.SKRD-400/400/1	49	5-900-009	136	911-014	132		
5.8120012	37	5.SKRD-400/400/1	49	5-900-010	136	911-015	132		
5.8120012N	37	5.SKRD-400/600/1	49	5-900-011	128	911-017	132		
5.8120017	37	5.SKRD-400/800/1	49	5-900-012	111	911-023	92		
5.8120017N	37	5.SKRD-400/800/2	49	5-900-013	137	911-024	92		
5.8120019	37	5.SKRD-400/800/1	49	5-900-014	137	911-025	92		
5.8120122	37	5.SKRD-400/800/2	49	5-900-015	111	911-026	131		
5.8120122N	37	5.SKRD-520/400/1	49	5-900-016	111	911-027	130		
5.8120126	37	5.SKRD-520/400/1	49	5-900-017	93	911-028	92		
5.8120126N	37	5.SKRD-520/400/2	49	5-900-018	93	911-029	90		
5.8120127	37	5.SKRD-520/400/2	49	5-900-019	93	911-101	93		
5.8120127N	37	5.SKRD-520/600/1	49	5-900-020	137	912-003	91		
5.8120131	37	5.SKRD-520/600/1	49	5-900-058	138	912-004	91		
				5-900-061	136	912-006	91		
				5-900-071	136	912-053	131		
				5-900-072	136	912-054	131		